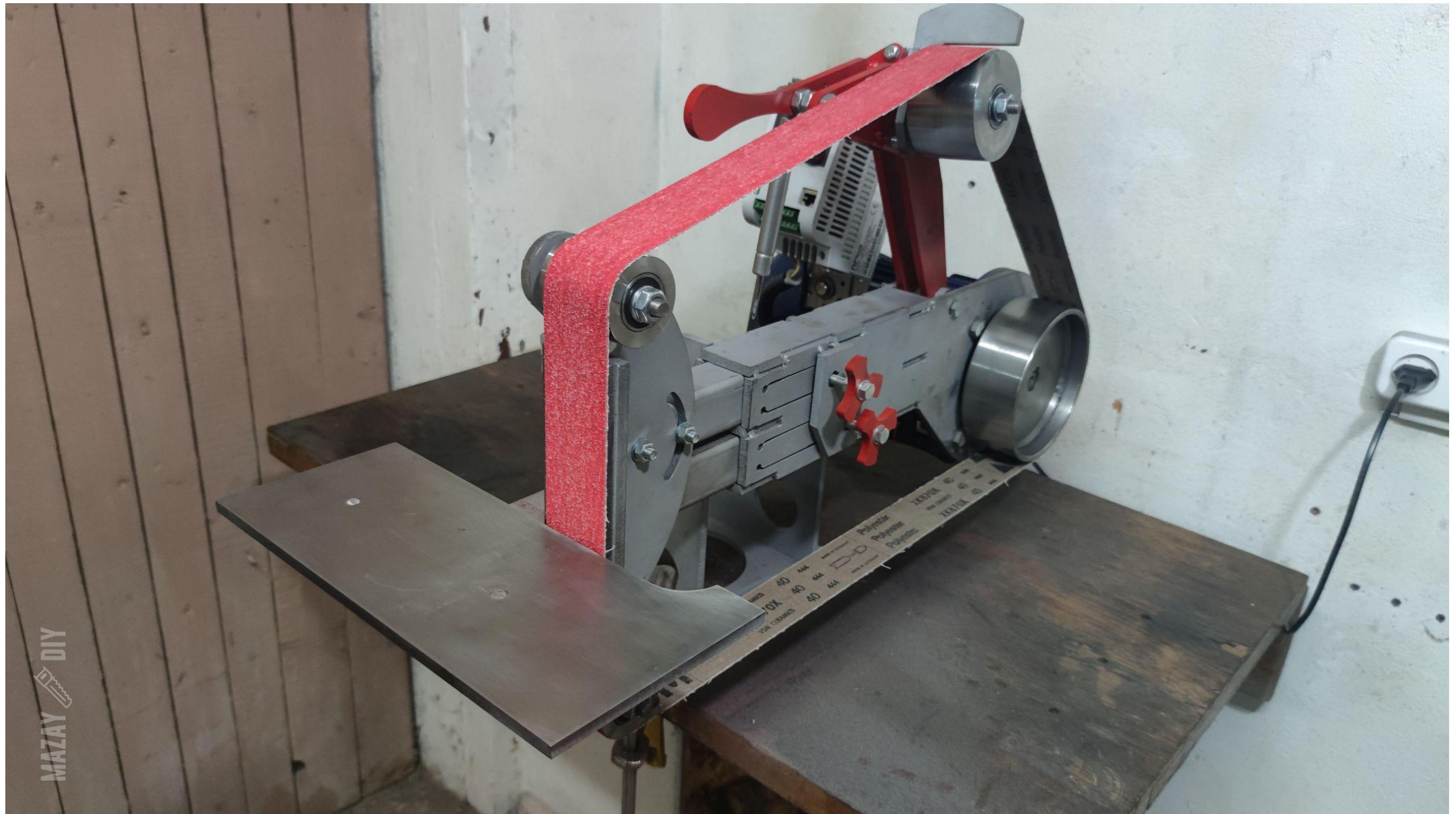
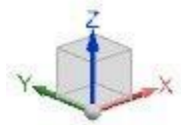
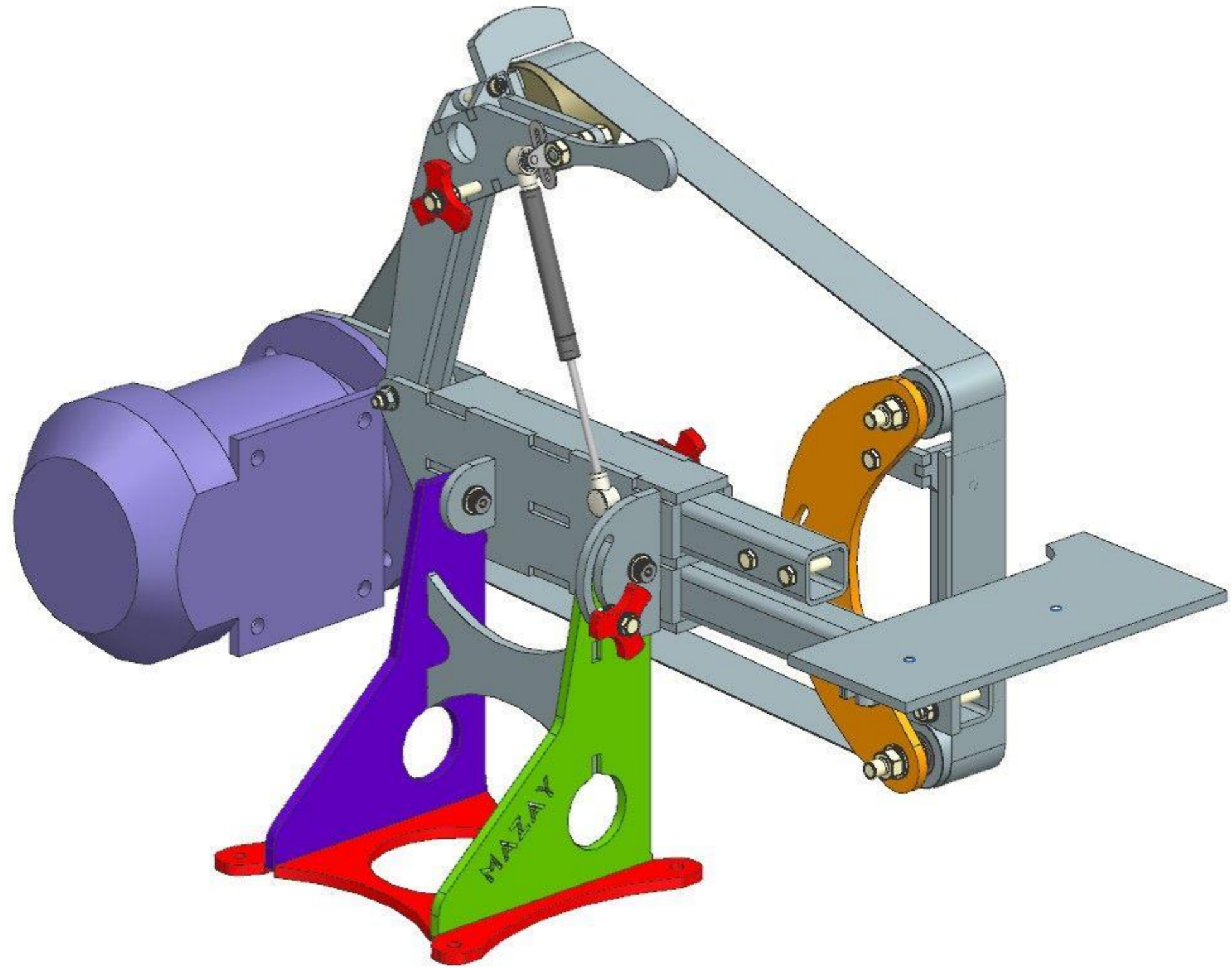
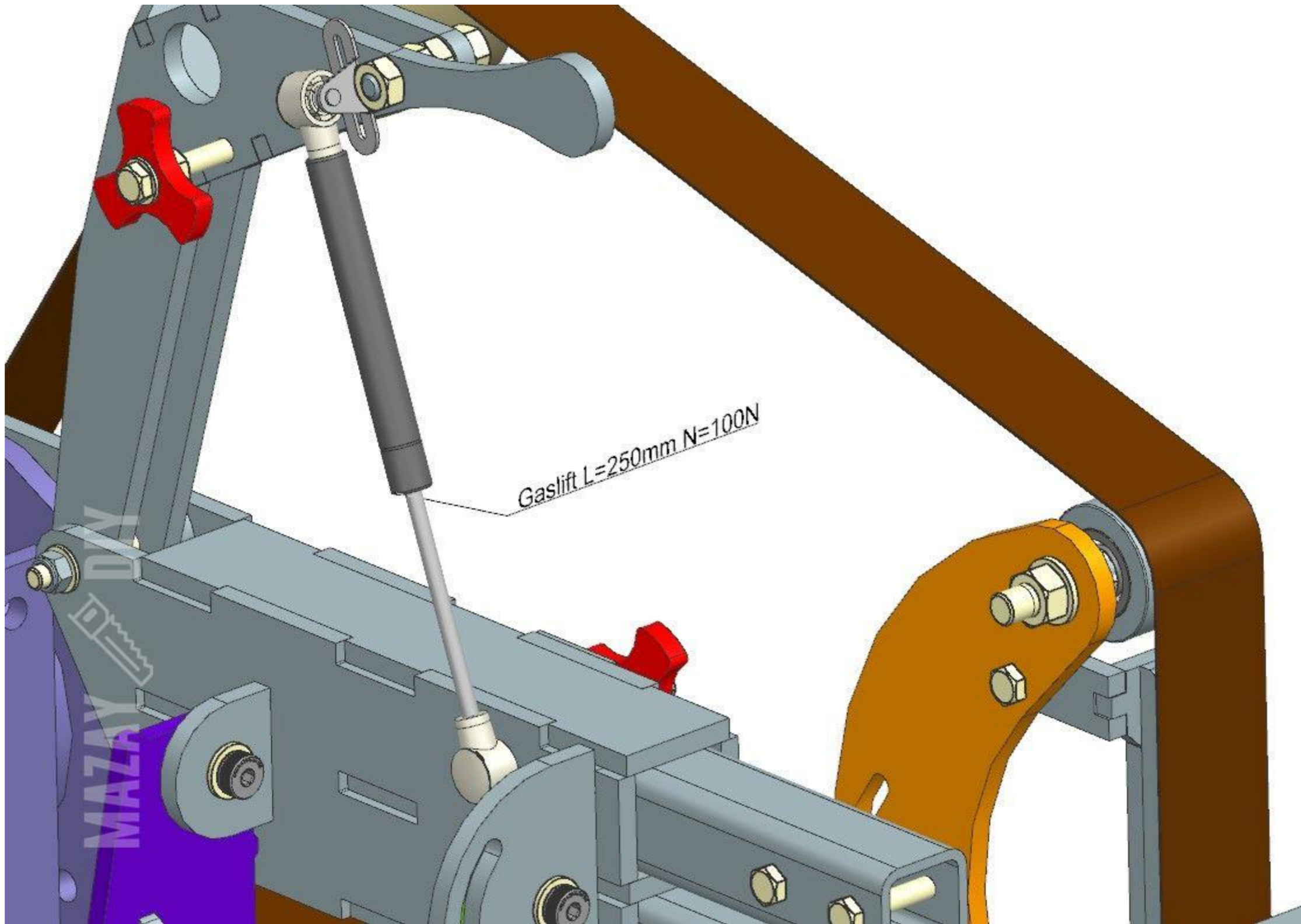
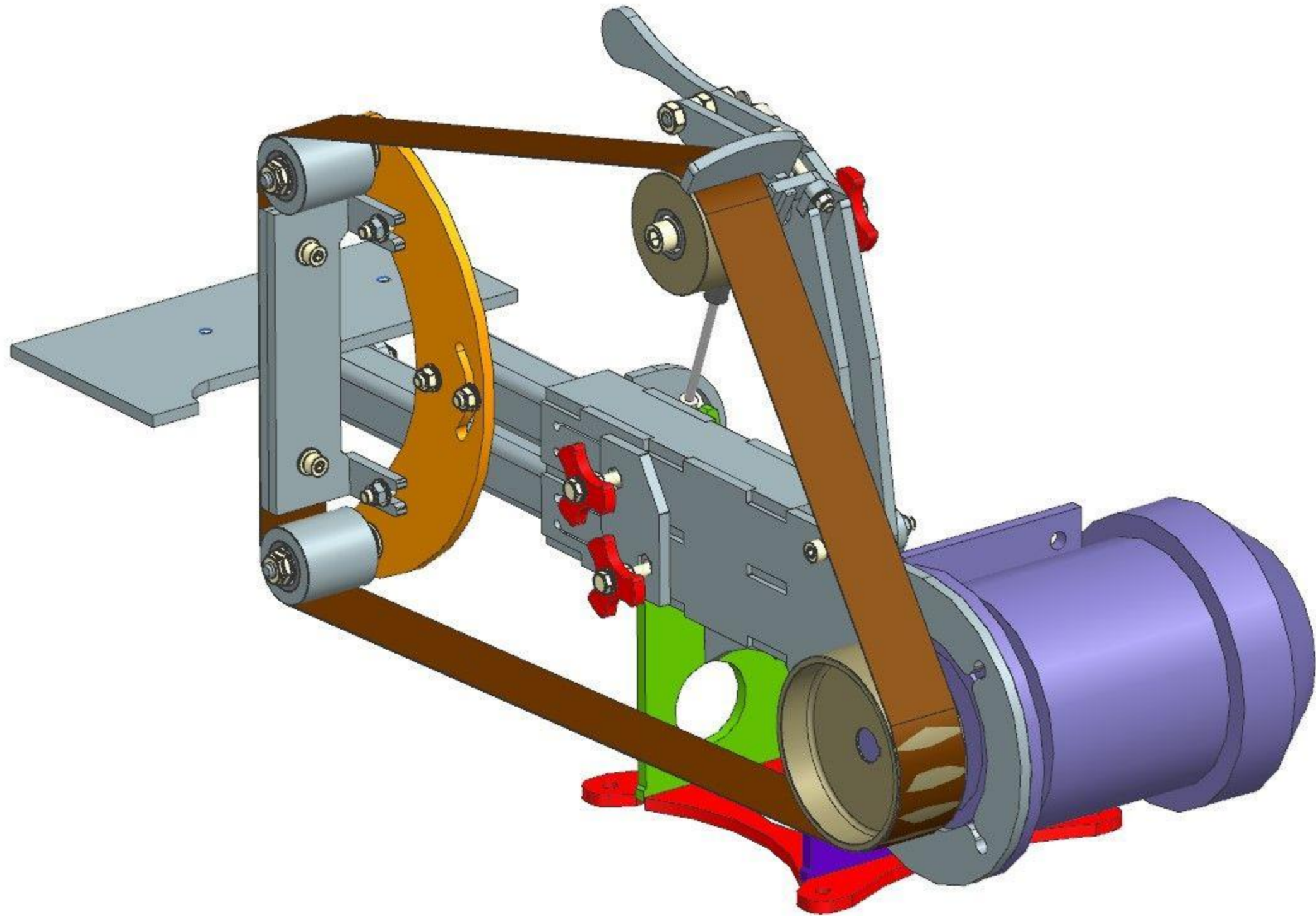
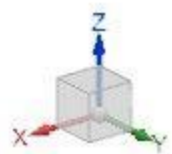


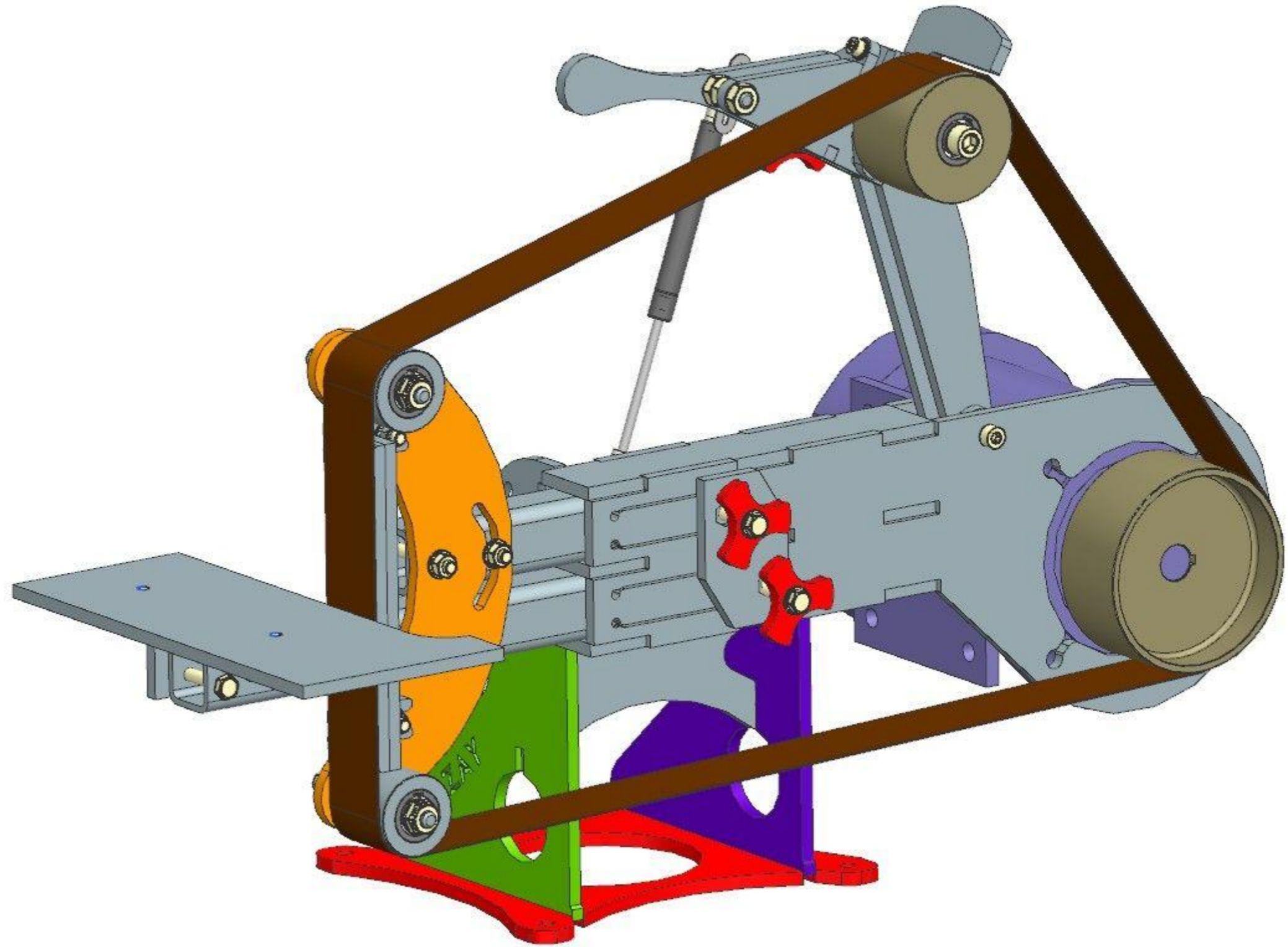
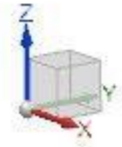
DIY 2x72 Tilting Belt Grinder for Knifemaking | Plans with dimensions

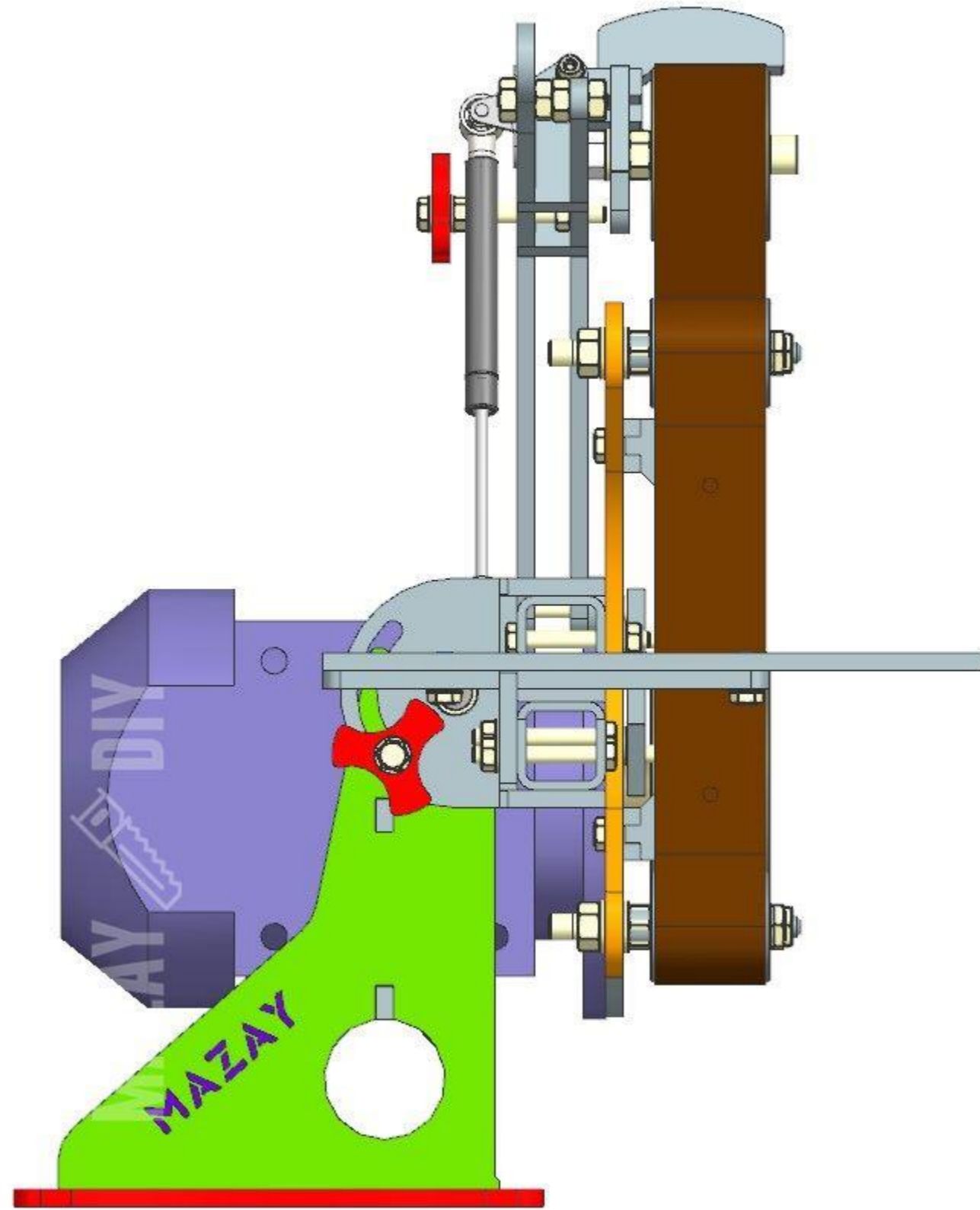


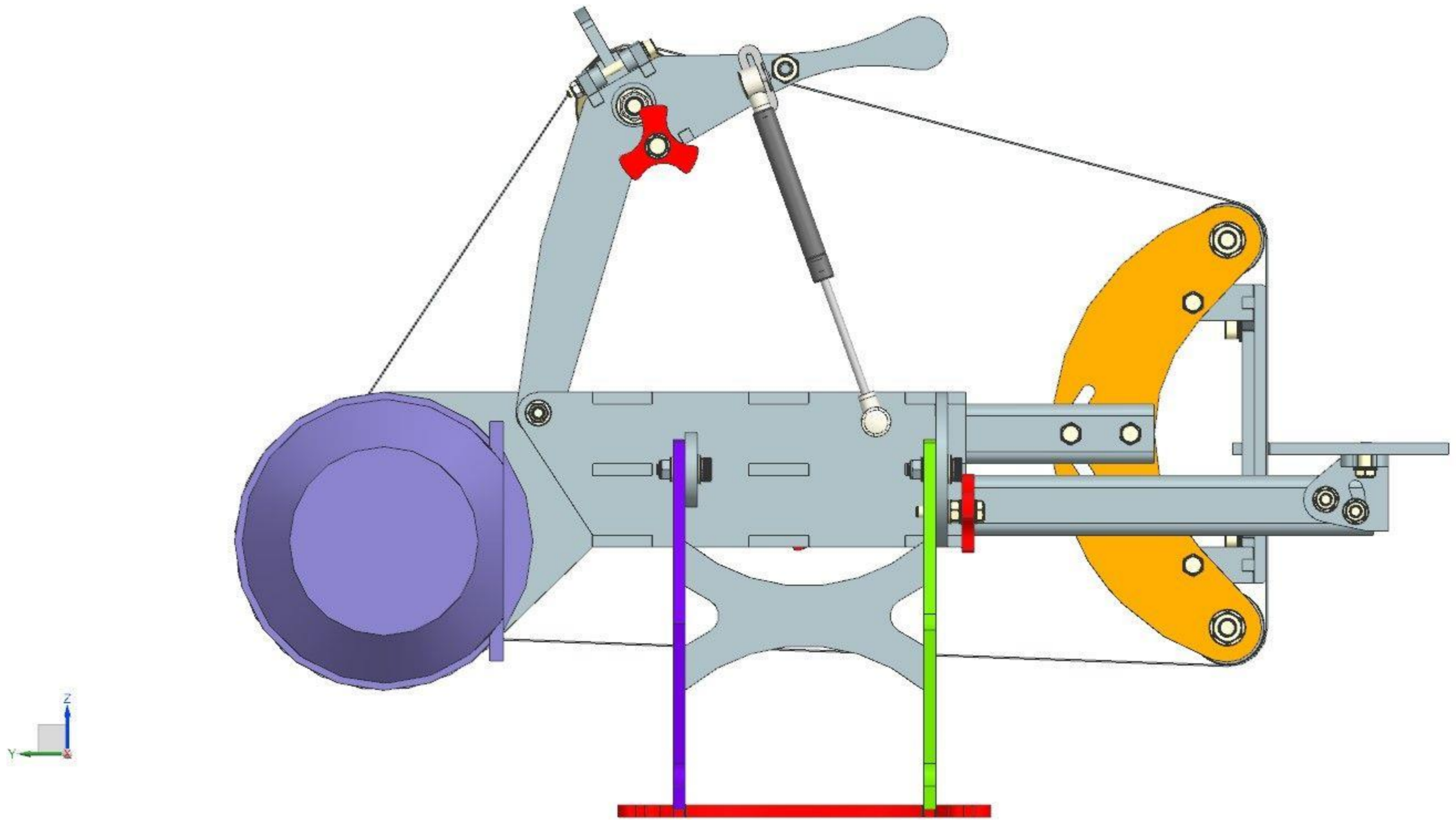


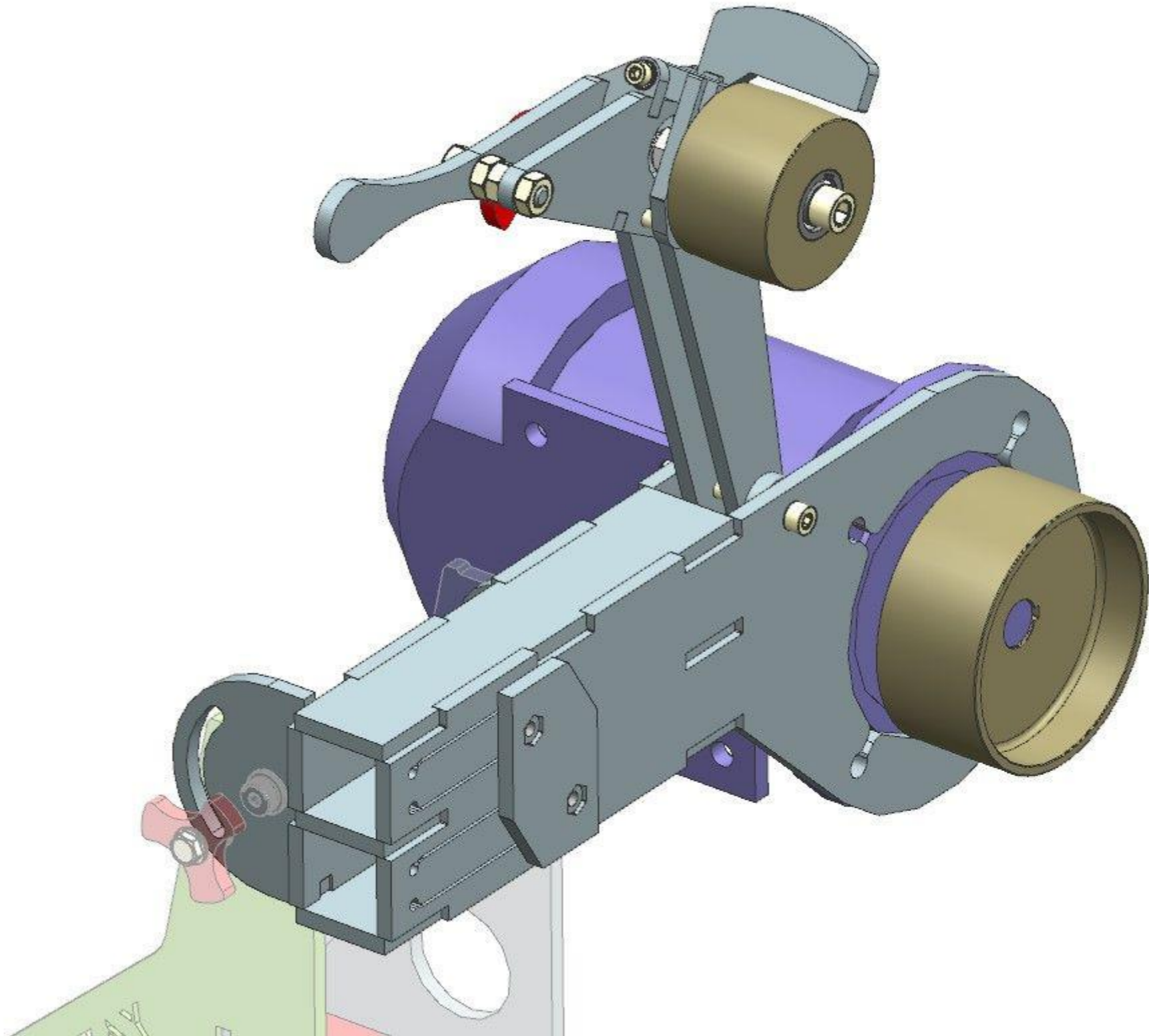


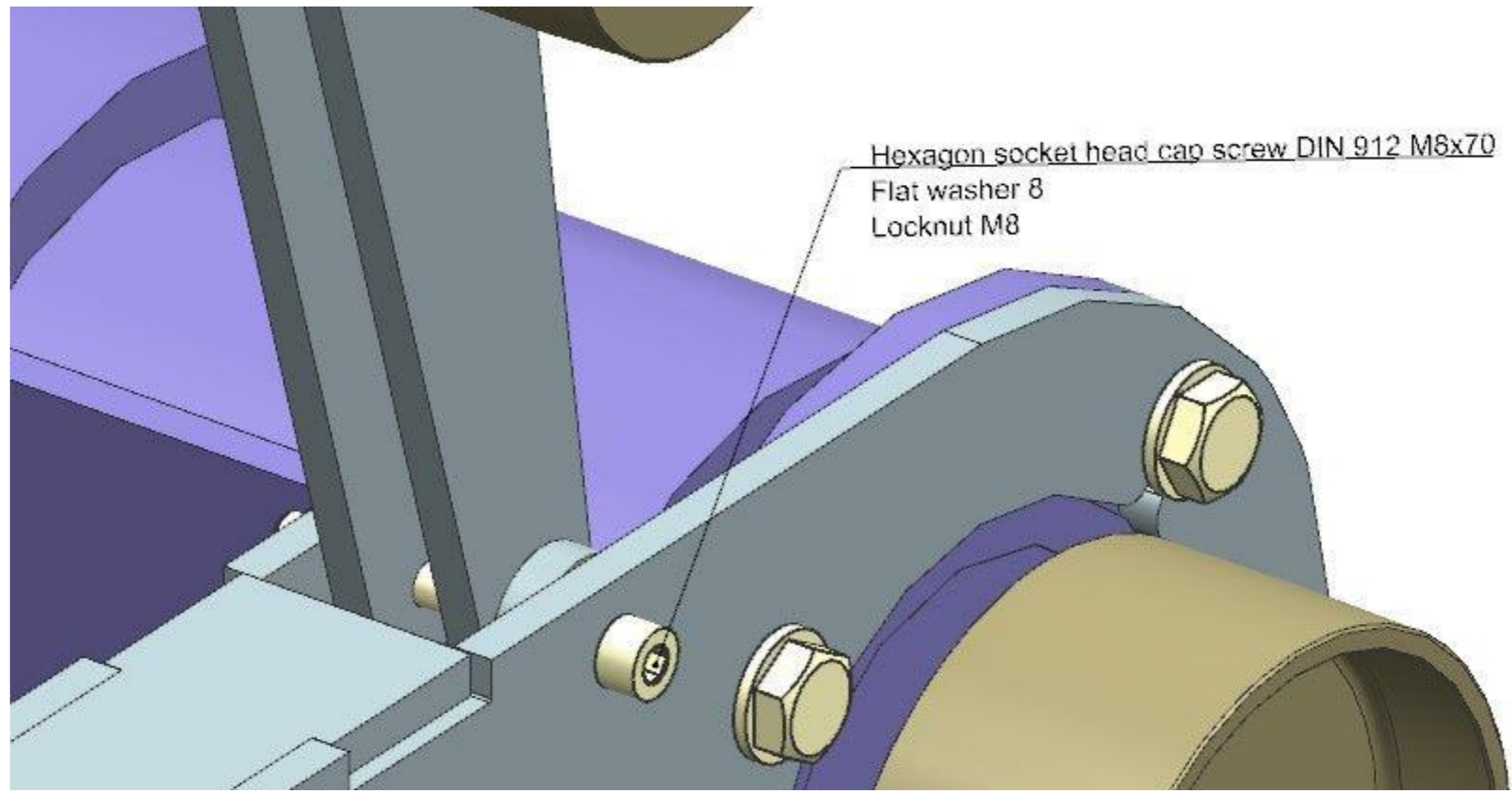


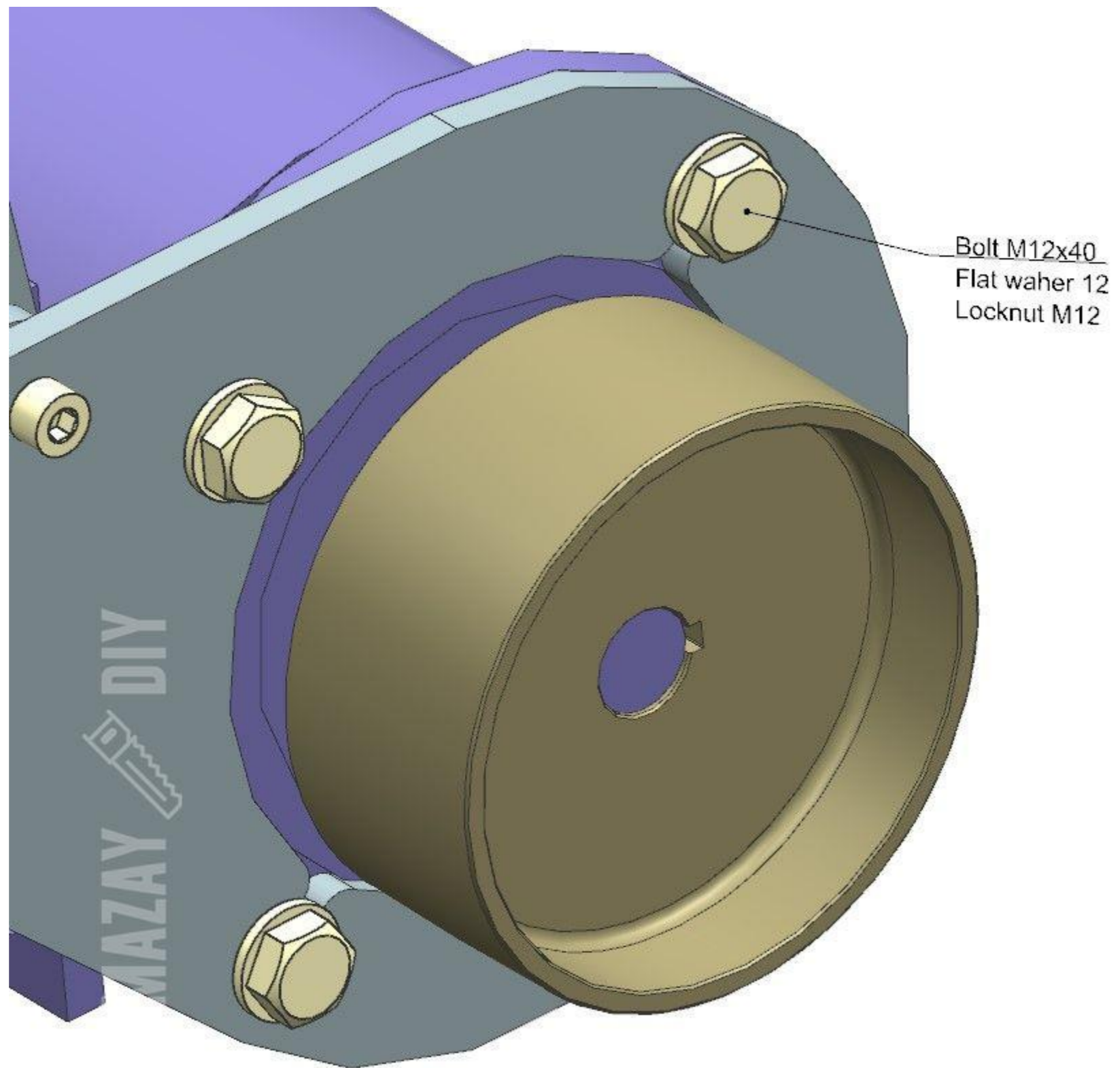


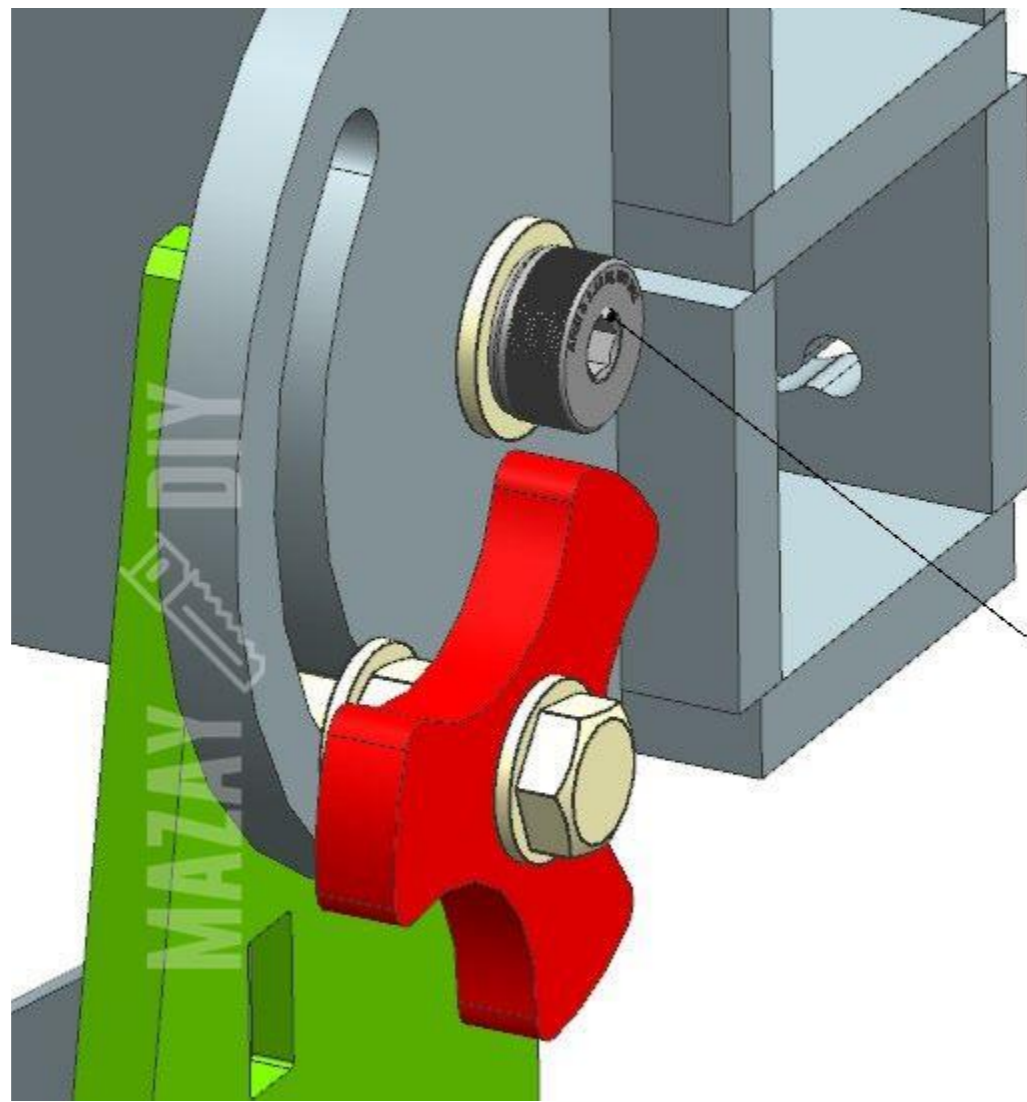




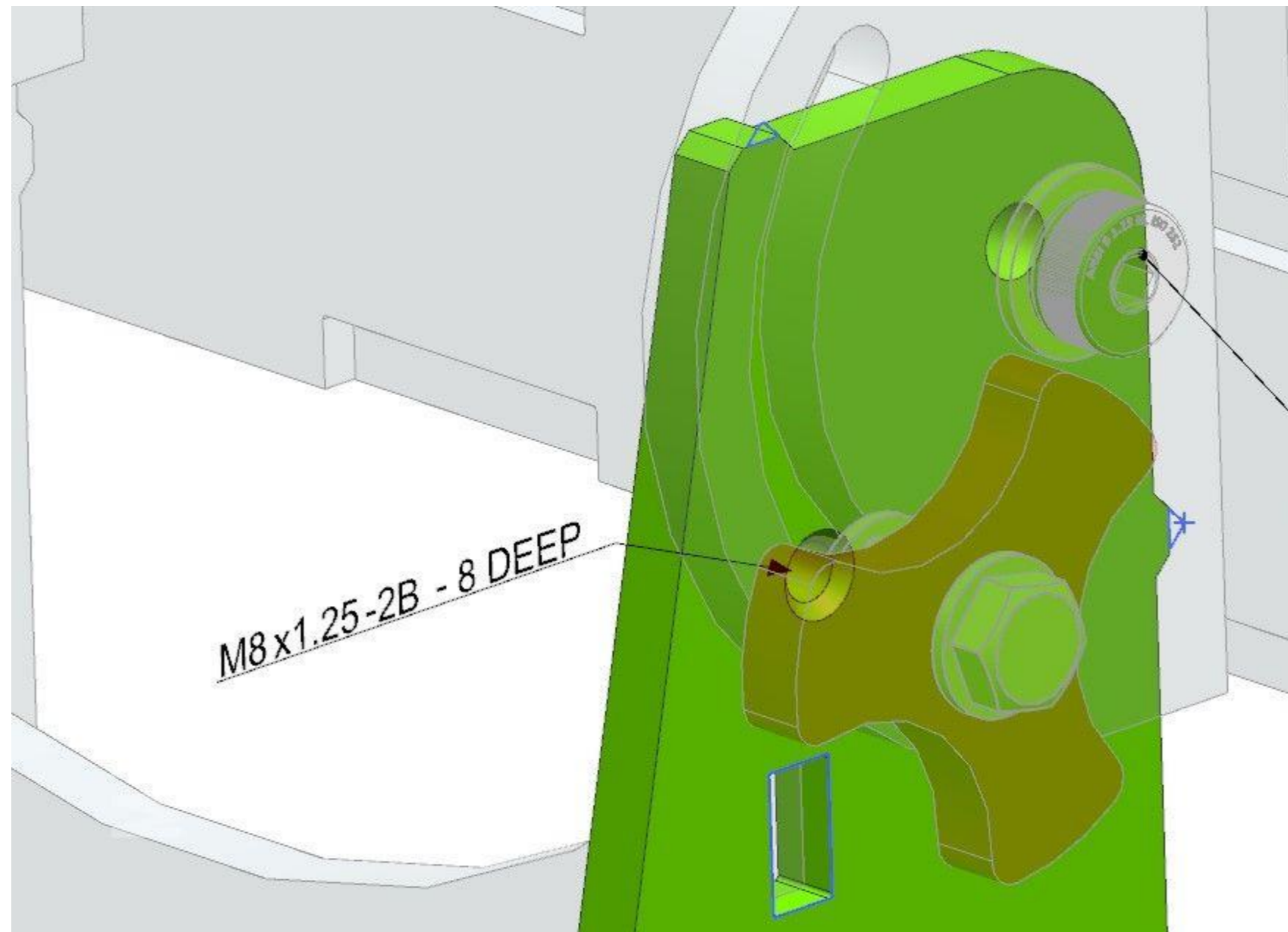


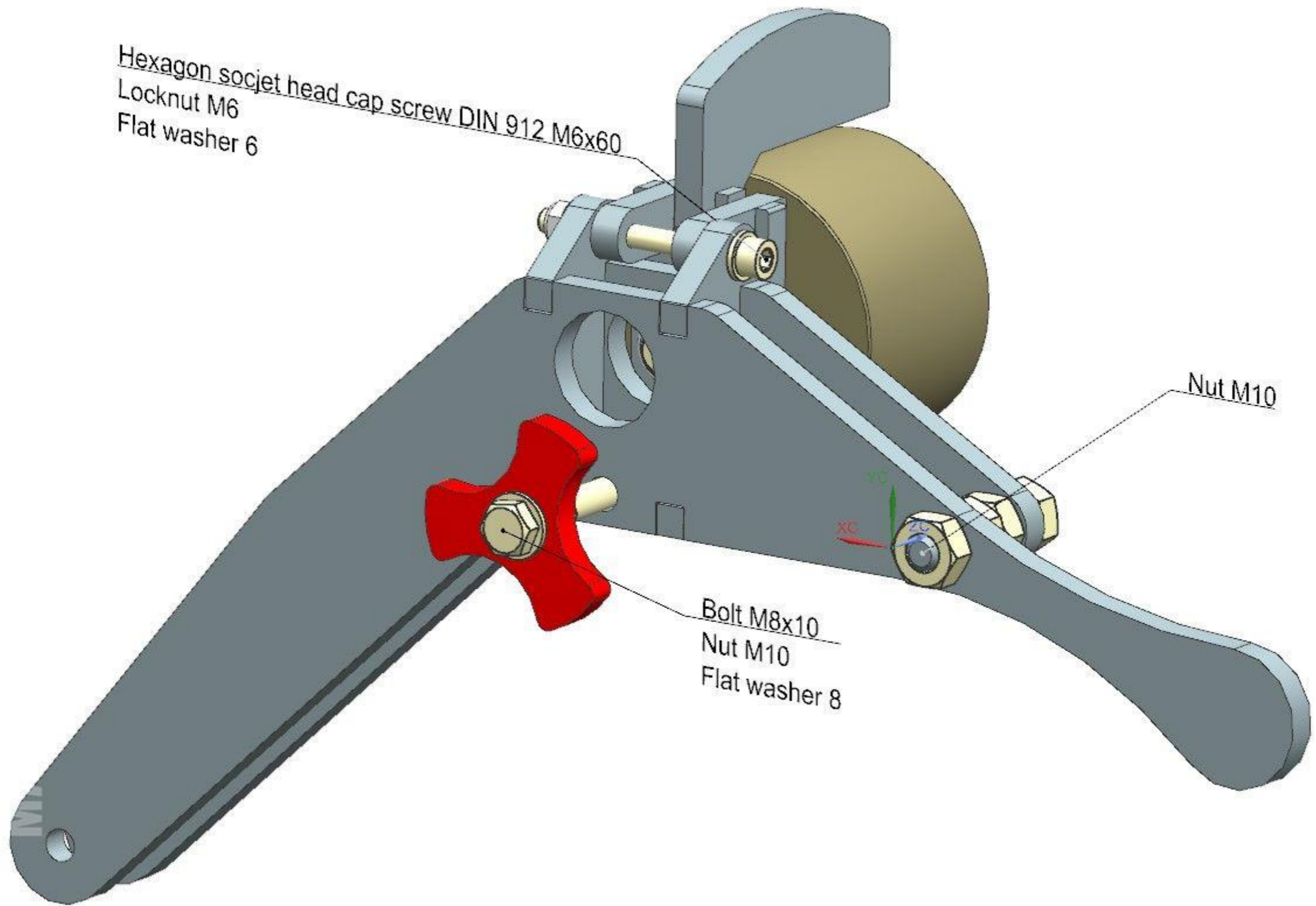


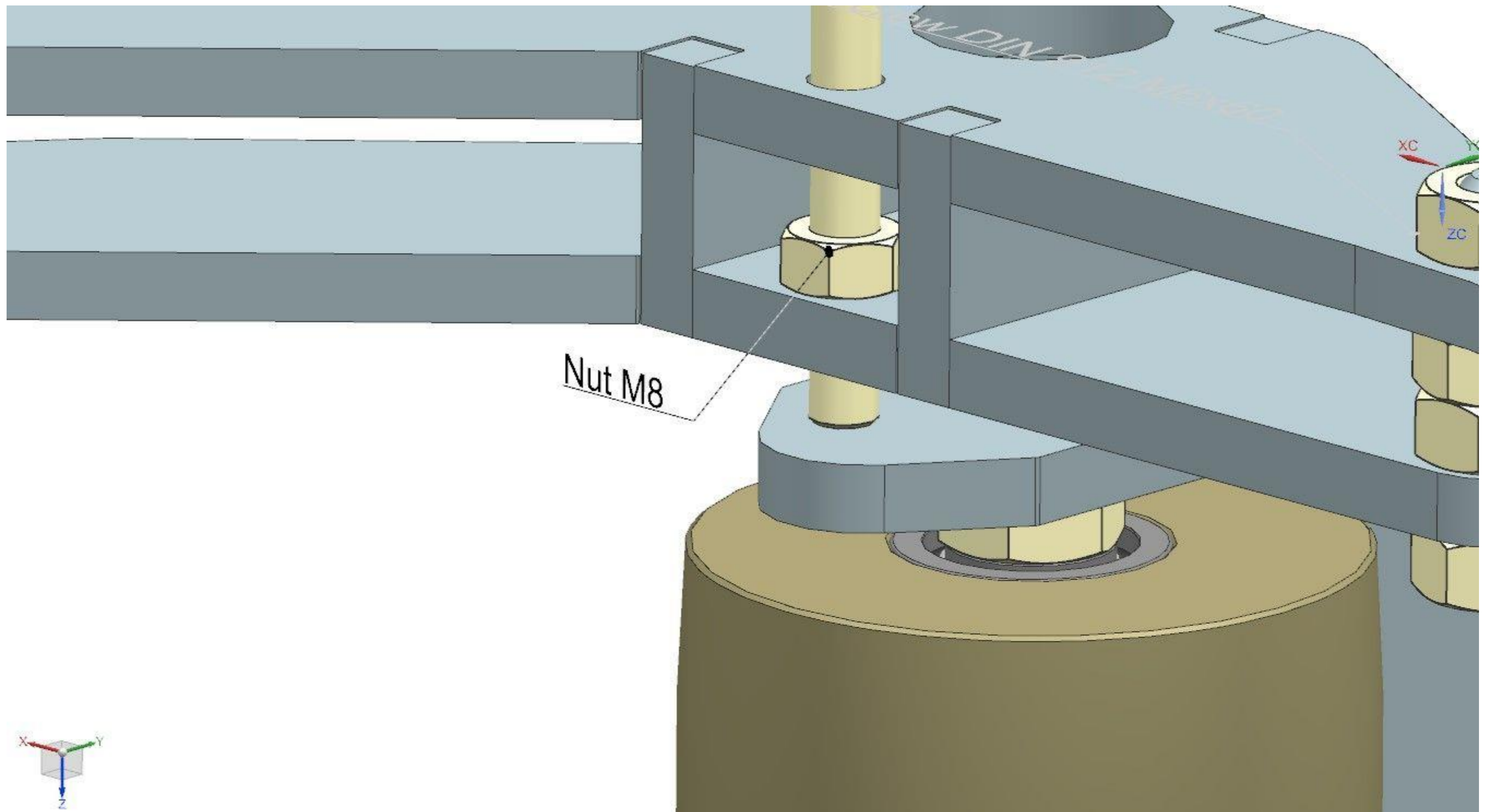


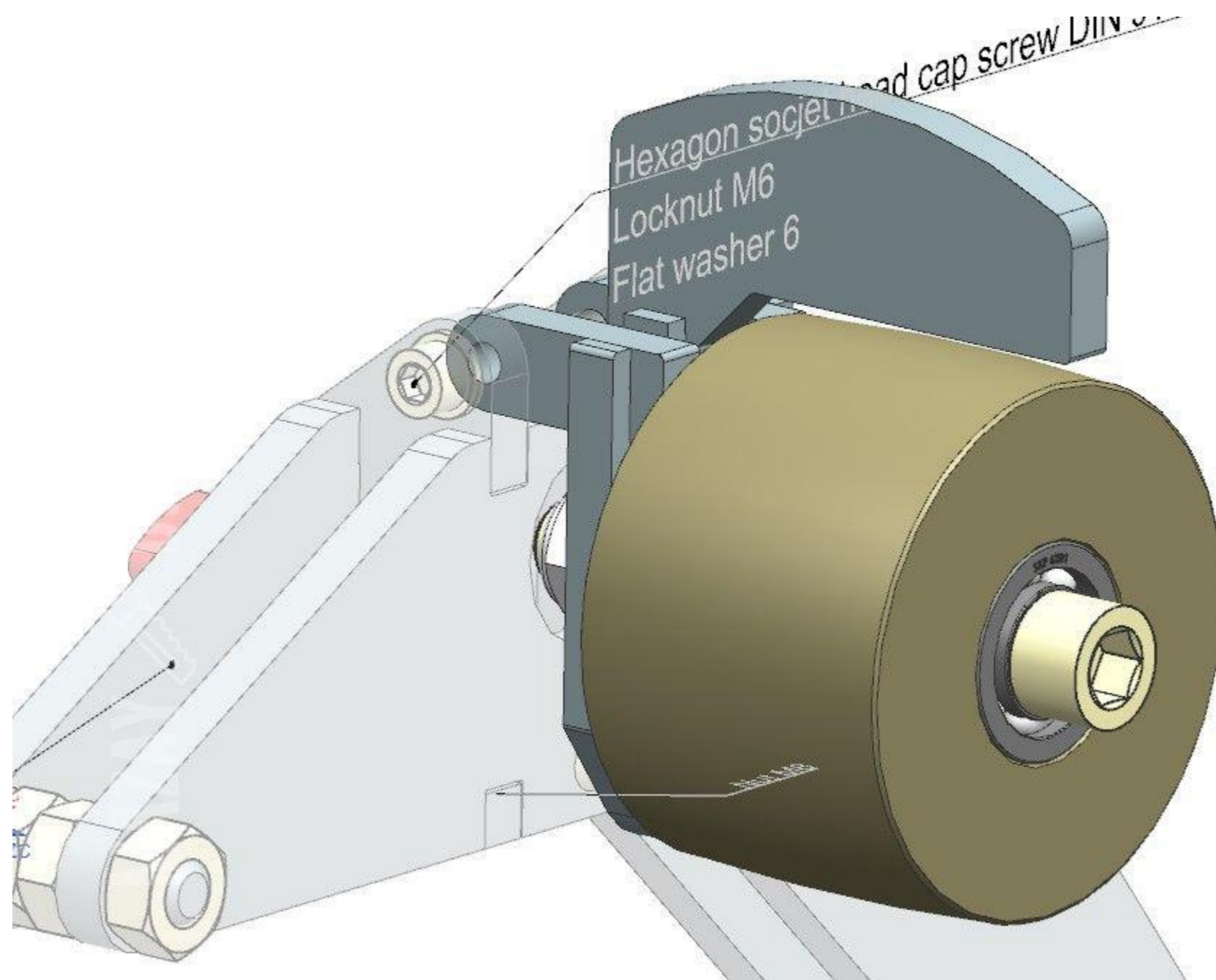


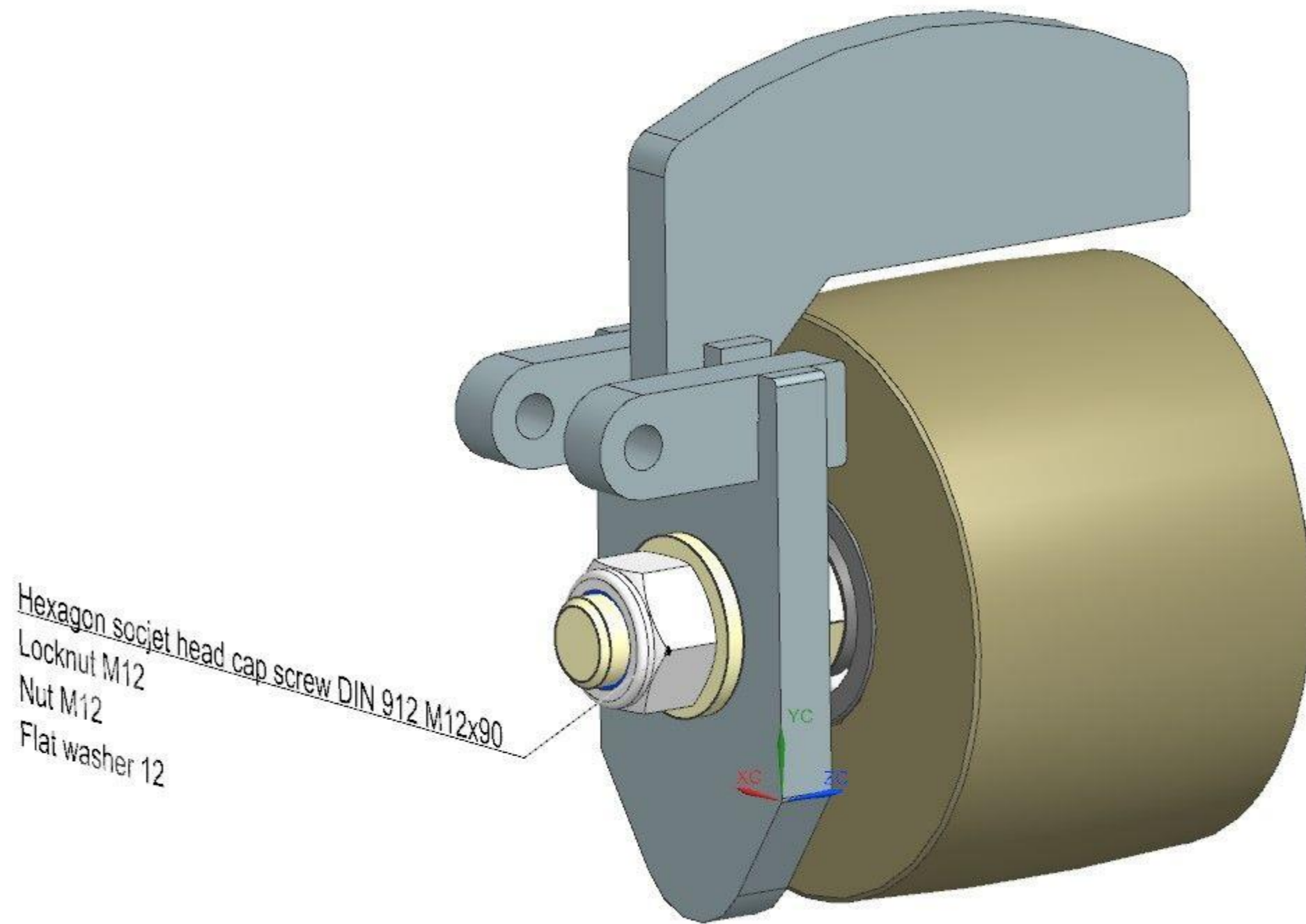
Hexagon socket head shoulder screw D10 L10 M8
Flat washer 10
Locknut M8
Flat washer 8



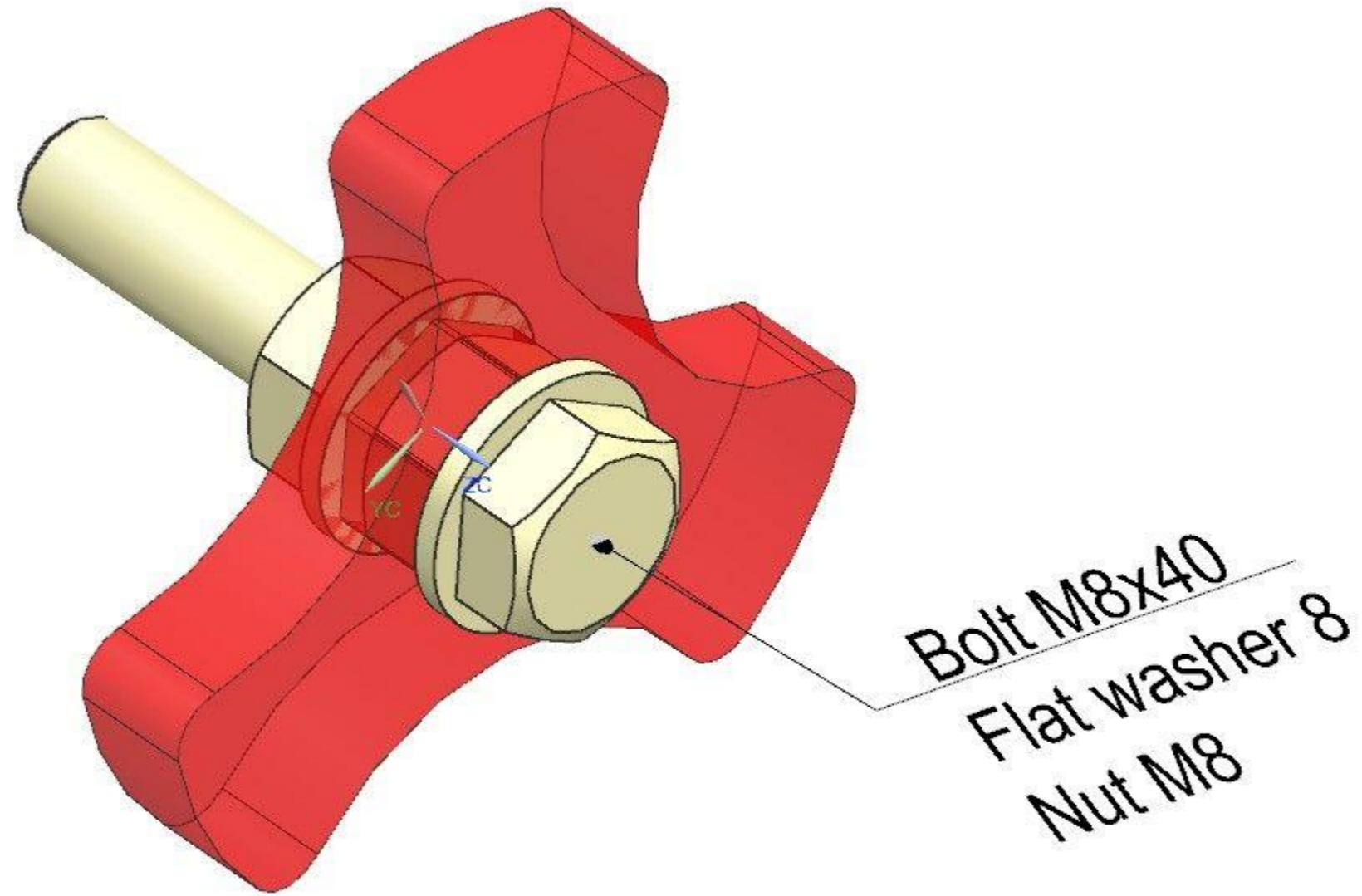


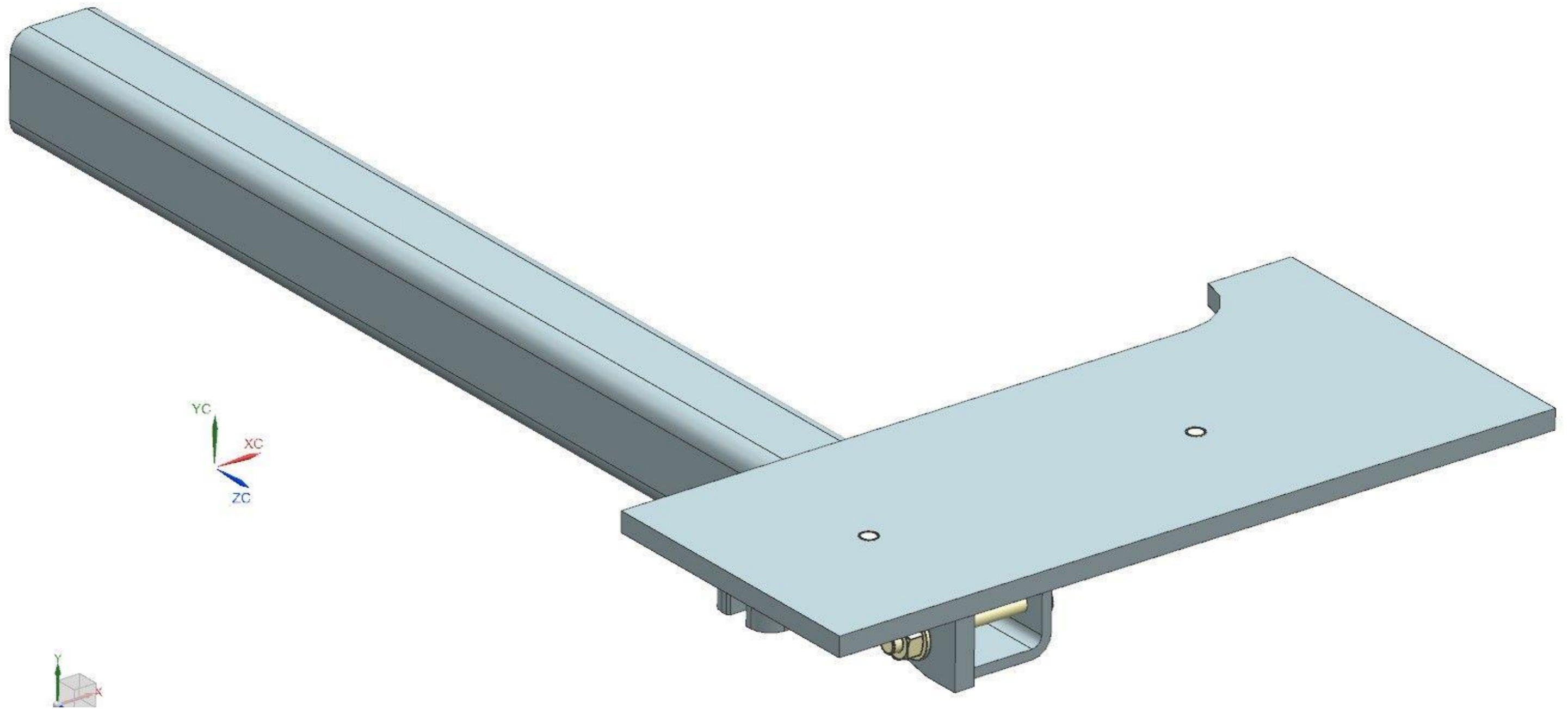


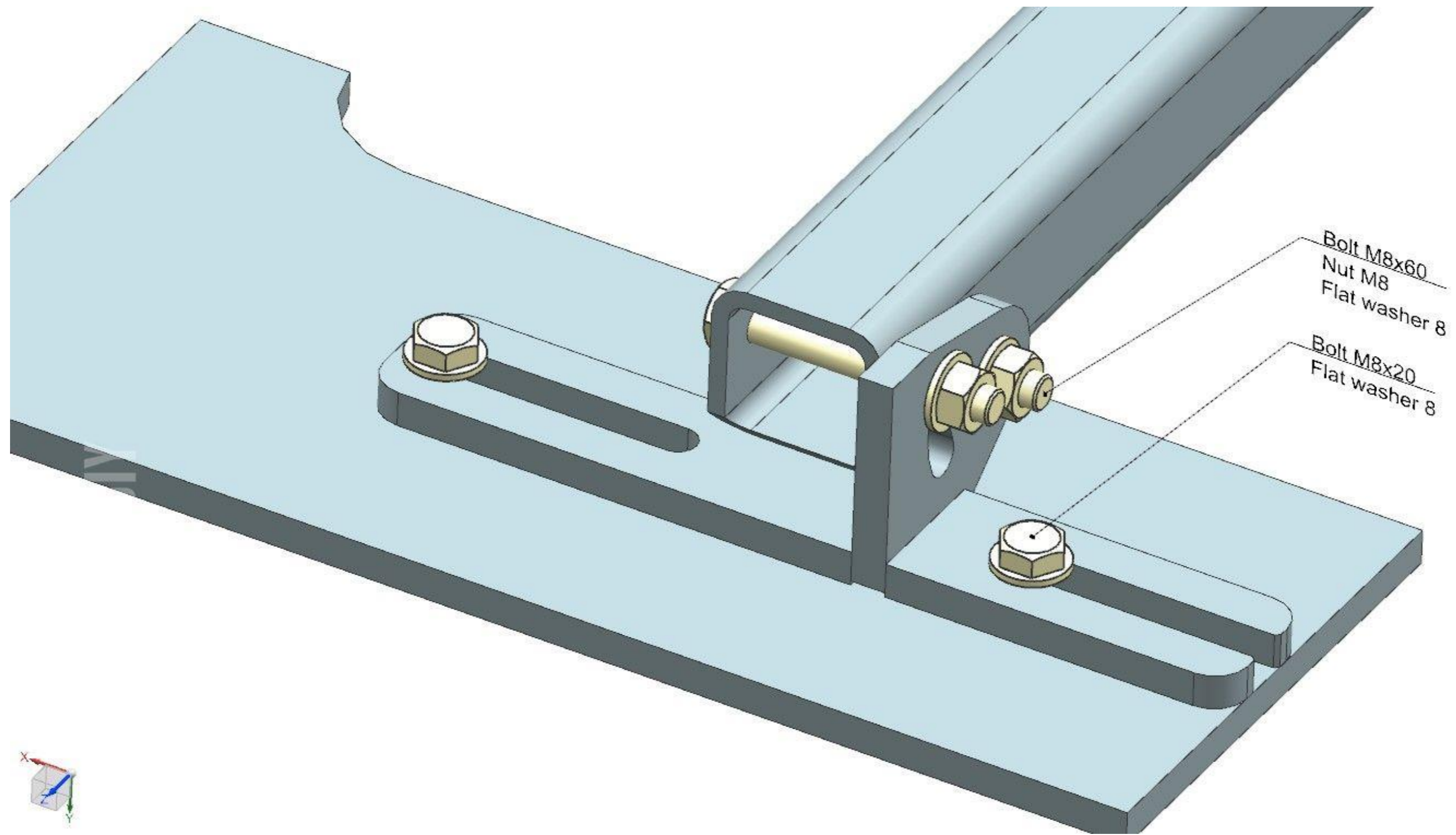


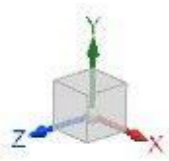
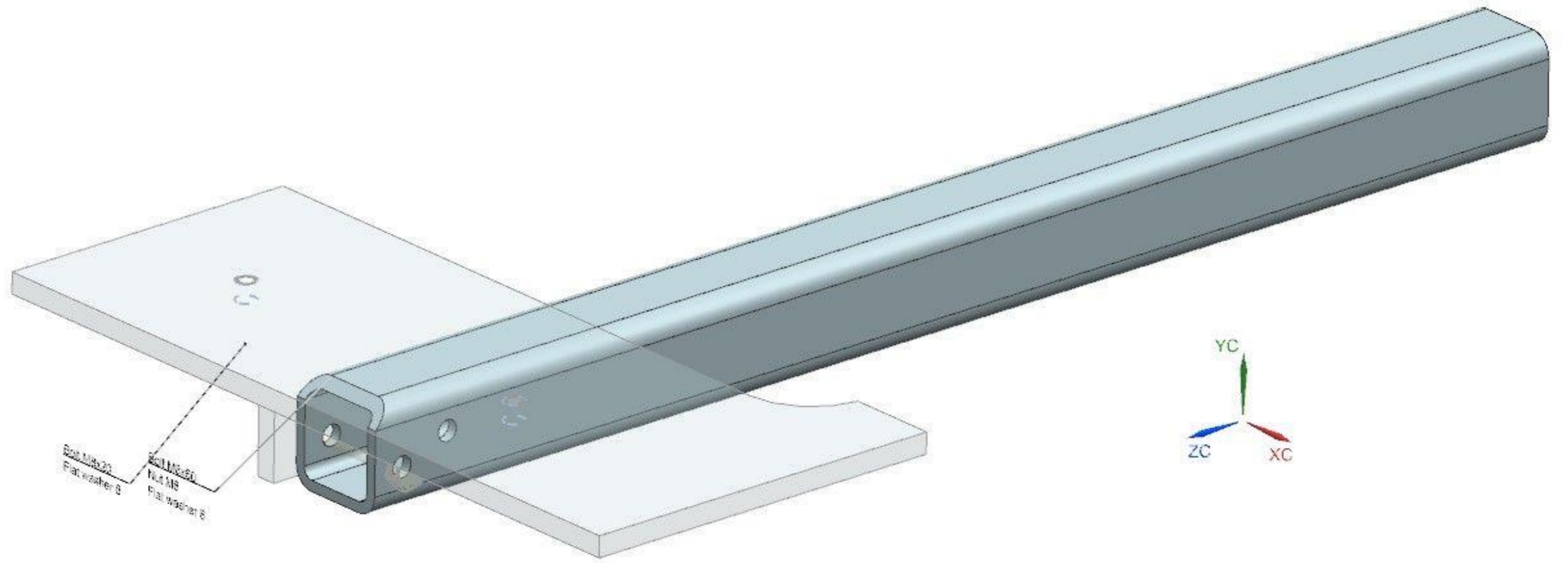


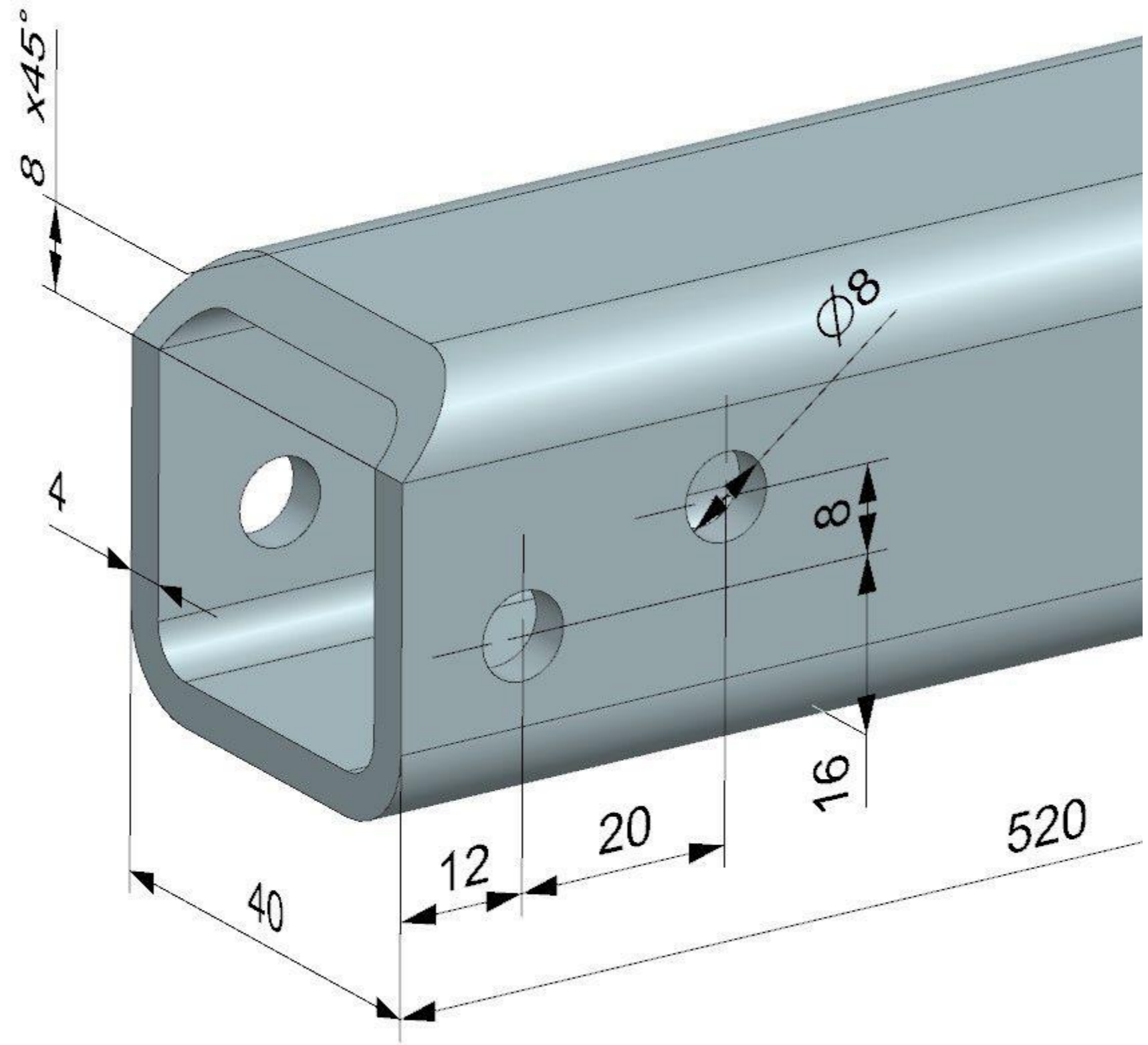
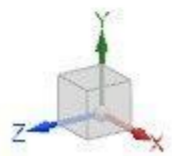
- Hexagon socket head cap screw DIN 912 M12x90
- Locknut M12
- Nut M12
- Flat washer 12

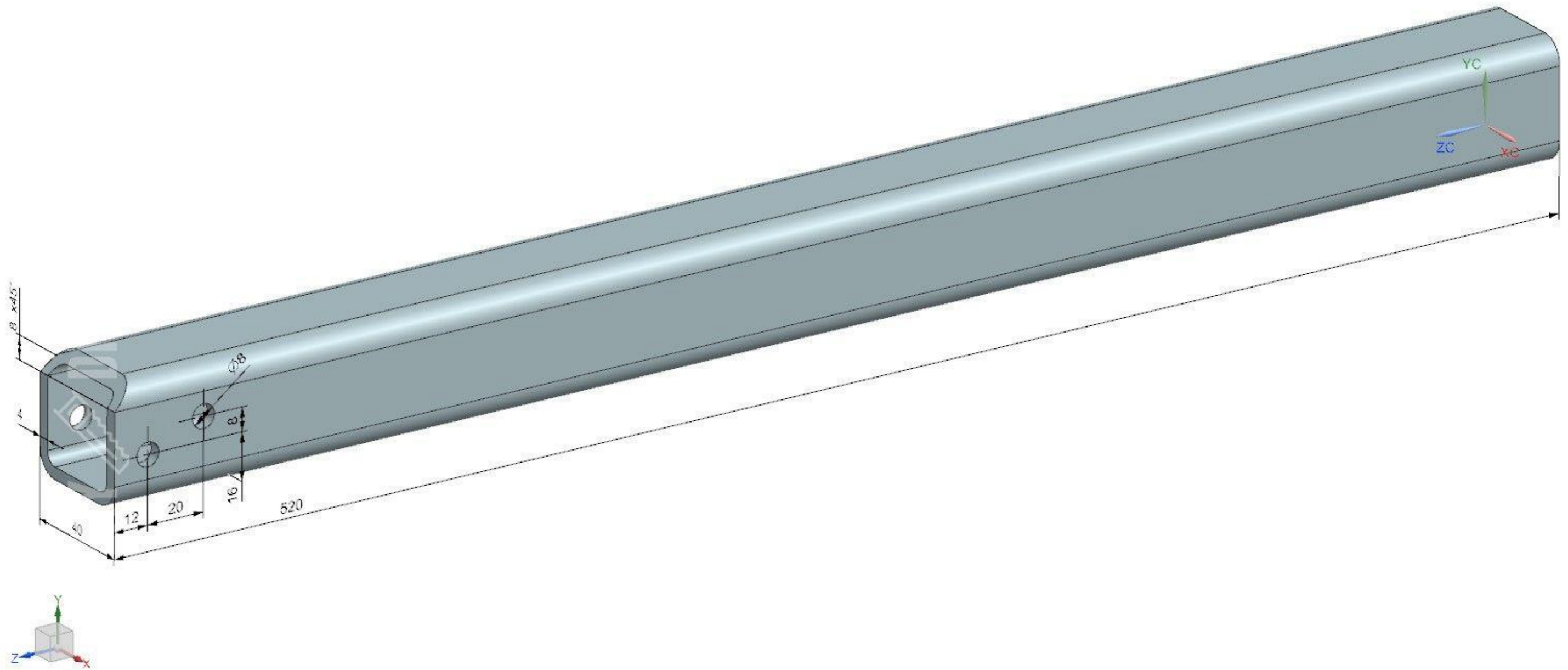


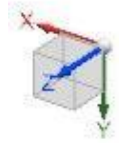
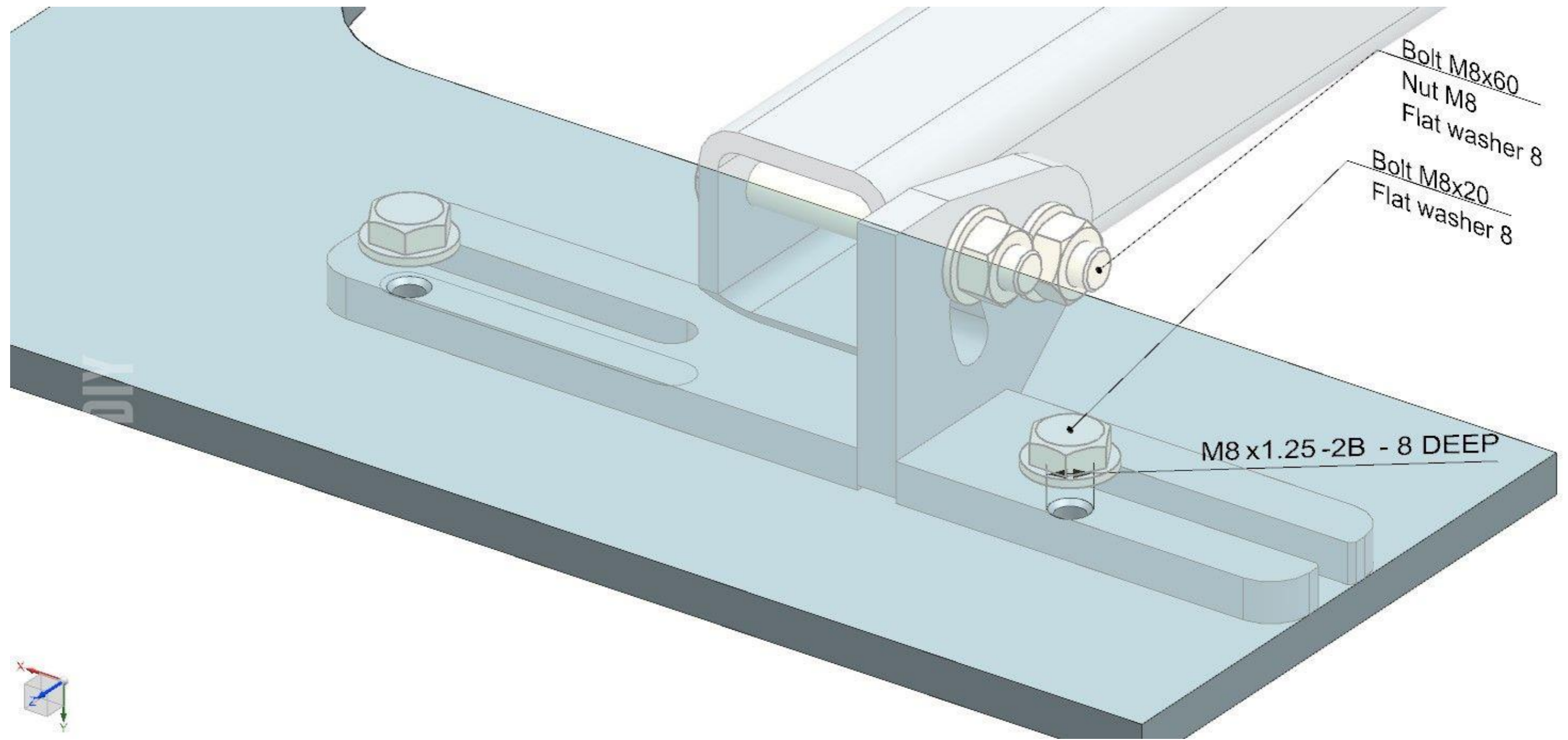


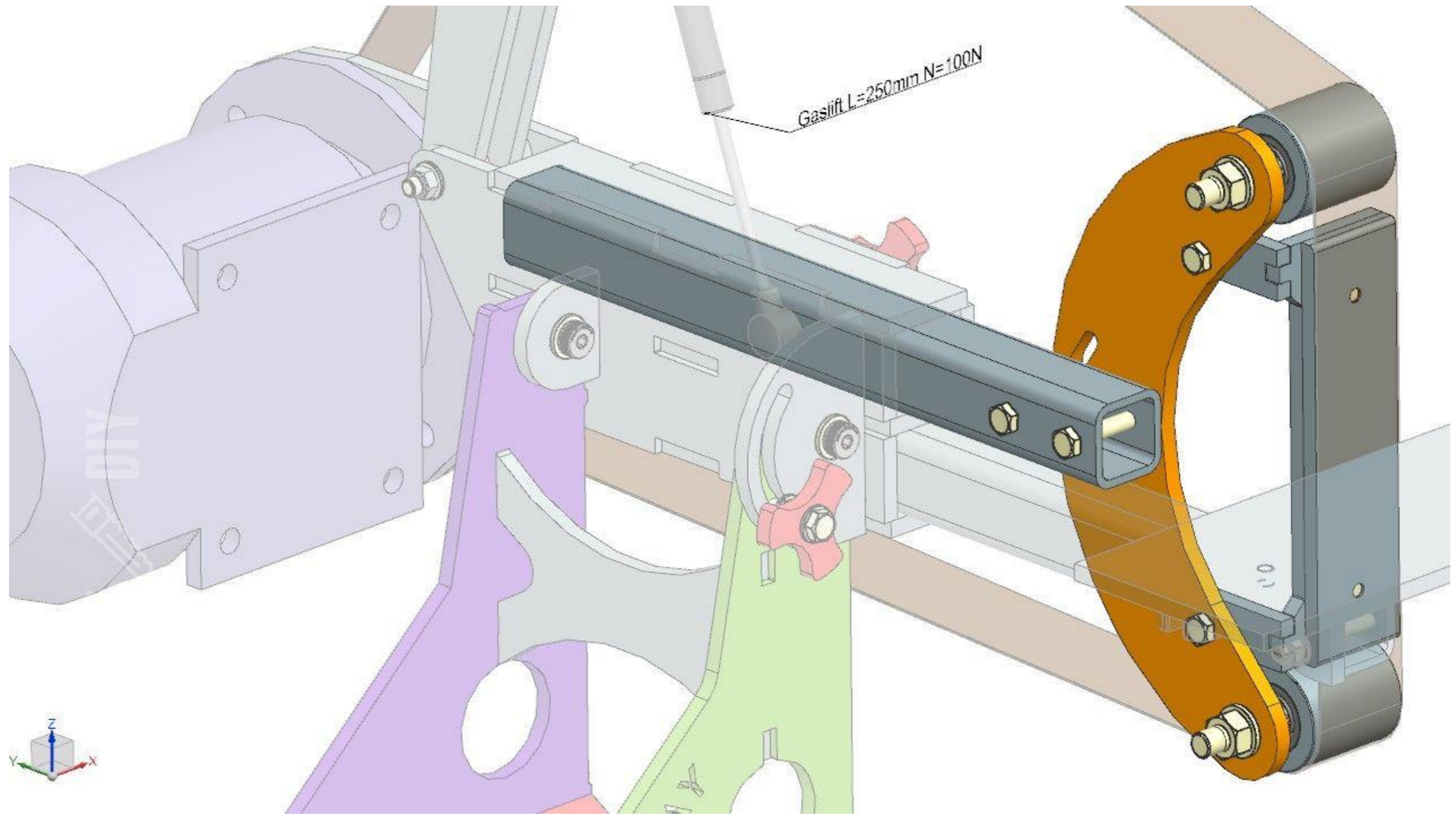


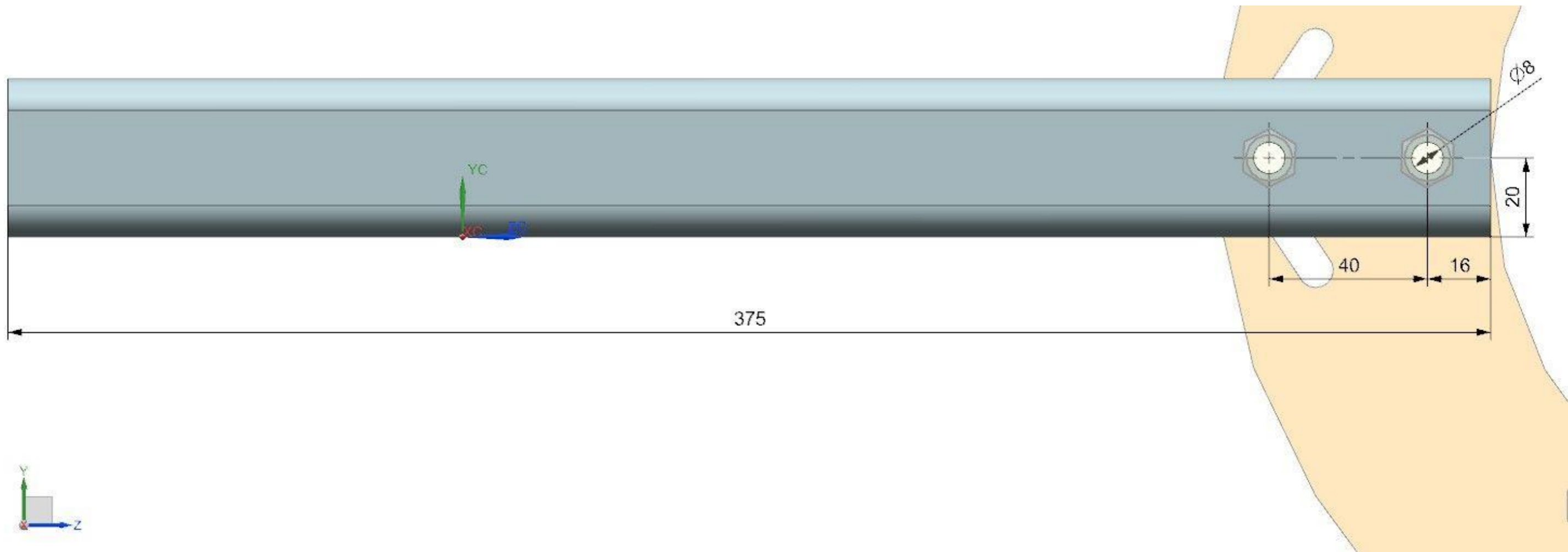


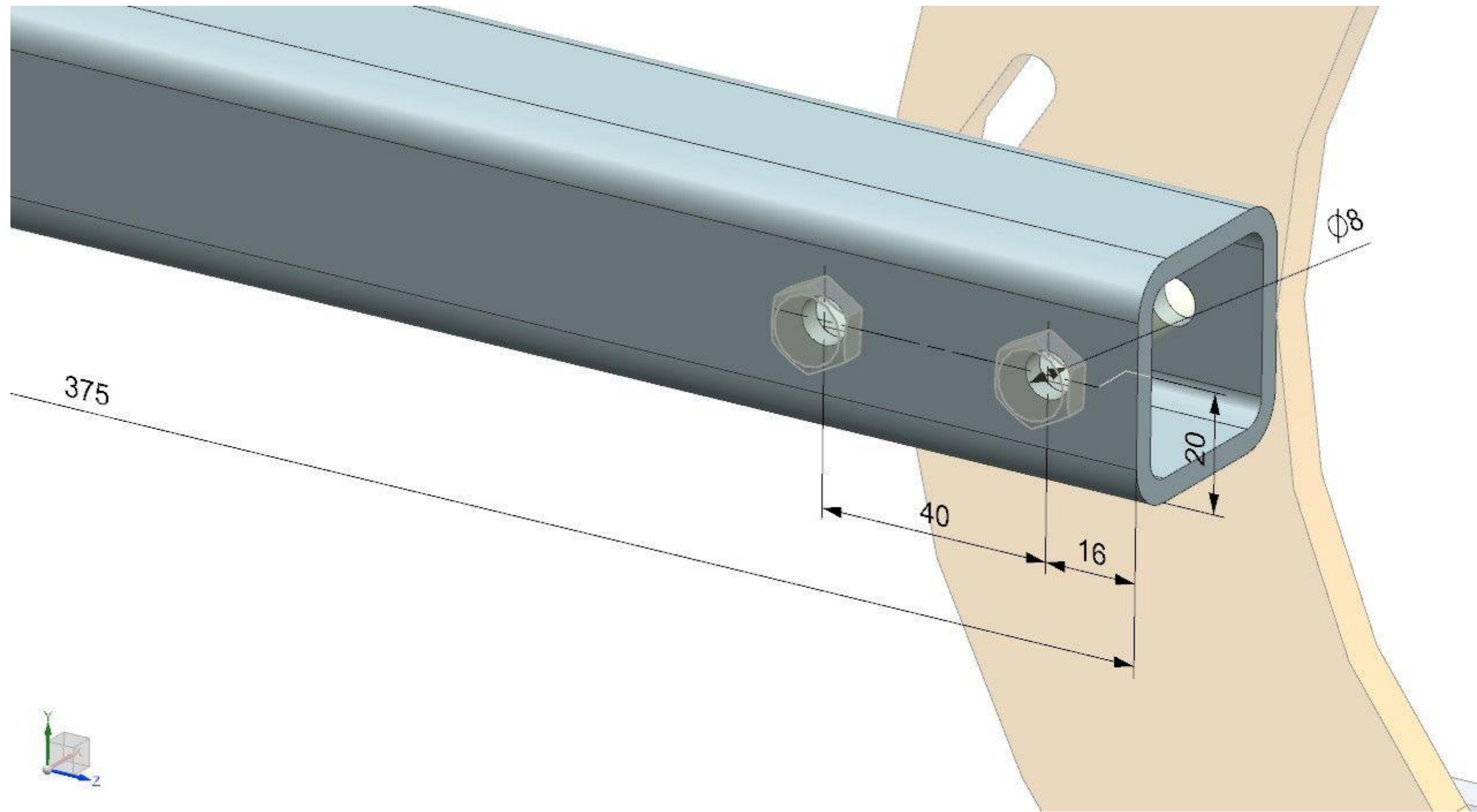


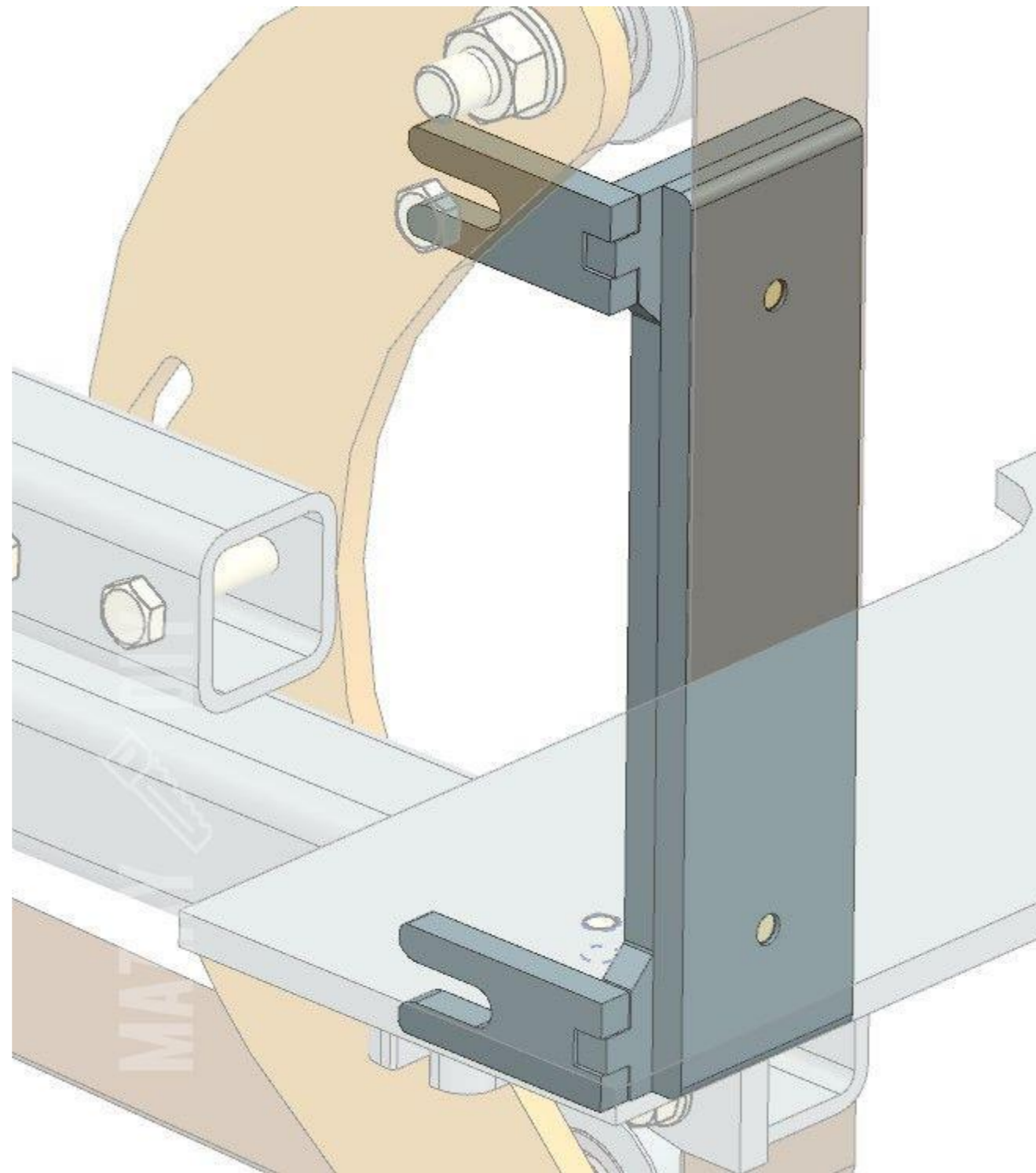


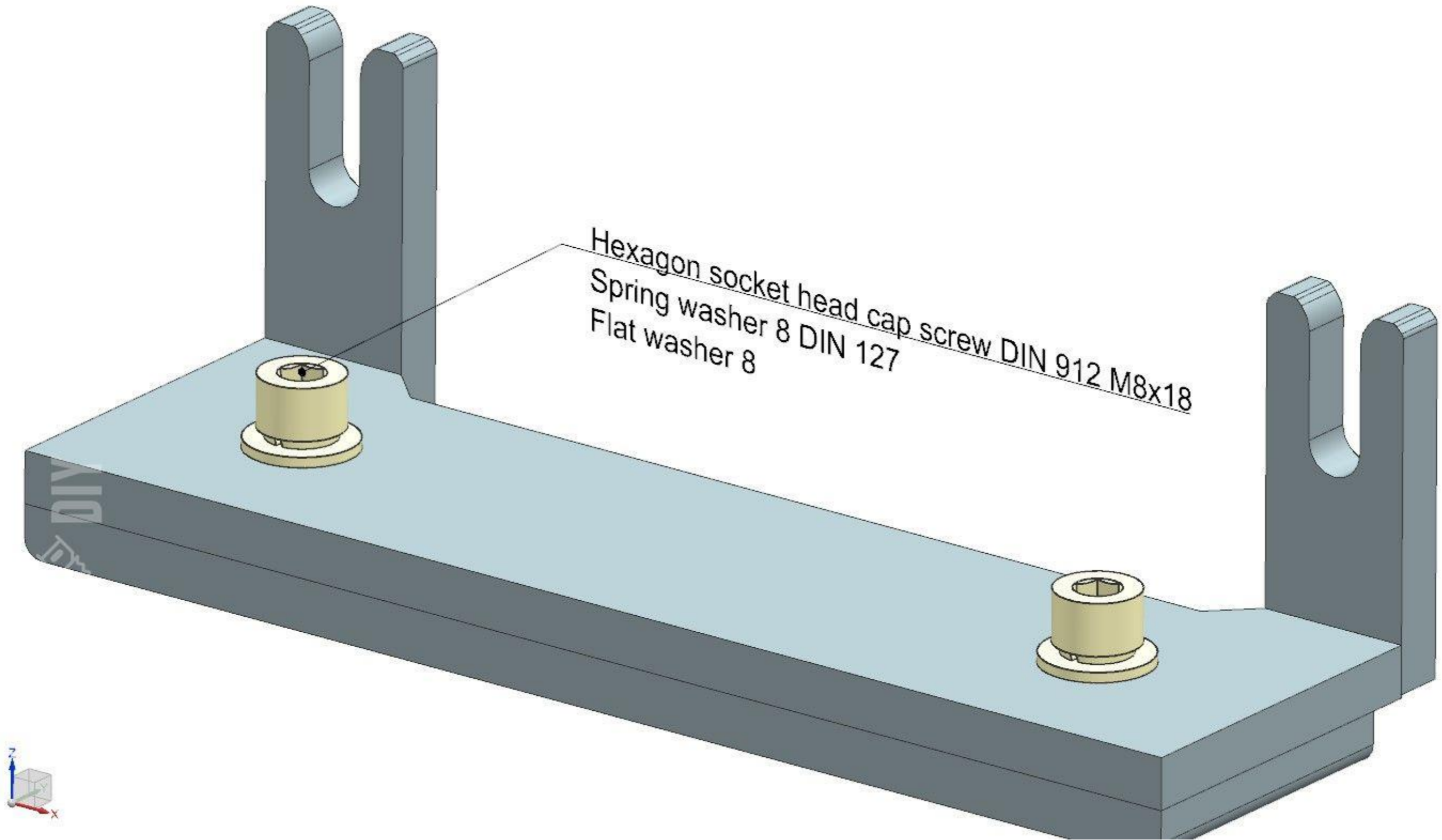




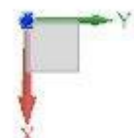
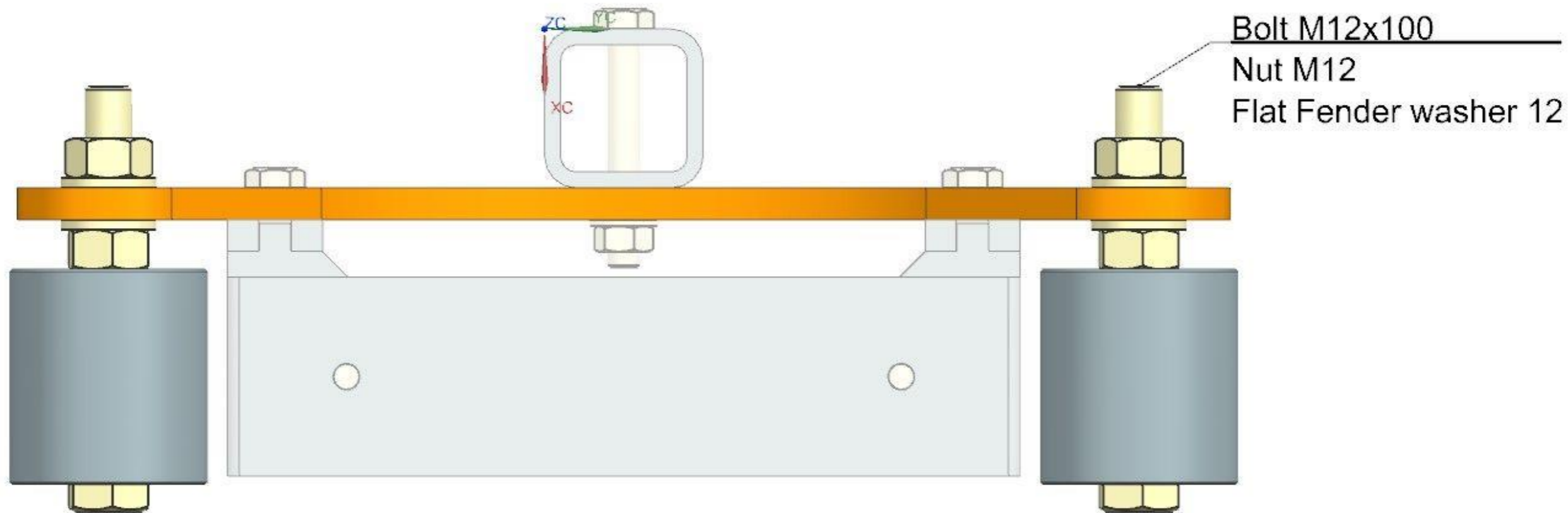


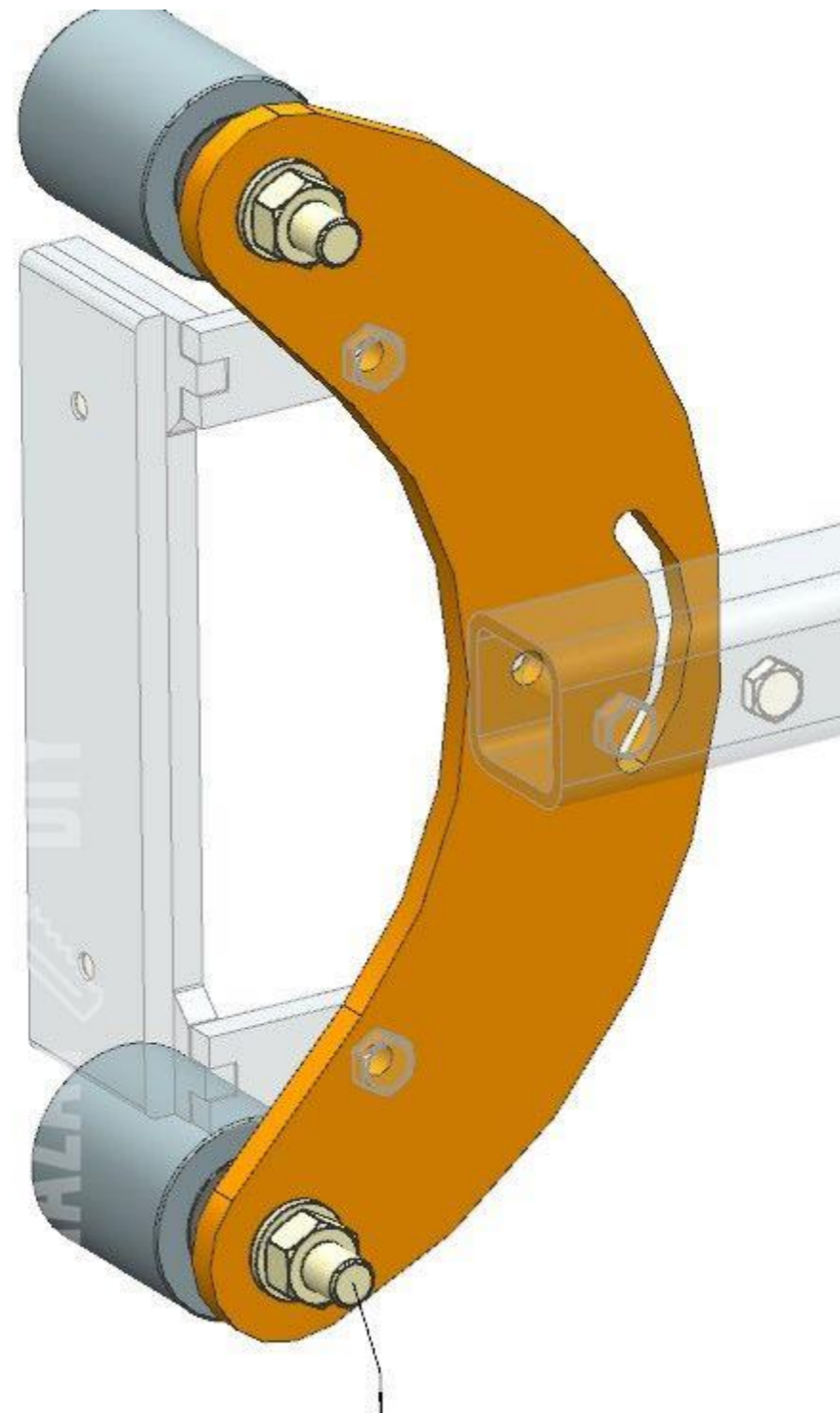


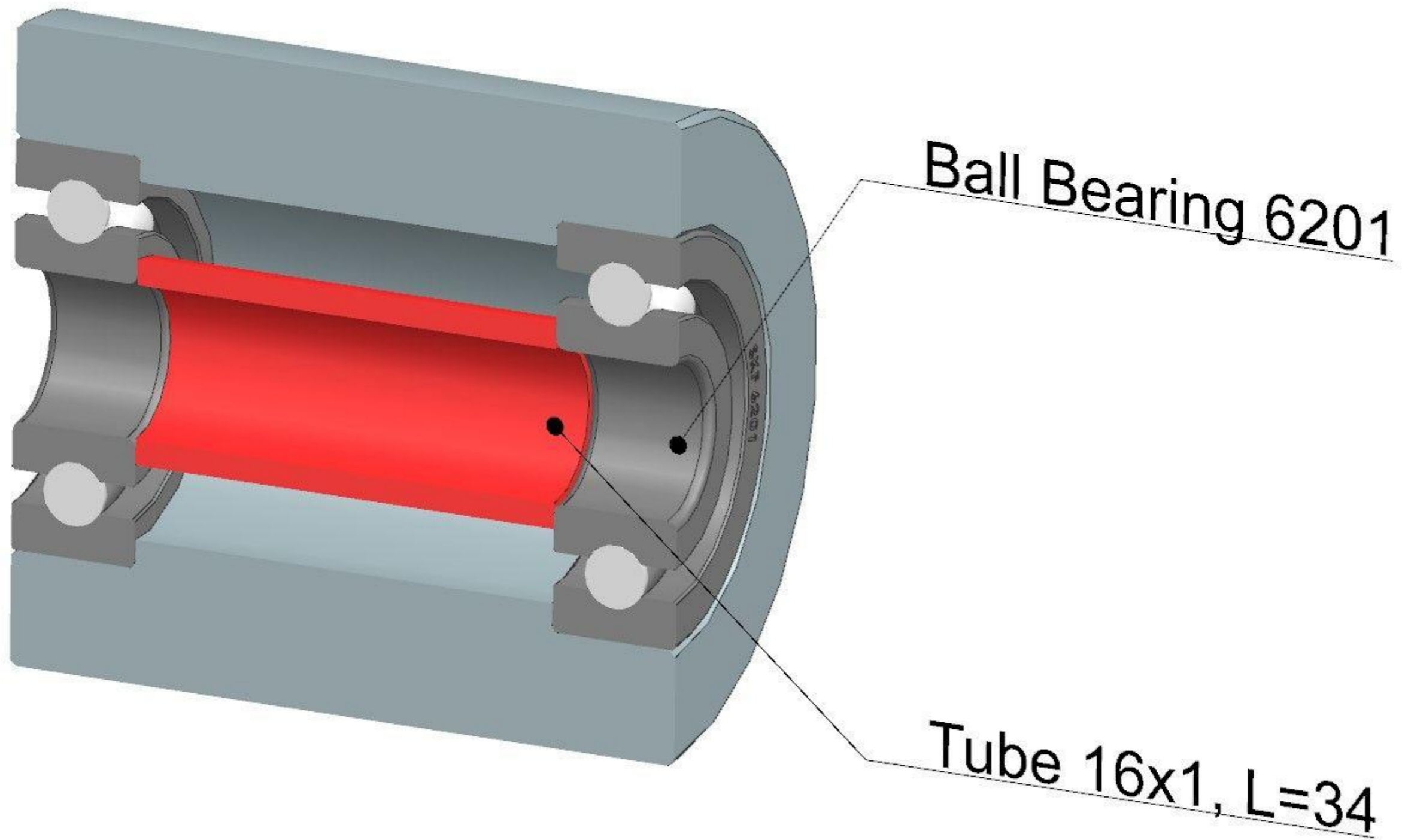




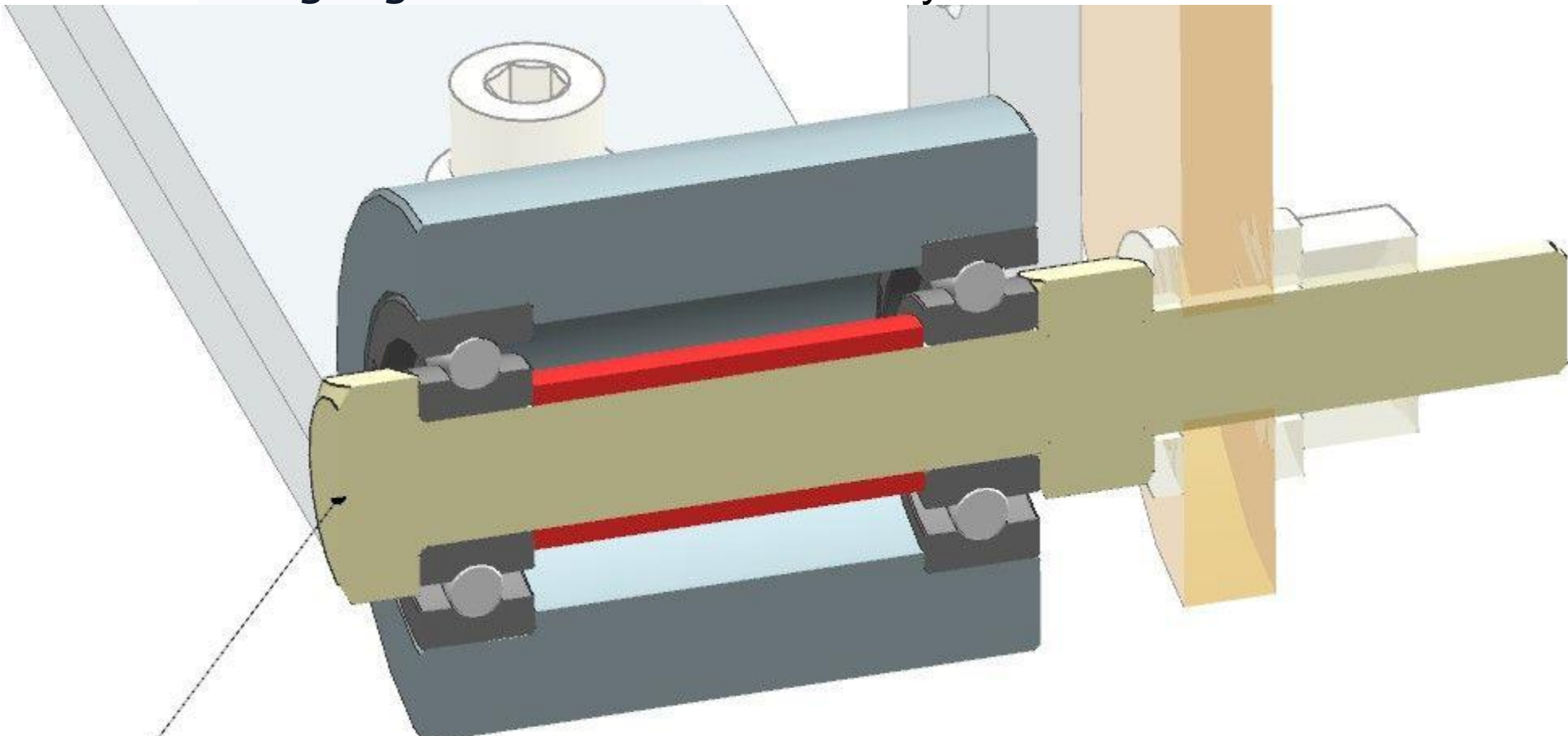
Hexagon socket head cap screw DIN 912 M8x18
Spring washer 8 DIN 127
Flat washer 8



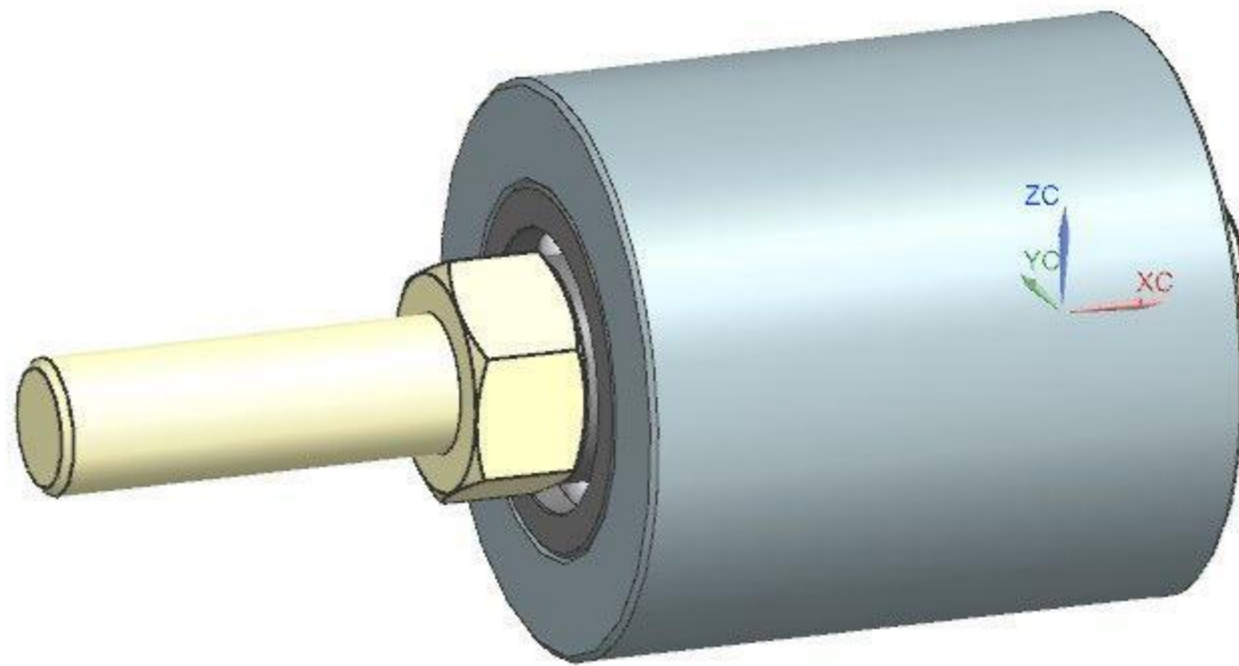




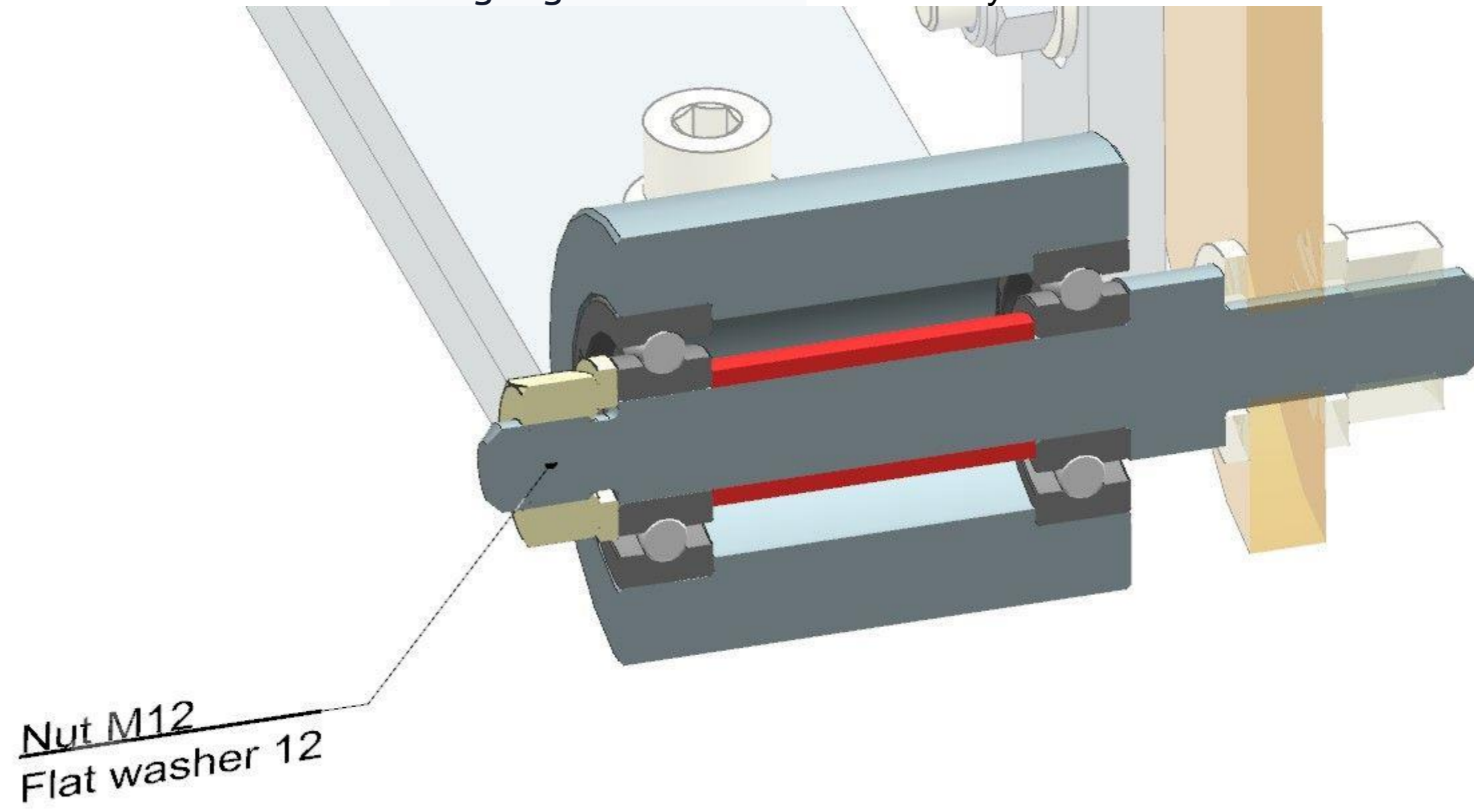
Straight grinder wheels - assembly variant 1

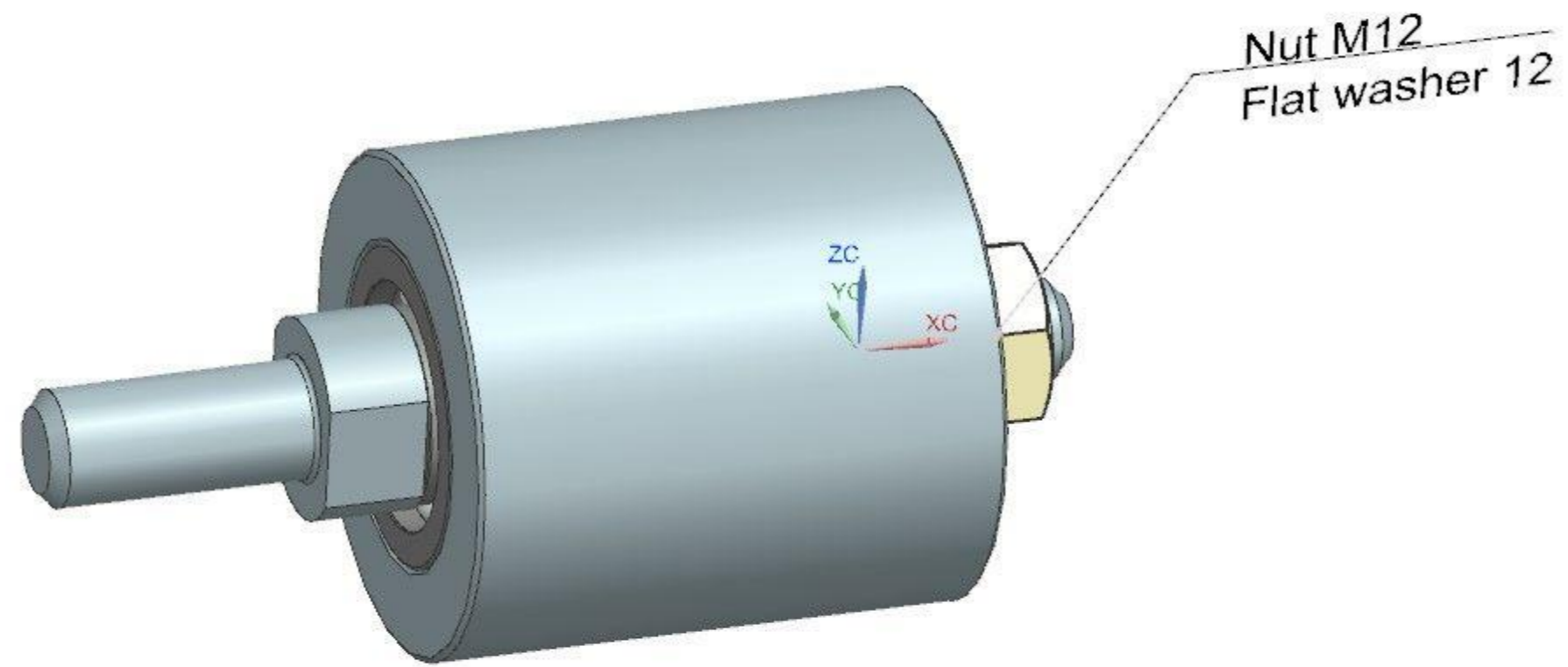


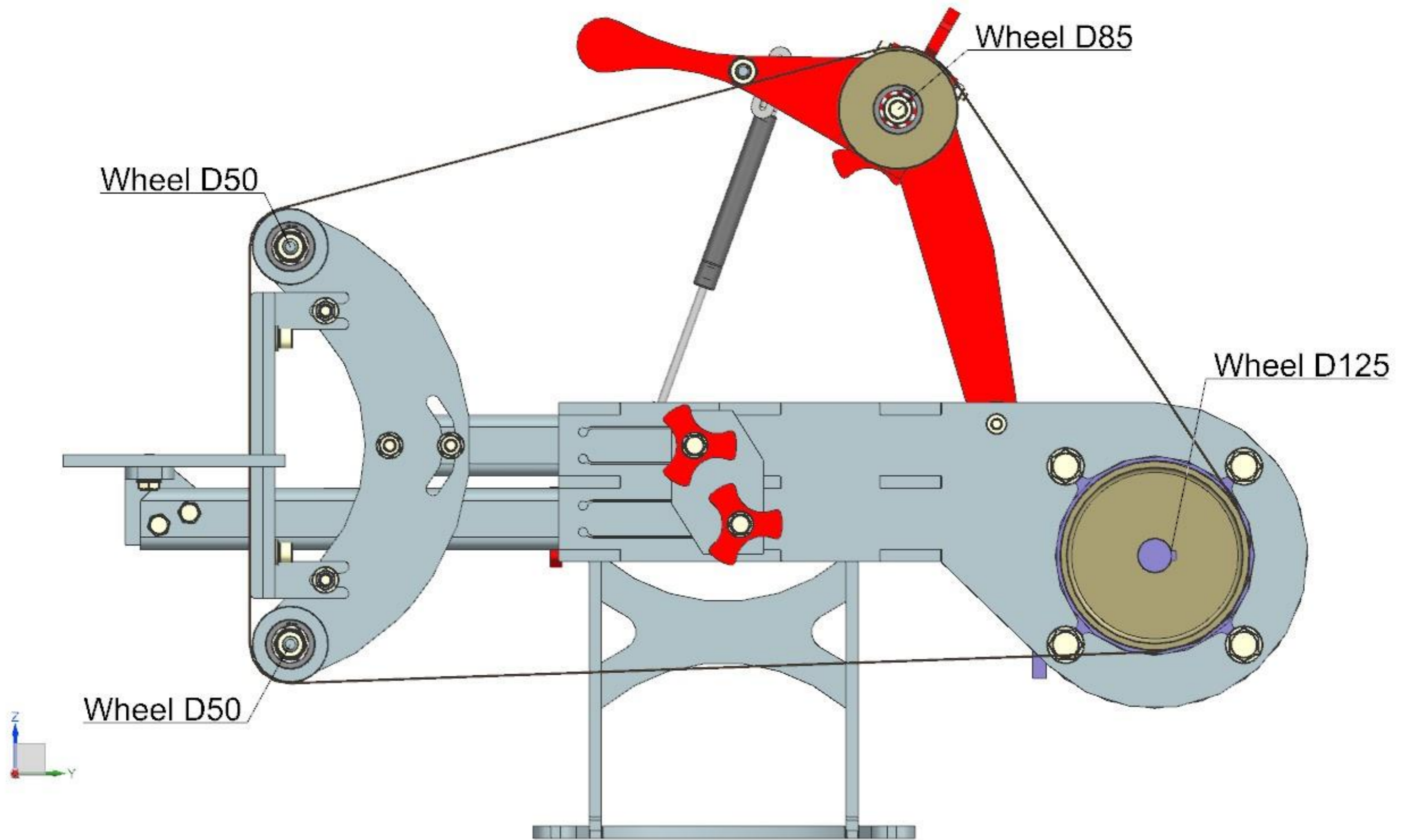
Bolt M12 x 100
Nut M12

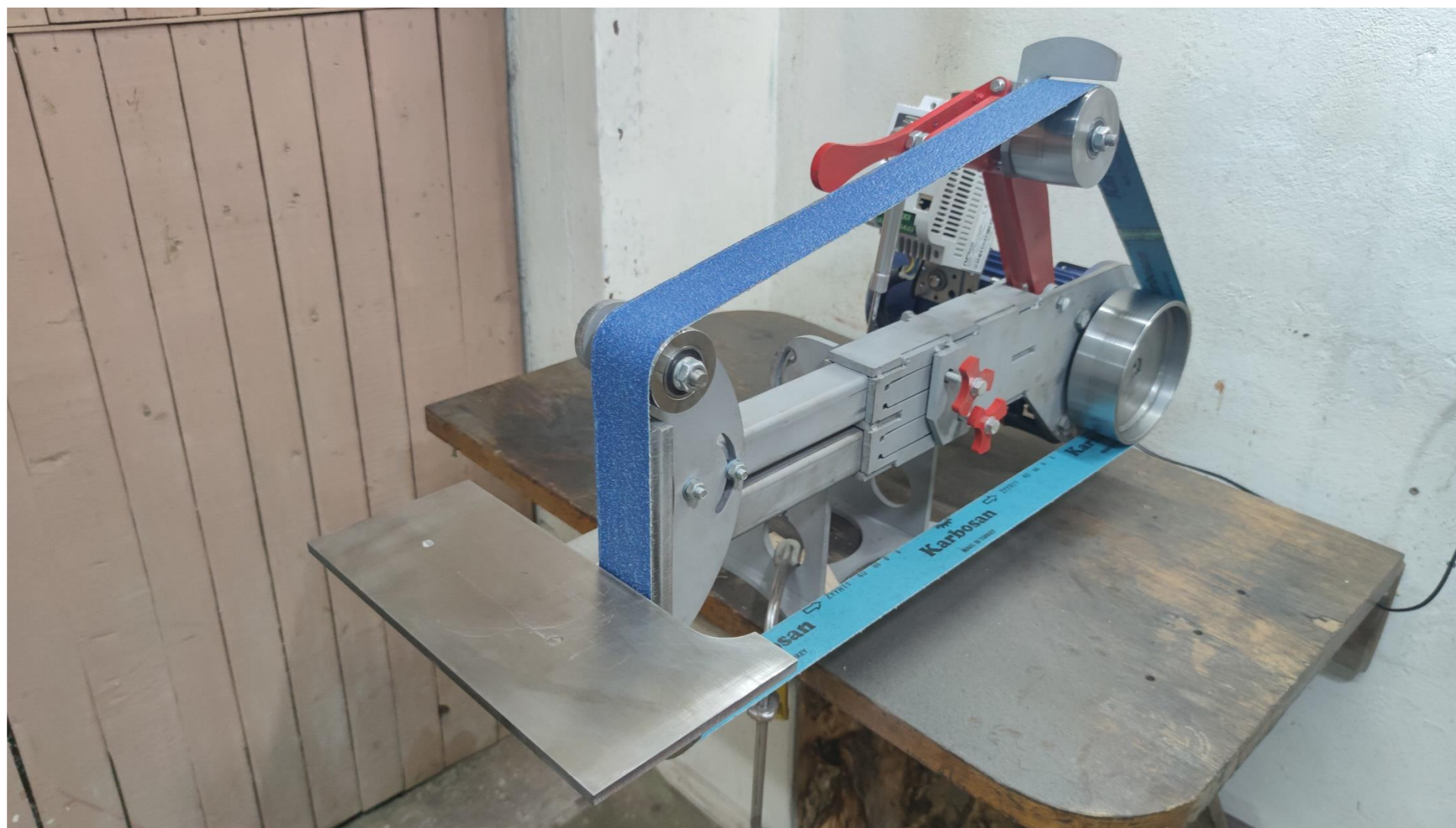


Straight grinder wheels - assembly variant 2









All dimensions in millimeters (mm)

Other tools and jigs:

[DIY Angle Grinder Stand](#)

[Drill bit organizer + Plans](#)

[DIY Drill Press Stand + Plans](#)

[DIY Hold down clamps + Printable templates](#)

[Mini Chainsaw Mill + Plans](#)

[Buy me a coffee](#) 