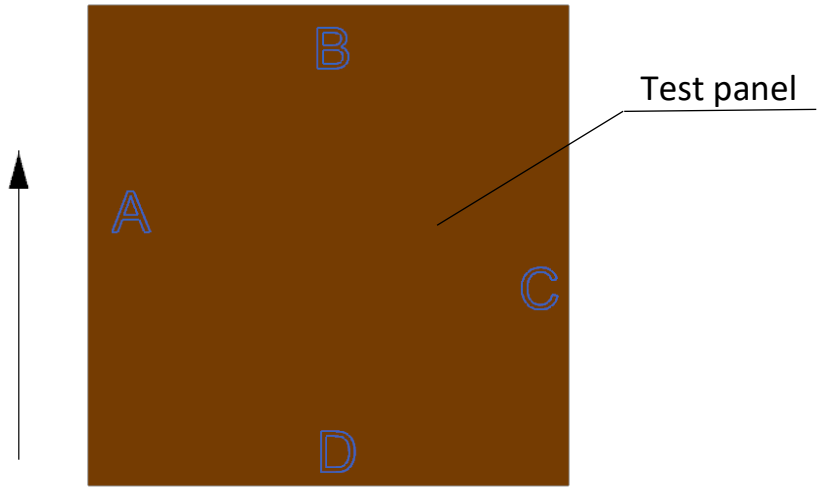


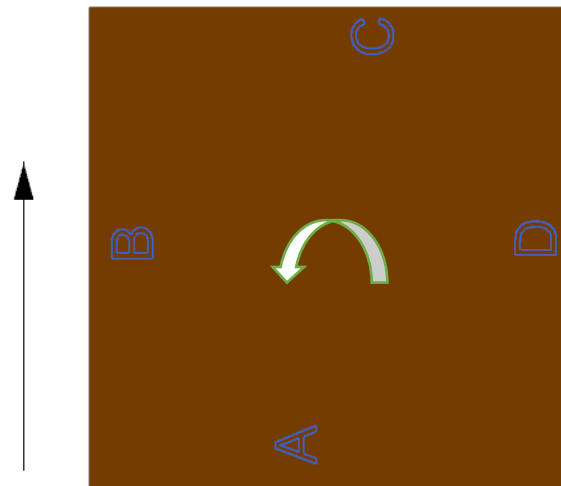
5 Cut Method

The 5 cut method to check the accuracy of a crosscut sled

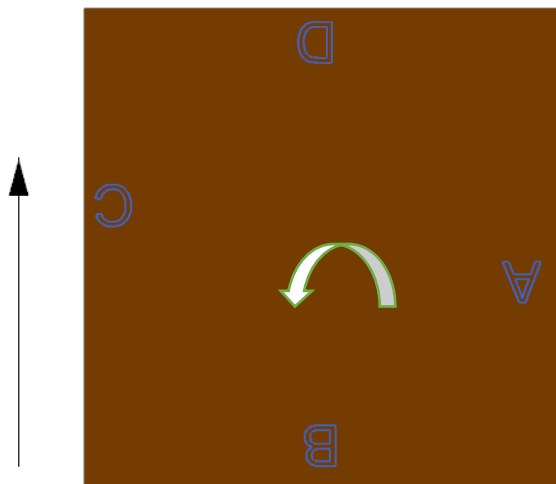
1. First cut



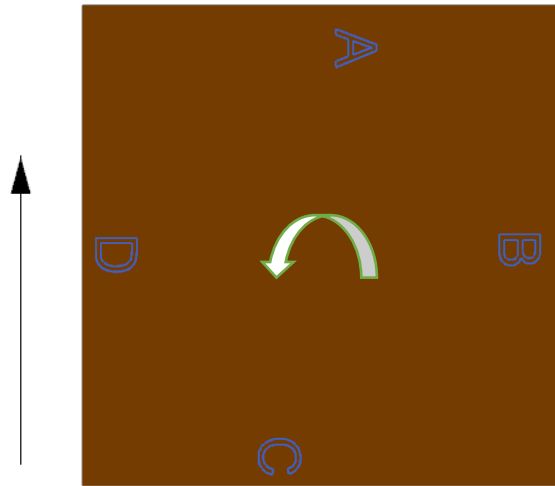
2. Second cut



3. Third cut



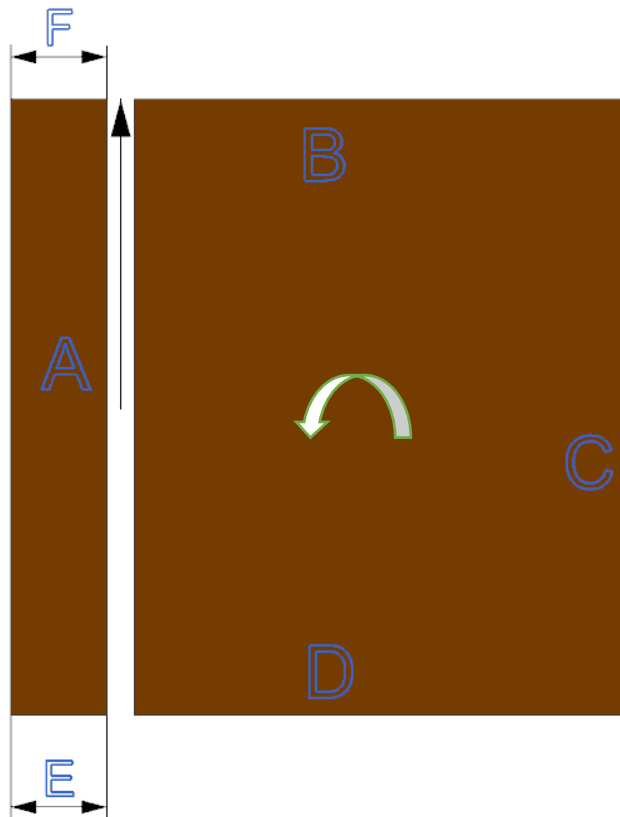
4. Fourth cut



5. Calculate M

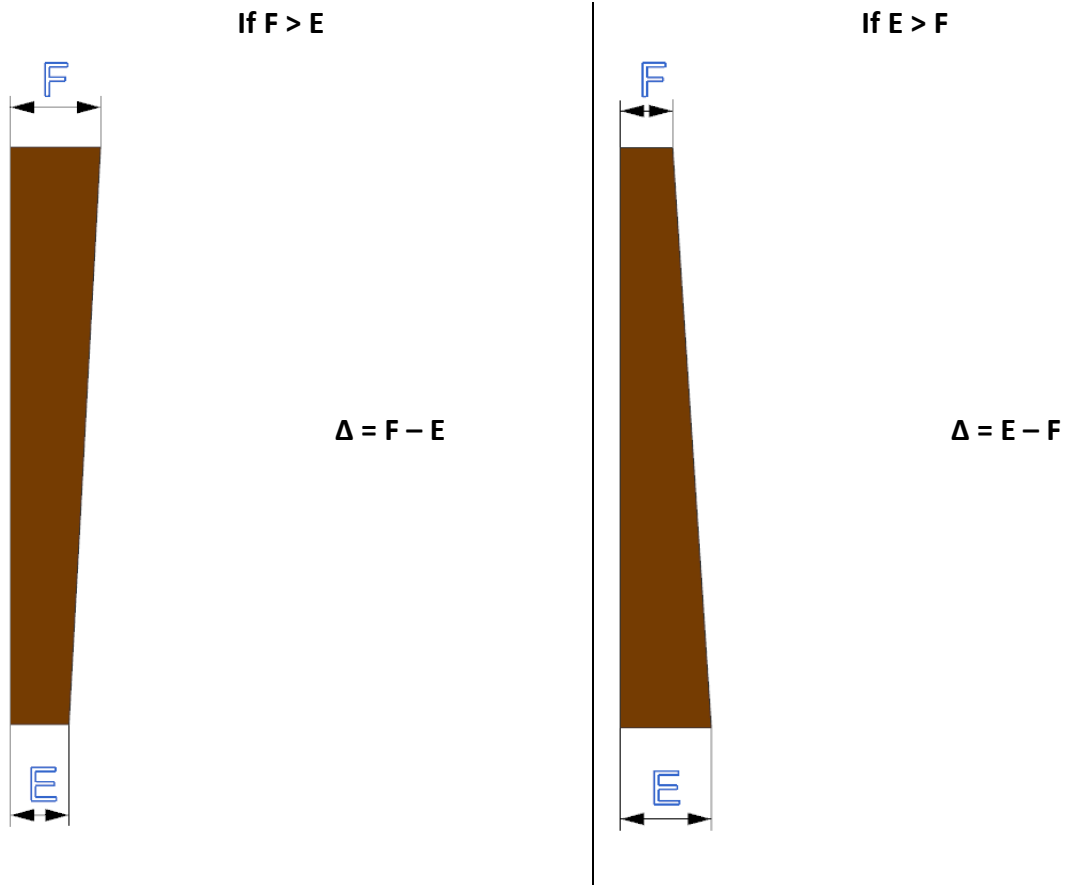
$$M=A+B+C+D$$

6. Fifth cut

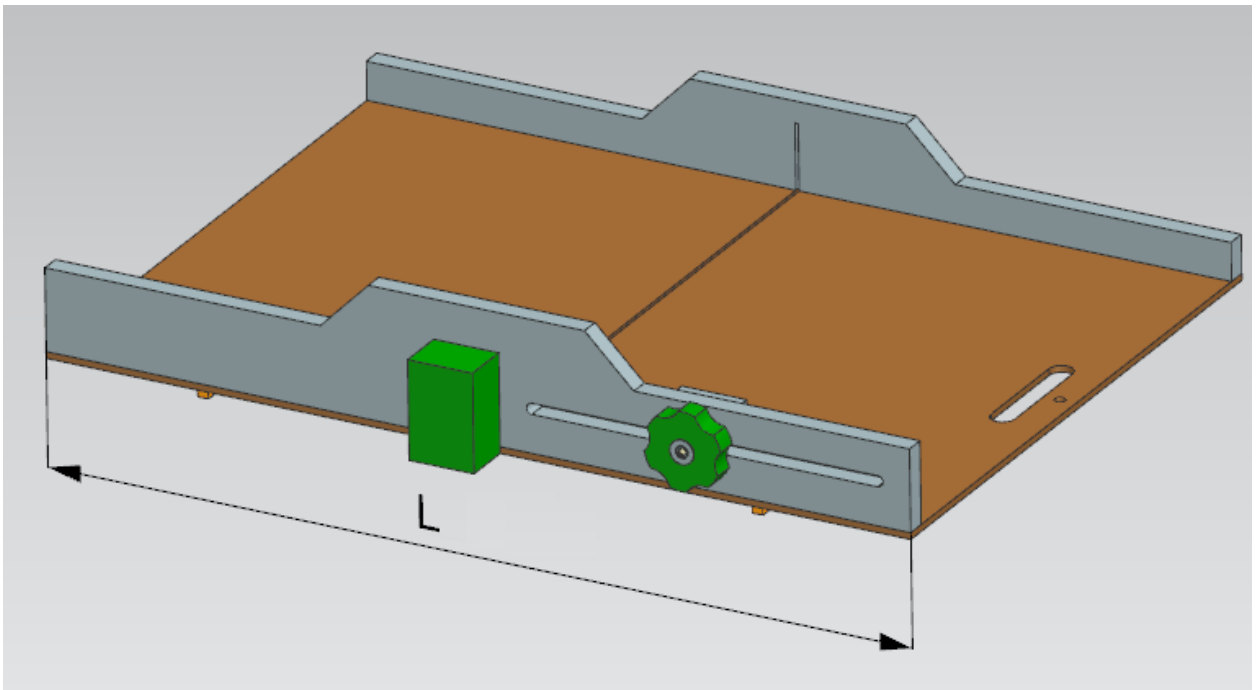


E and F - about 10...30 mm

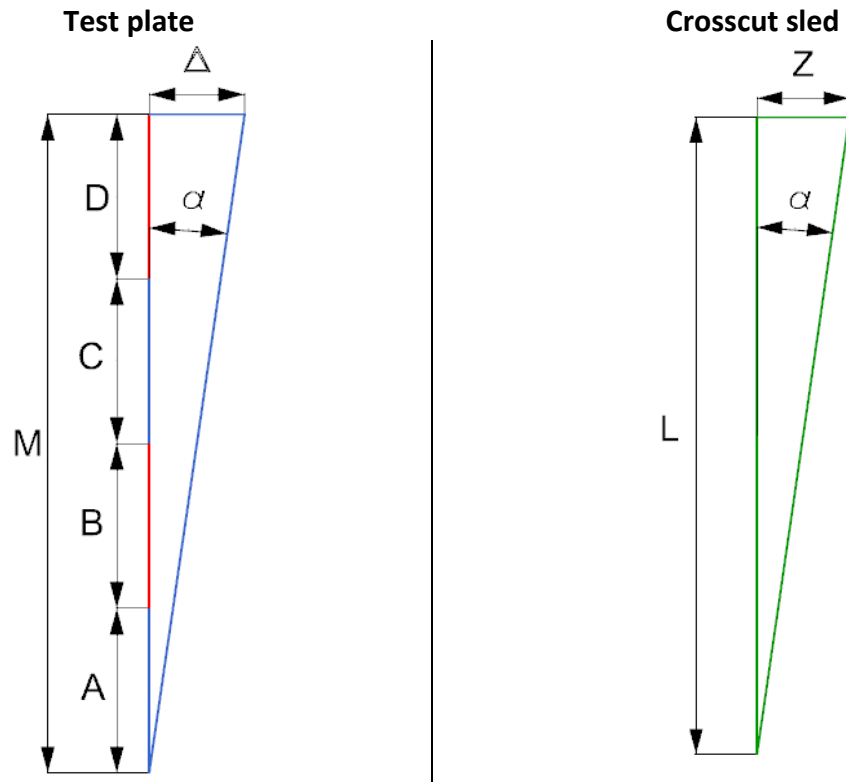
7. Calculate Δ



8. Measure L



9. Calculate Z

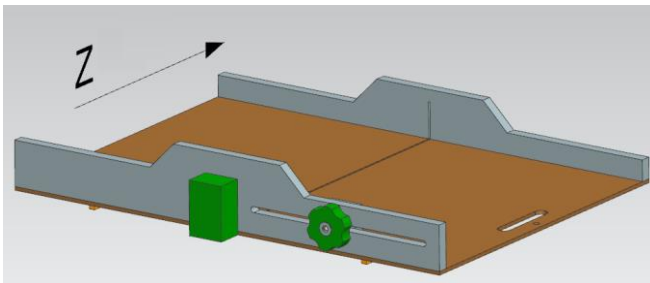


$$\frac{\Delta}{M} = \frac{Z}{L}$$

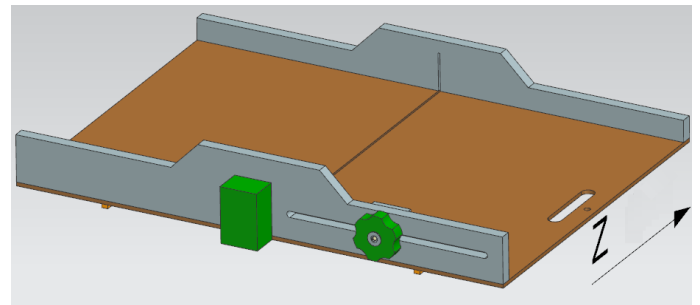
$$Z = \frac{\Delta \times L}{M}$$

10. Slide the fence

If $F > E$ (see step 7)



If $E > F$ (see step 7)



[Video tutorial](#)