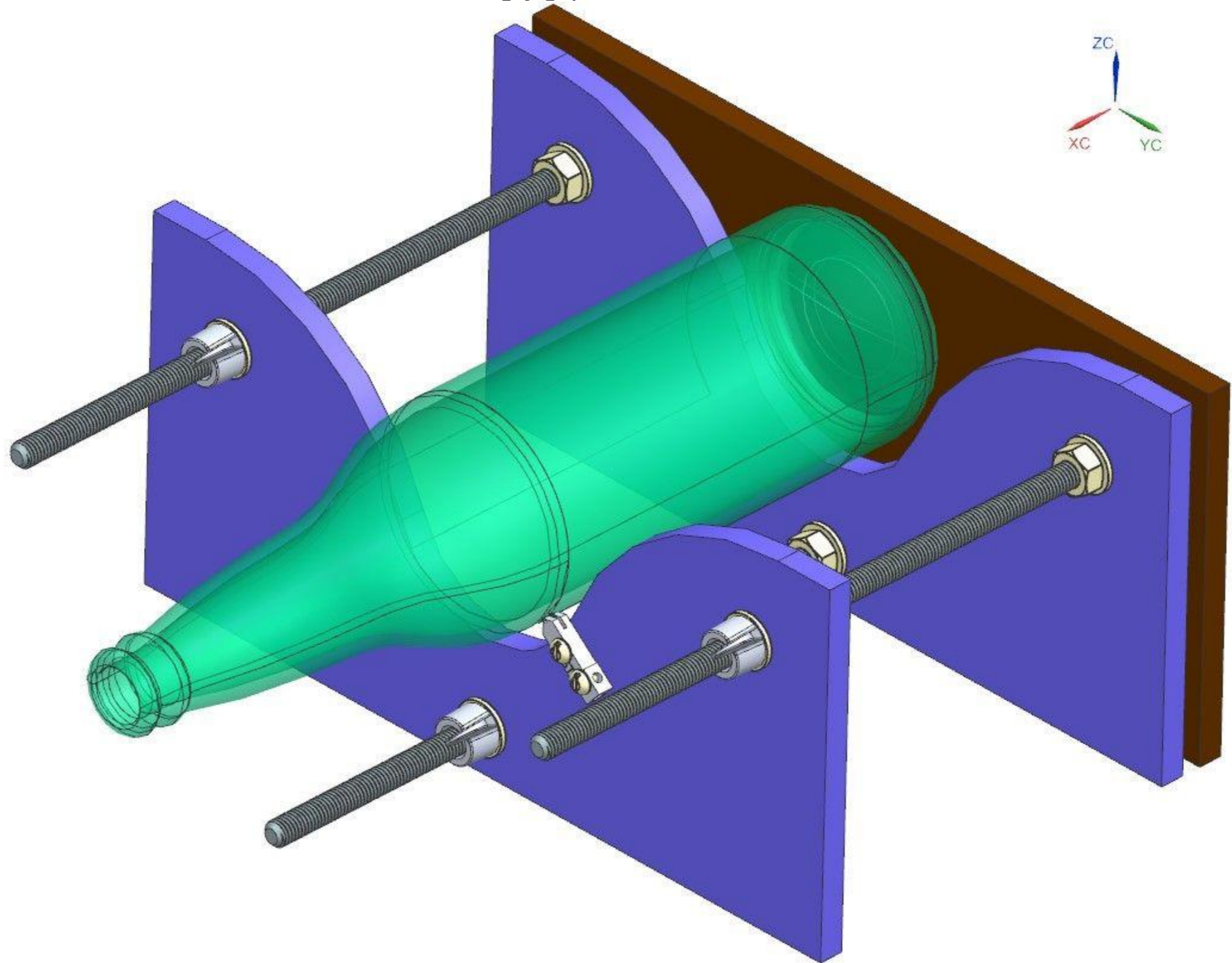
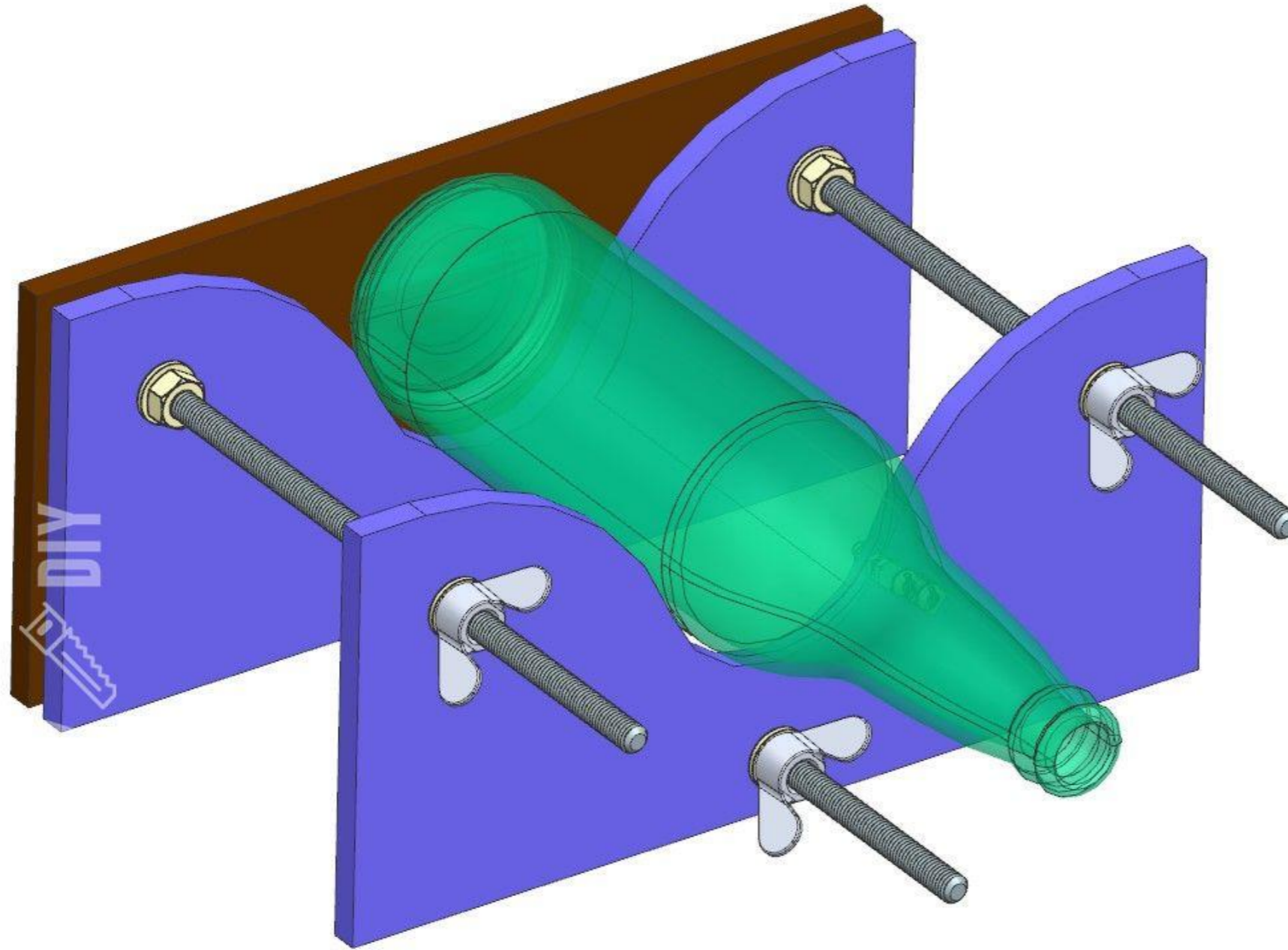


DIY bottle cutting jig | Plans with dimensions



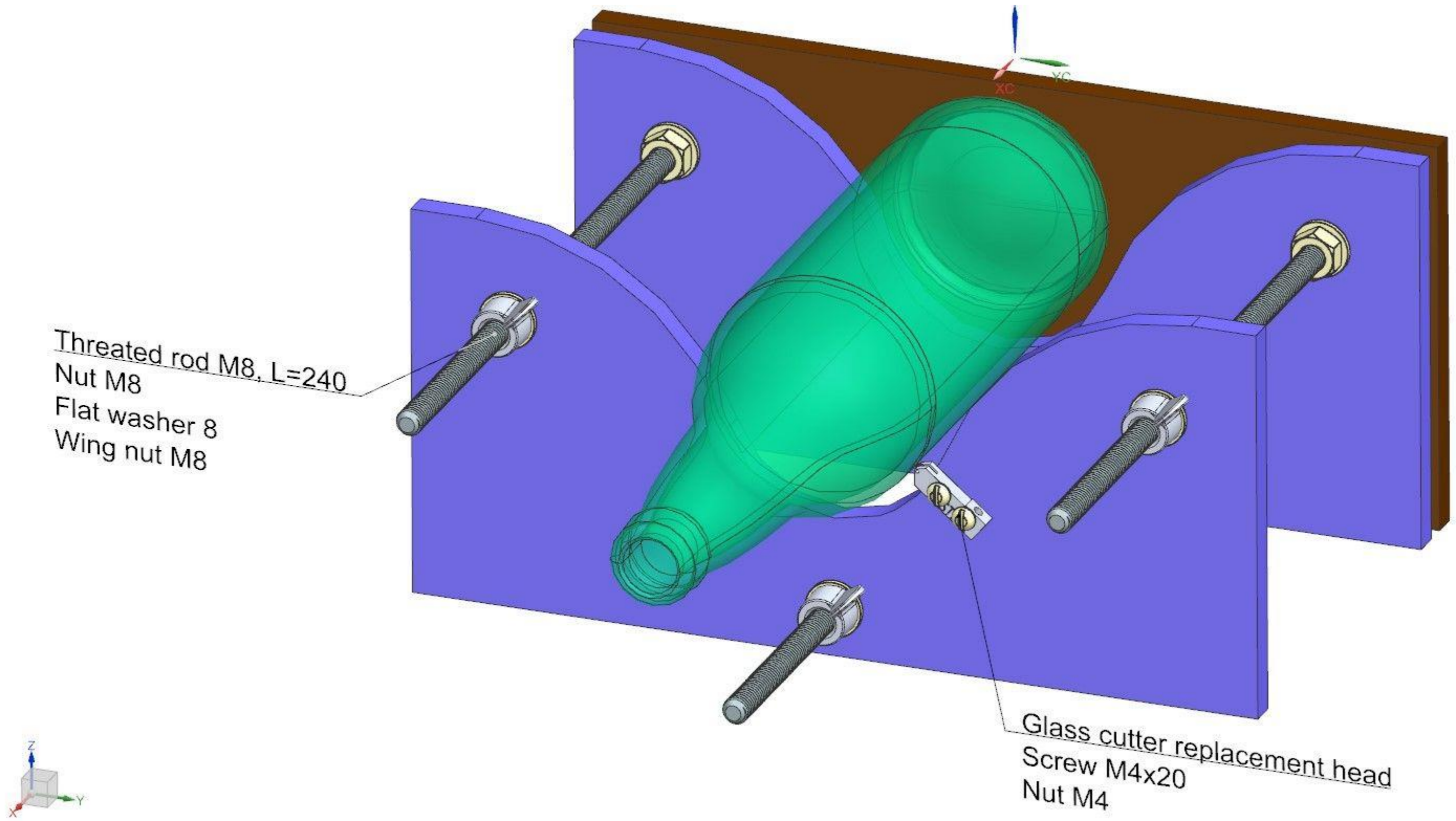


YC
DIY



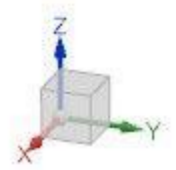
Fasteners and Materials:

- [Glass cutter replacement head](#)
- [Threaded rod M8](#), length=240 x 3
- [Wing nut M8](#) x 3
- [Nut M8](#) x 12
- [Flat washer 8](#) x 9
- [Nut M4](#) x 2
- [Screw M4x20](#) x 2
- Plywood 8 mm or MDF 8 mm



Threaded rod M8, L=240
Nut M8
Flat washer 8
Wing nut M8

Glass cutter replacement head
Screw M4x20
Nut M4

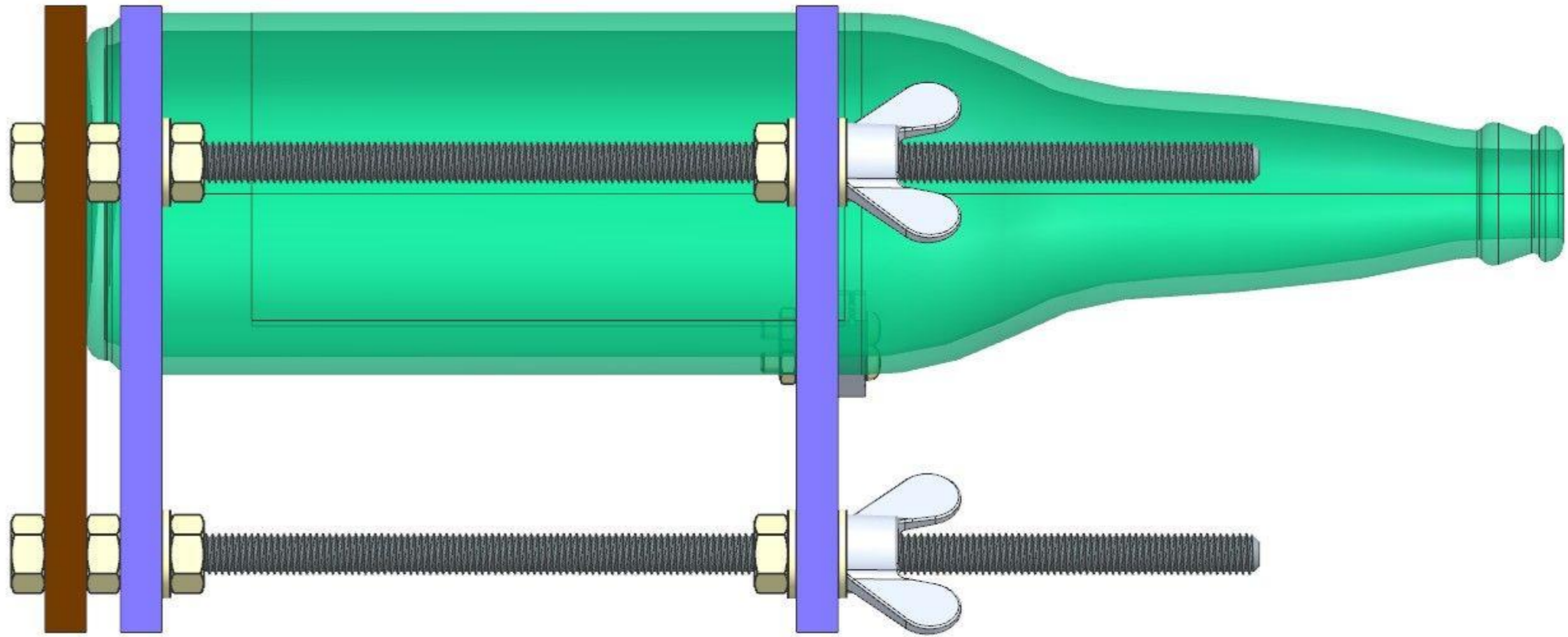


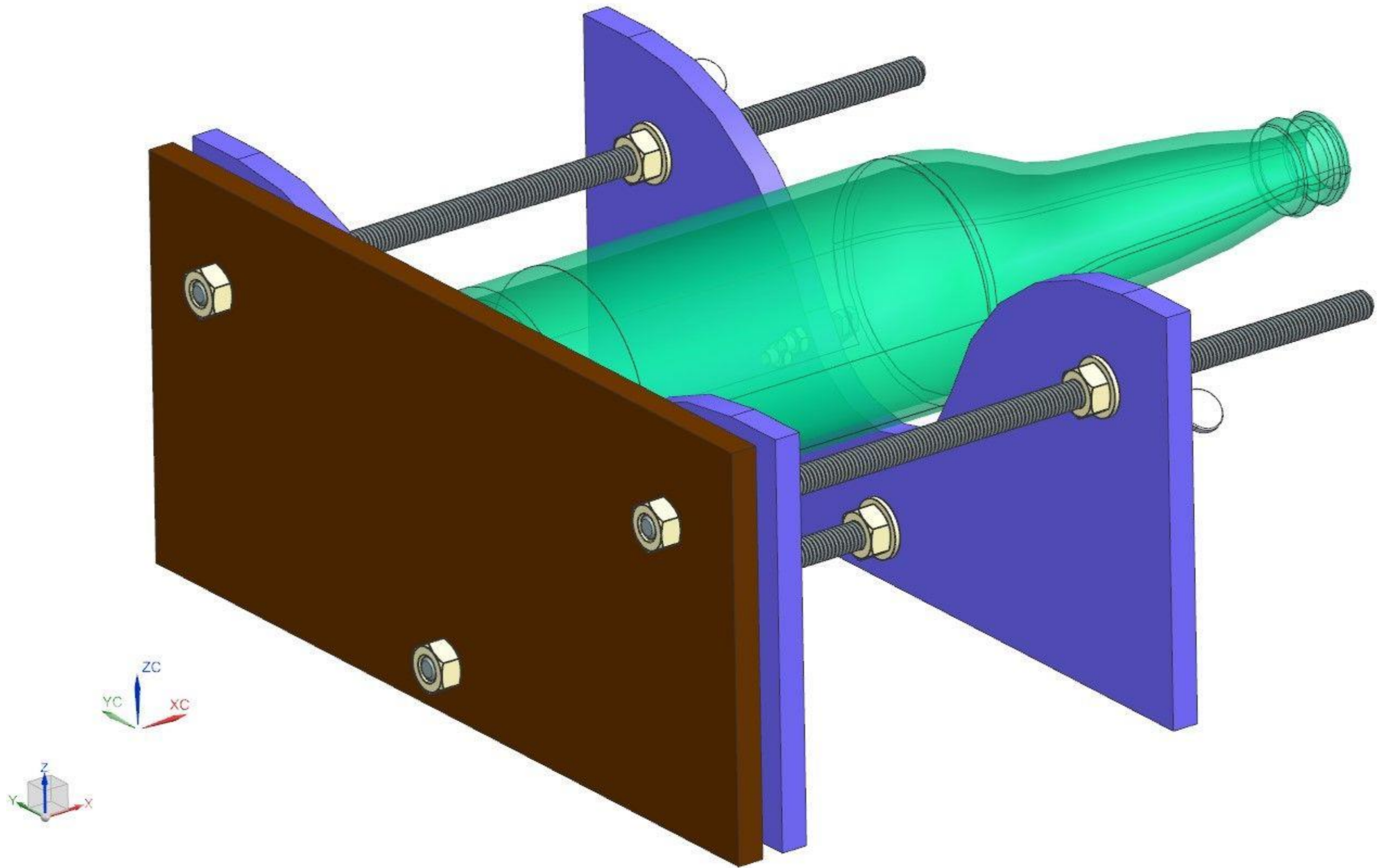
Threated rod M8, L=240
Nut M8
Flat washer 8
Wing nut M8

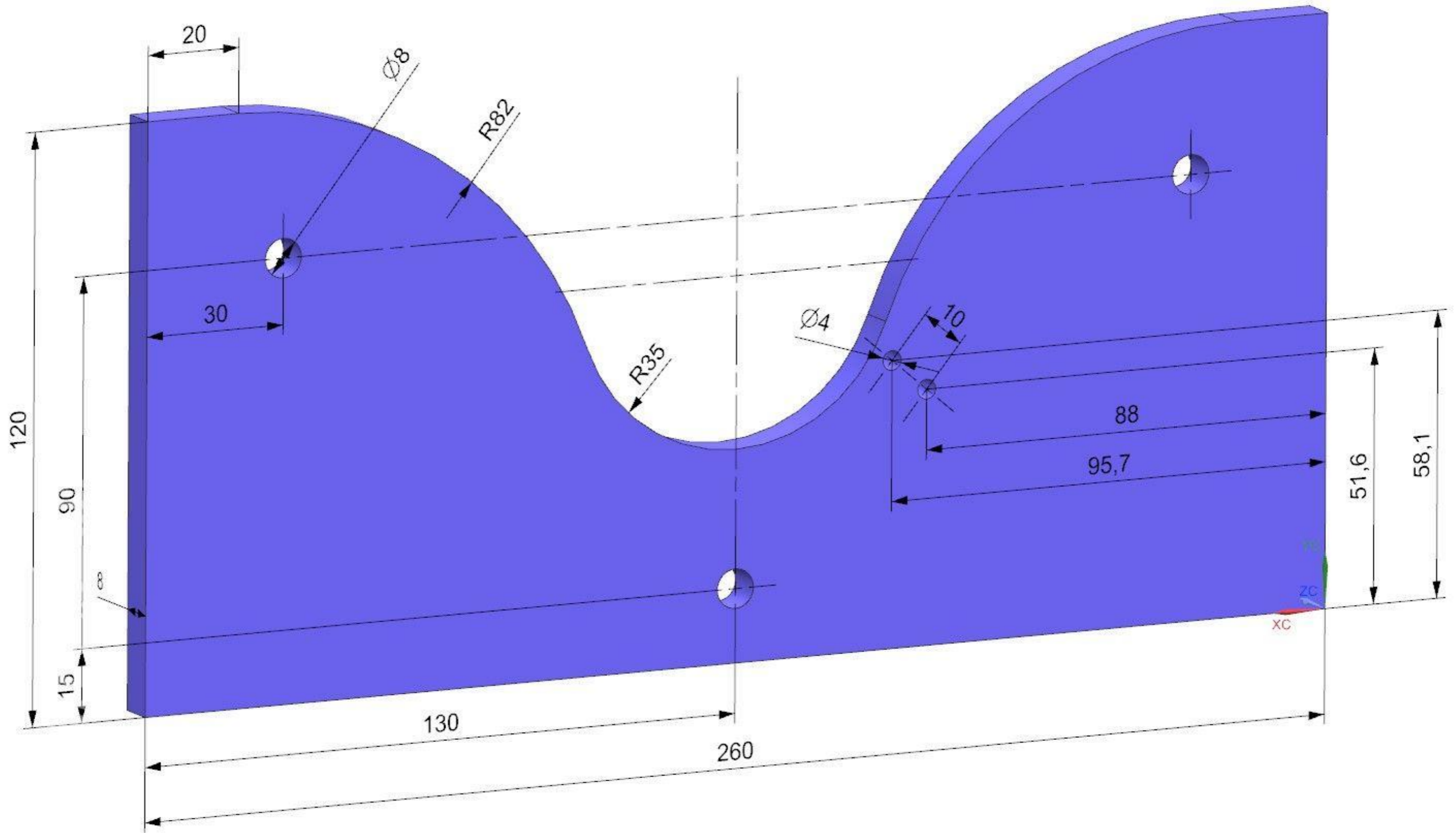


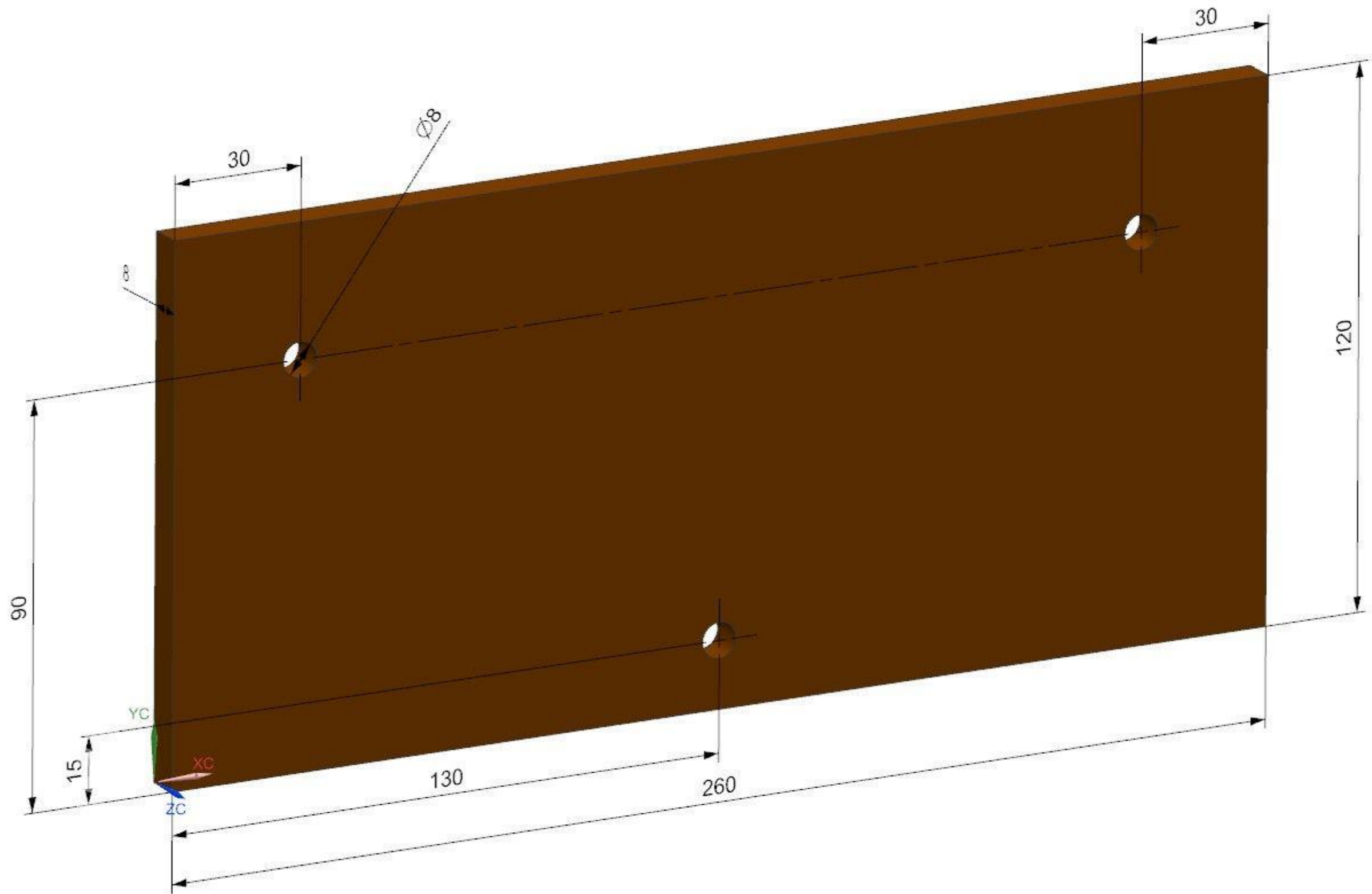
Glass cutter replacement head
Screw M4x20
Nut M4



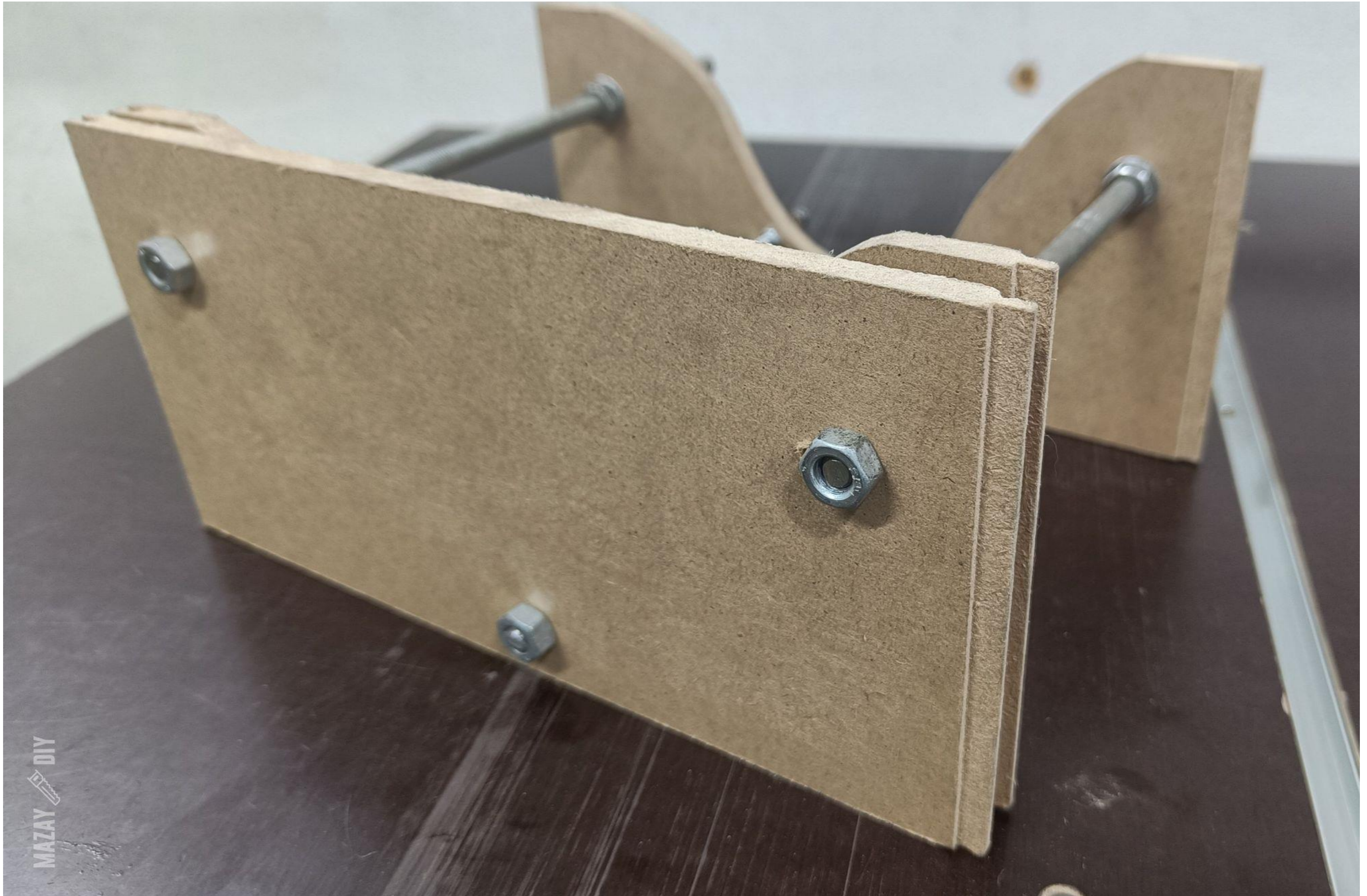














All dimensions in millimeters (mm)

Other tools and jigs:

[DIY Angle Grinder Stand](#)

[Drill bit organizer](#) + [Plans](#)

[DIY Drill Press Stand](#) + [Plans](#)

[DIY Hold down clamps](#) + [Printable templates](#)

[Mini Chainsaw Mill](#) + [Plans](#)