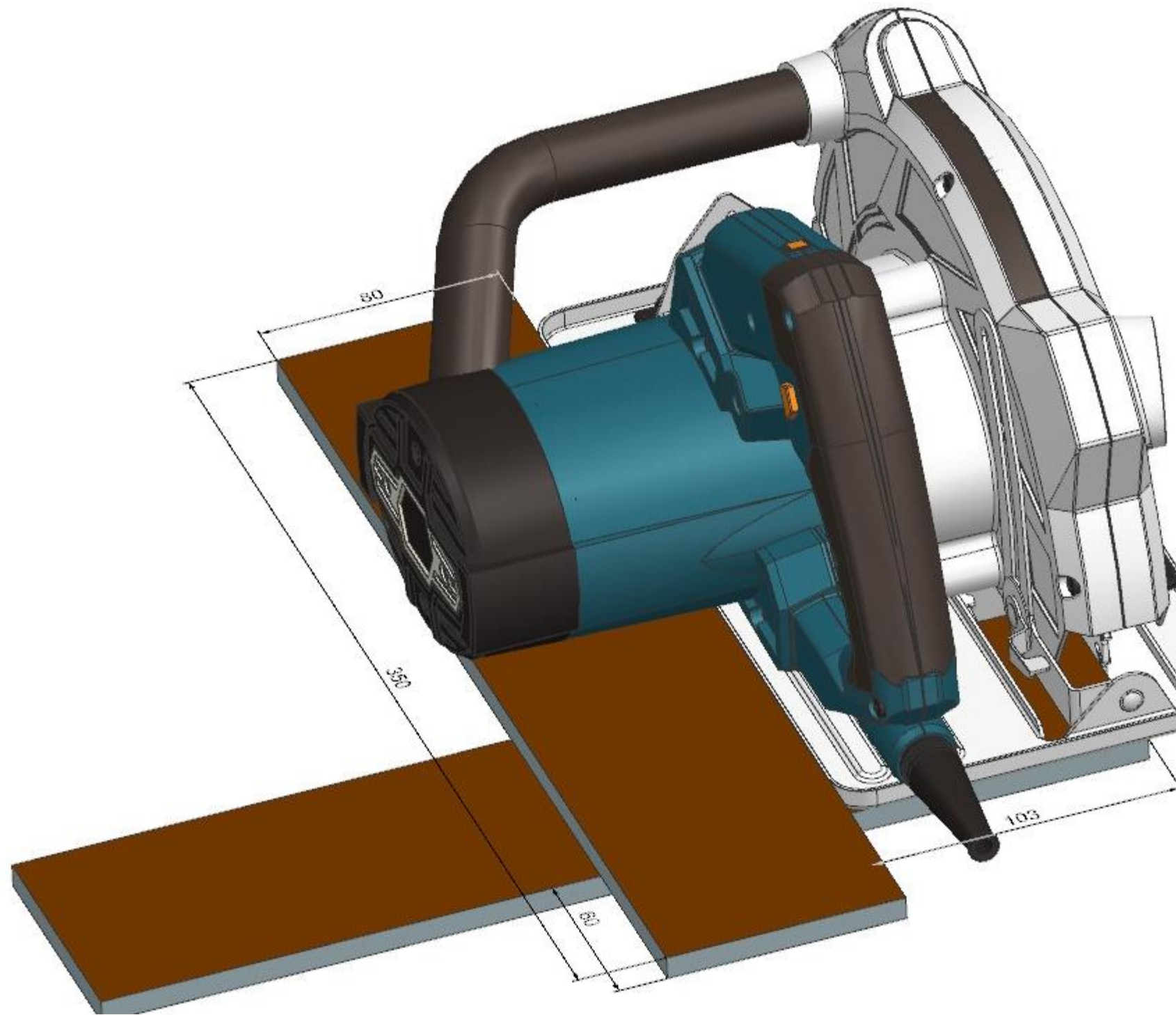


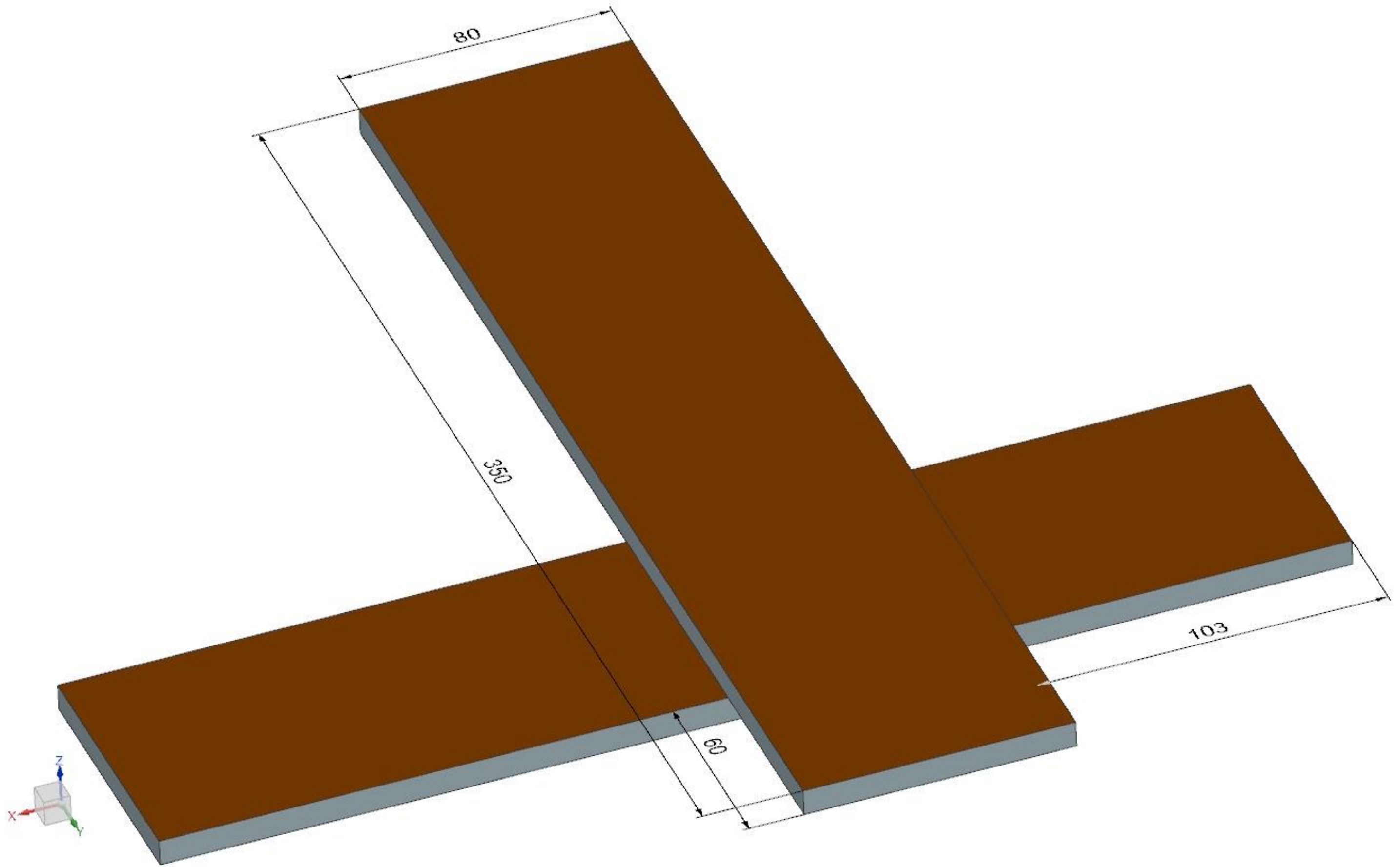
DIY Saw Crosscut jig | Plans with dimensions

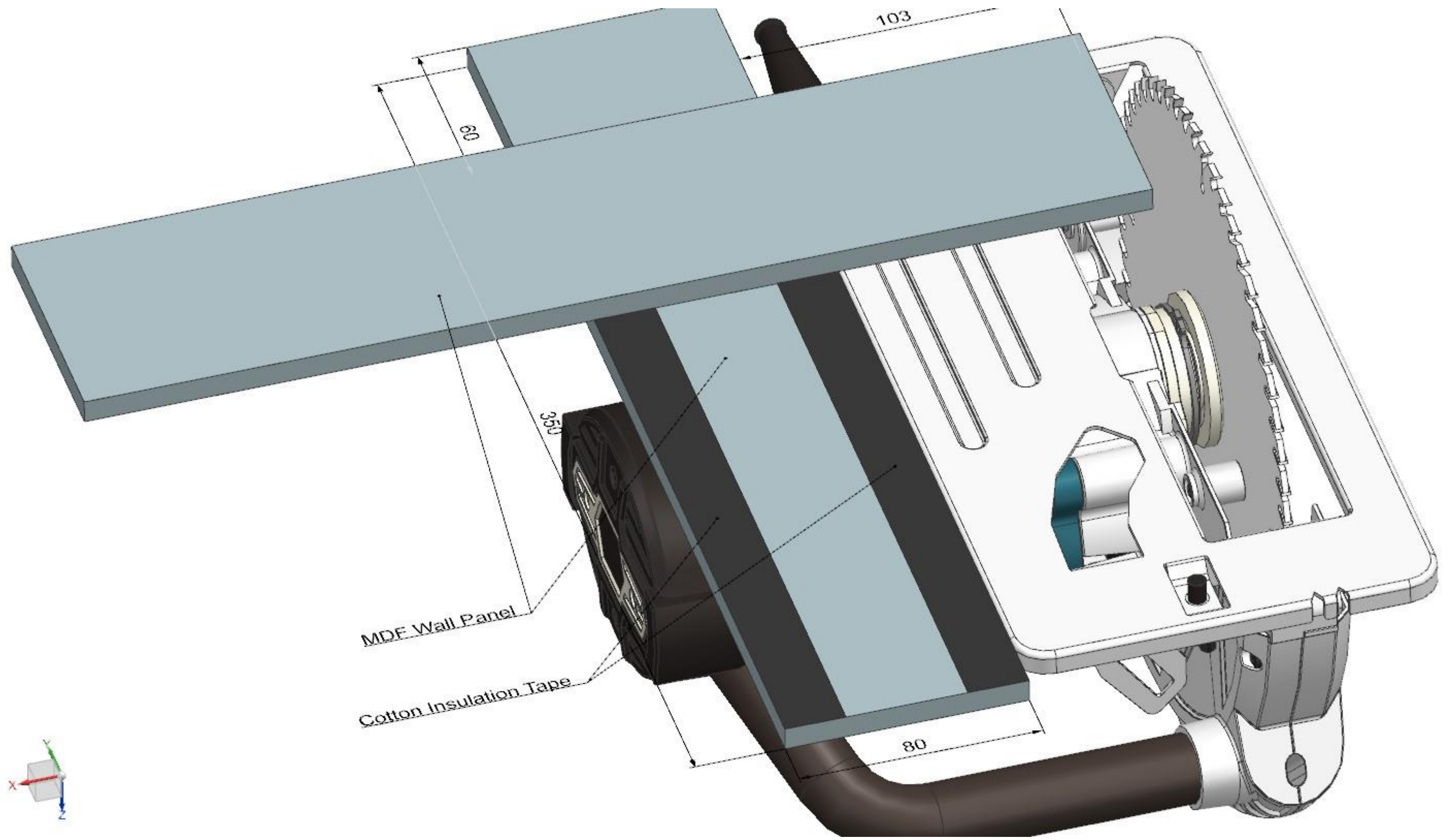


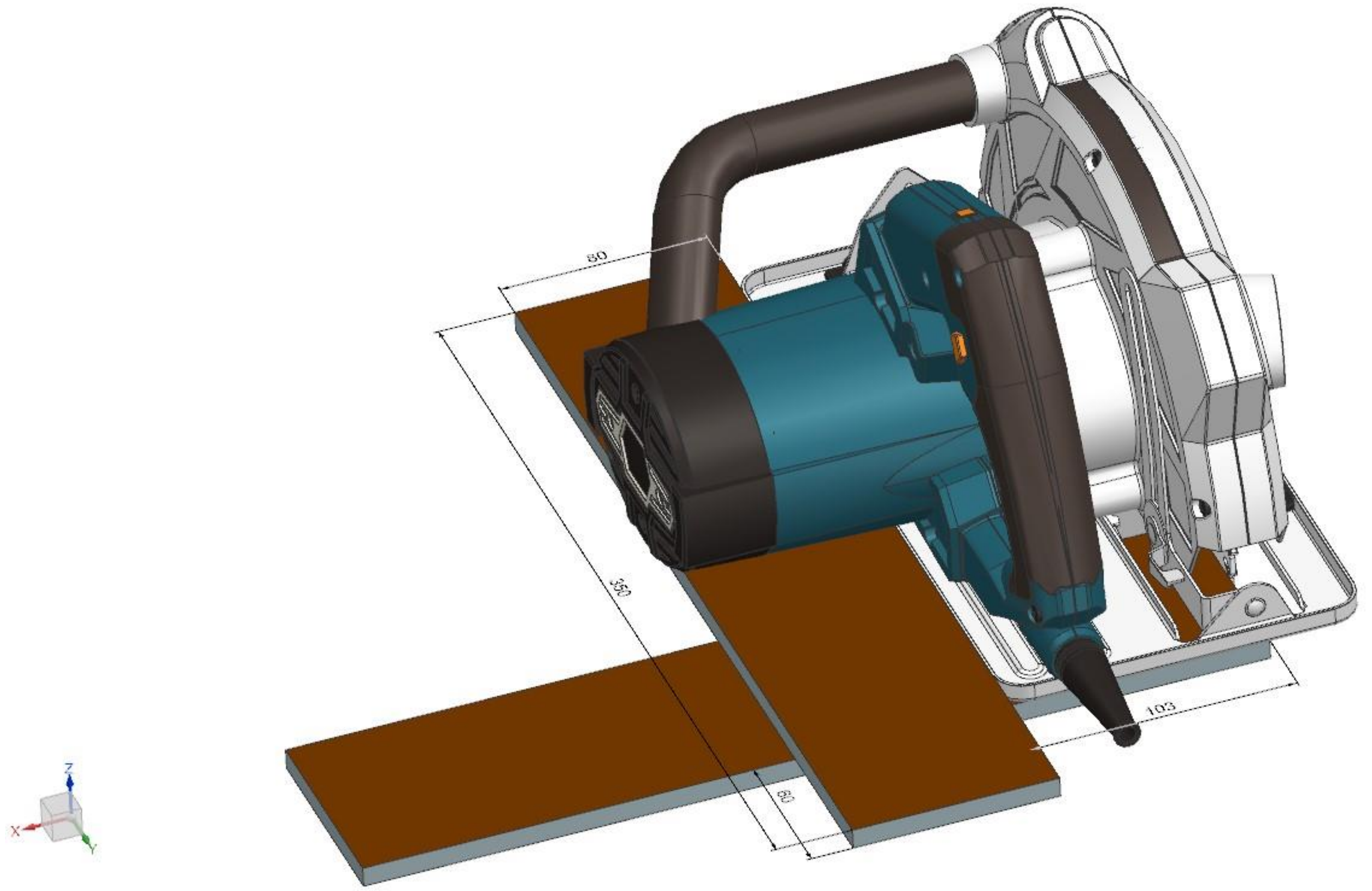


Fasteners and Materials:

- Laminate flooring
- Sandpaper
- Screws







All dimensions in millimeters (mm)

Other tools and jigs:

[DIY Angle Grinder Stand](#)

[Drill bit organizer + Plans](#)

[DIY Drill Press Stand + Plans](#)

[DIY Hold down clamps + Printable templates](#)

[Mini Chainsaw Mill + Plans](#)

[Buy me a coffee](#) 