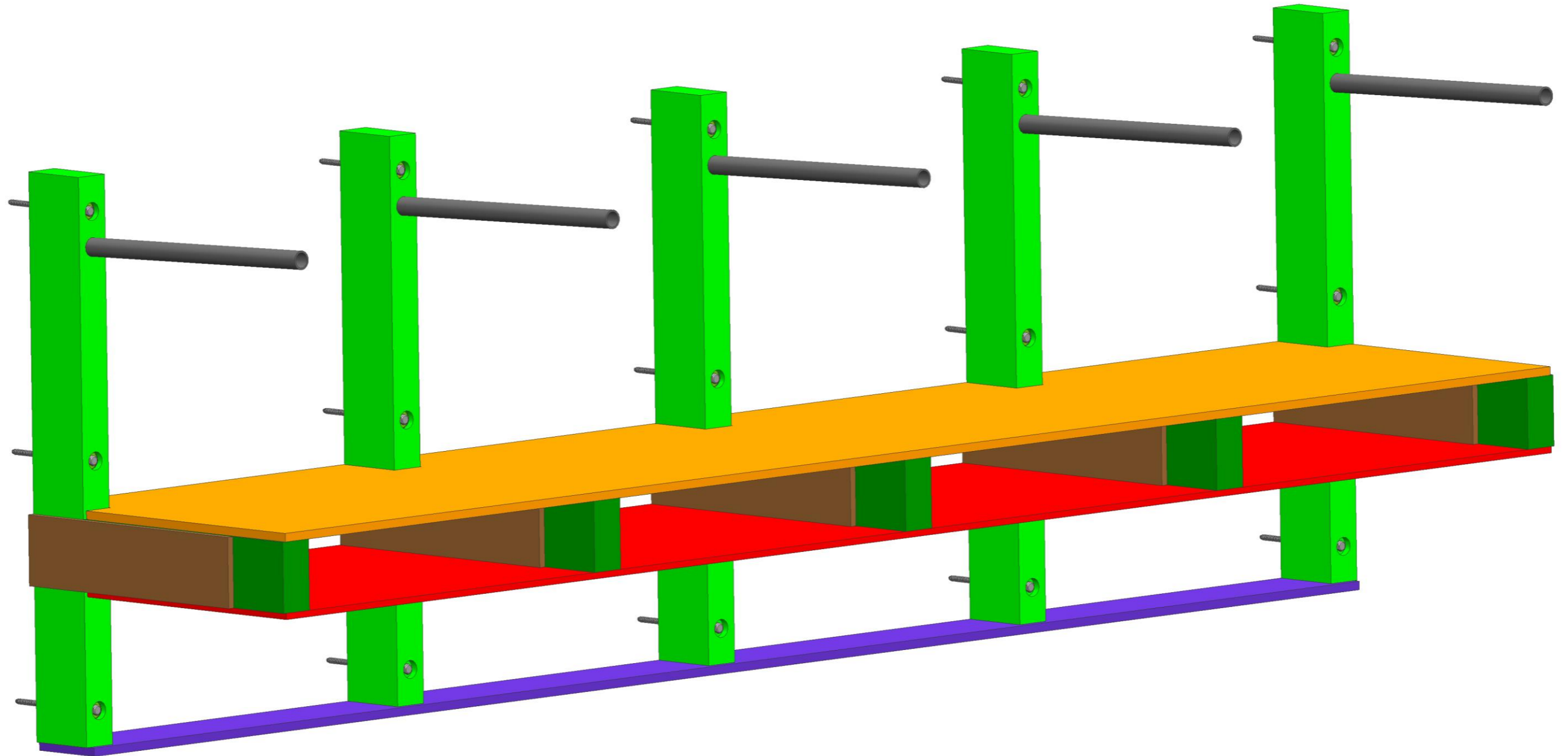


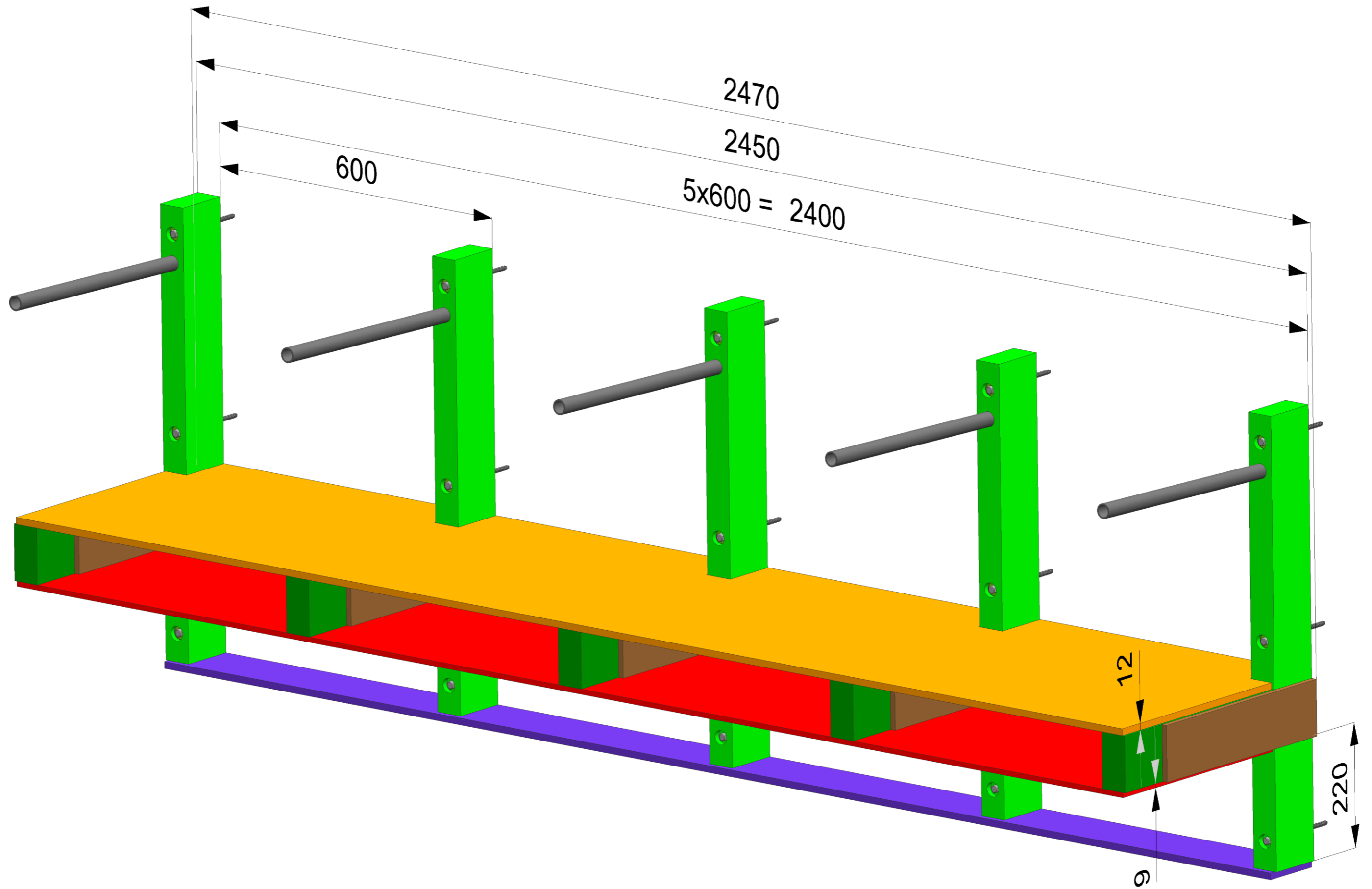
# DIY garage storage shelves plans

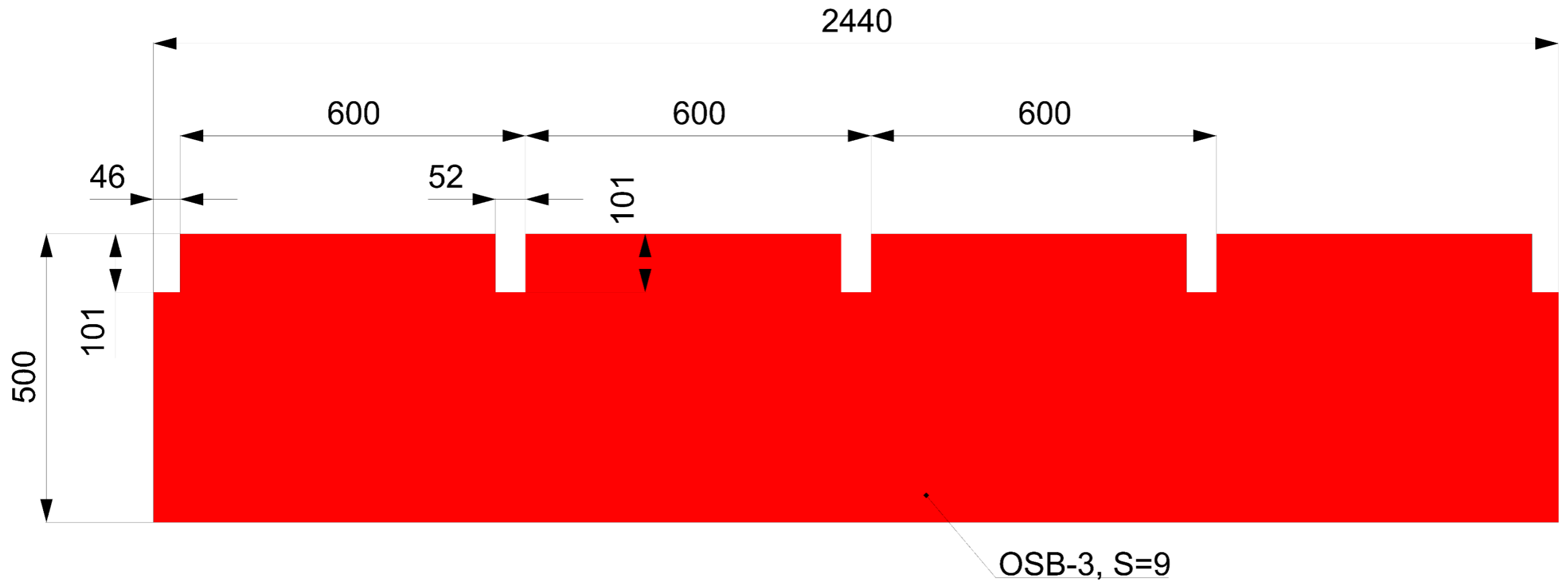


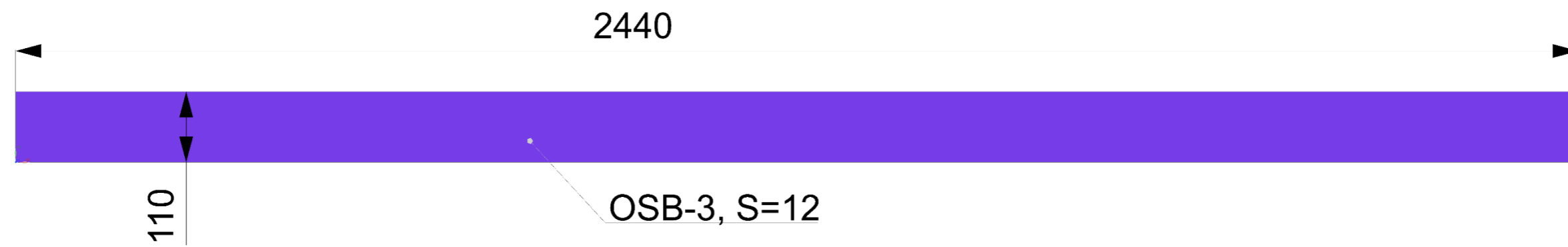
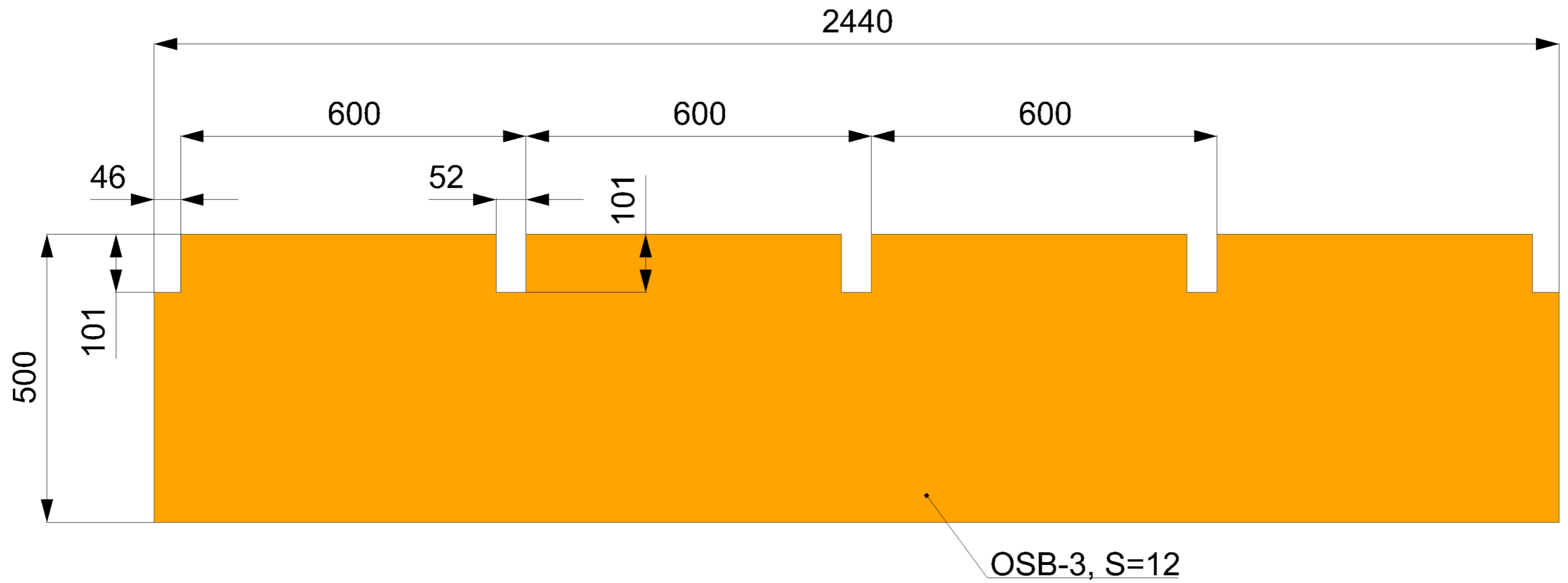


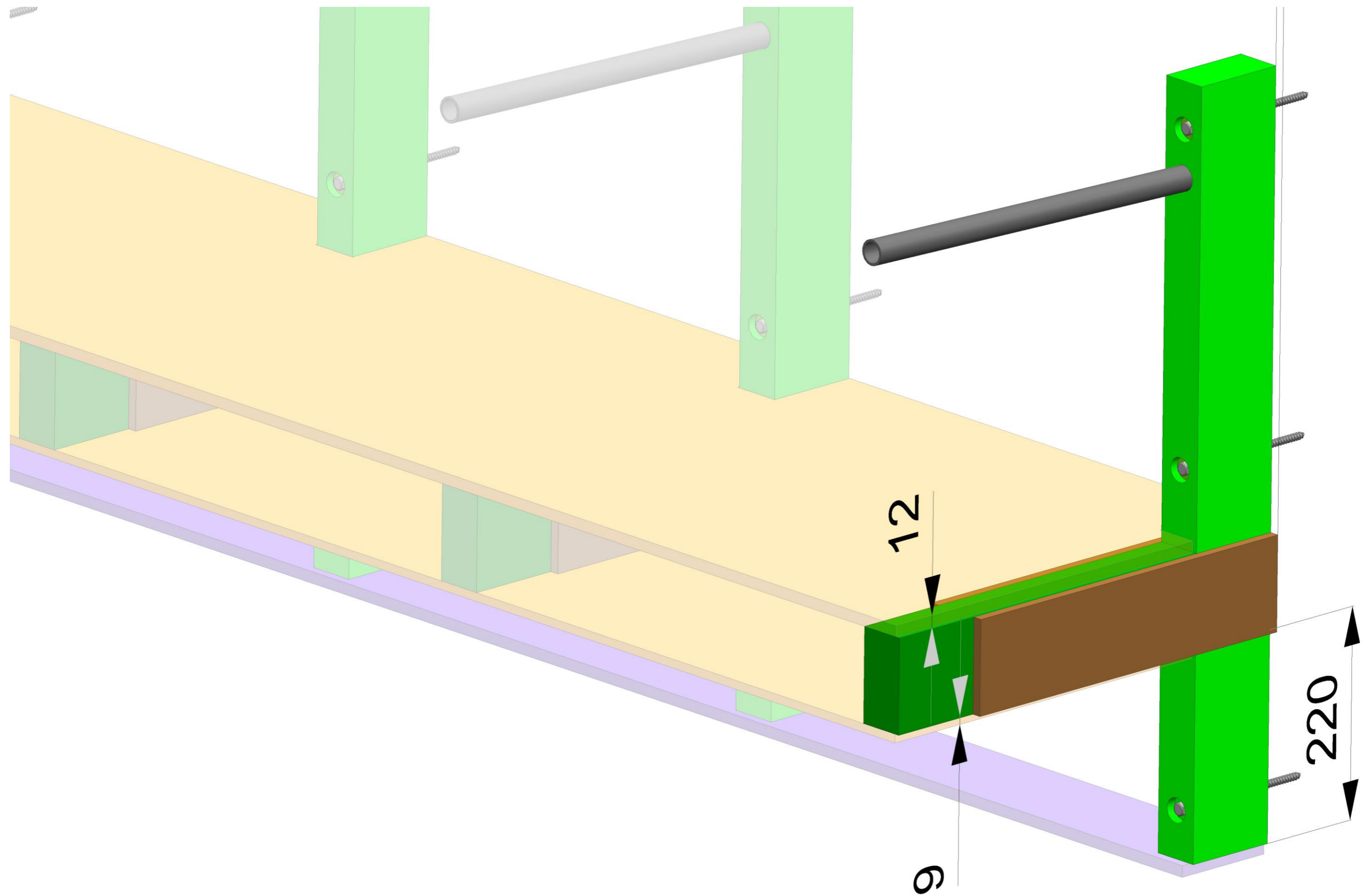
### Fasteners and Materials:

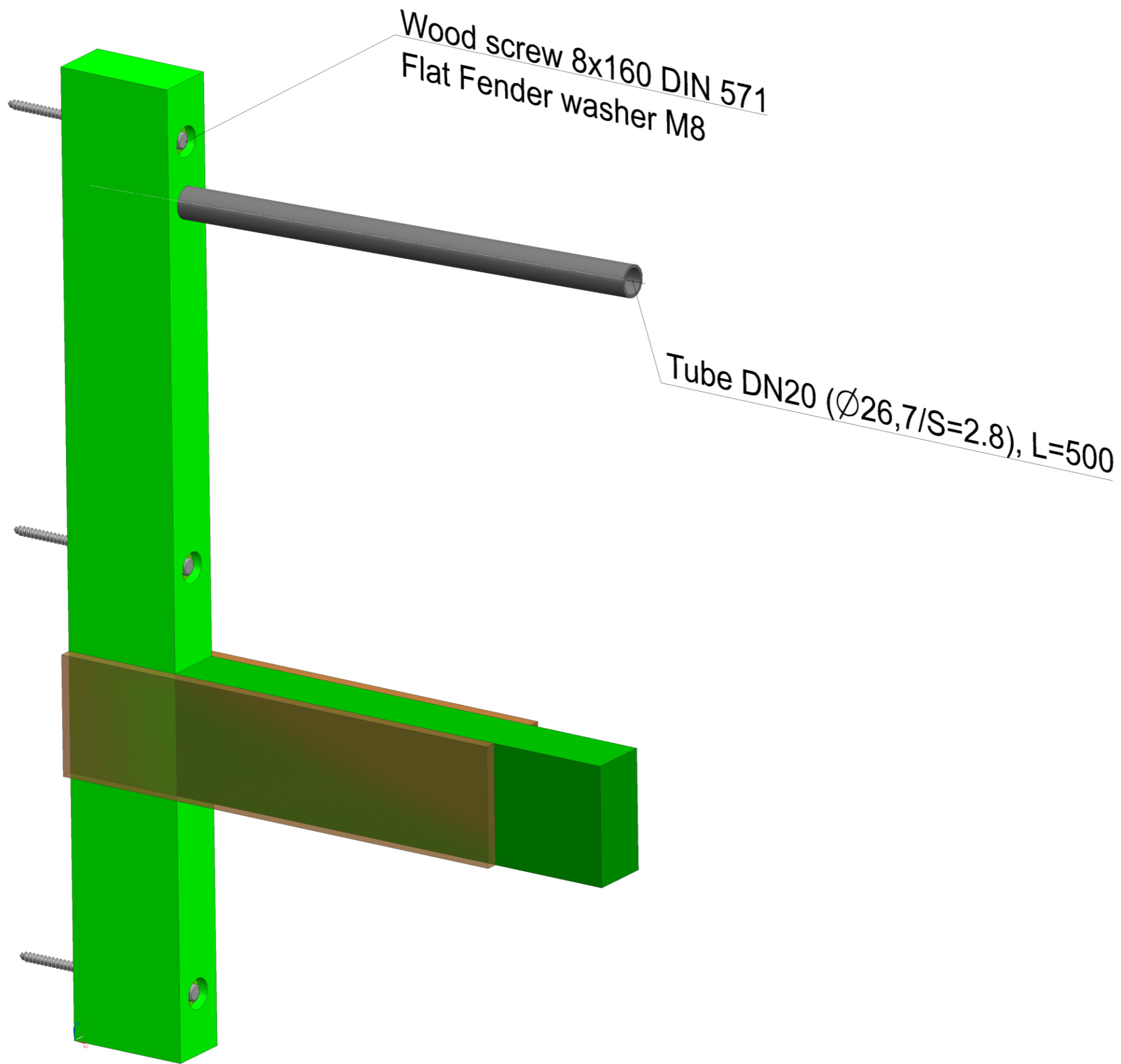
1. Lumber 50×100 mm (2 x 4')
2. Plywood 10 mm
3. OSB Boards 9 mm
4. OSB Boards 12 mm
5. Wood Screws
6. [Hex Lag Screw, 3/8" x 6"](#)
7. Stainless steel tube Ø25x1
8. [Flat Fender washer M8](#)

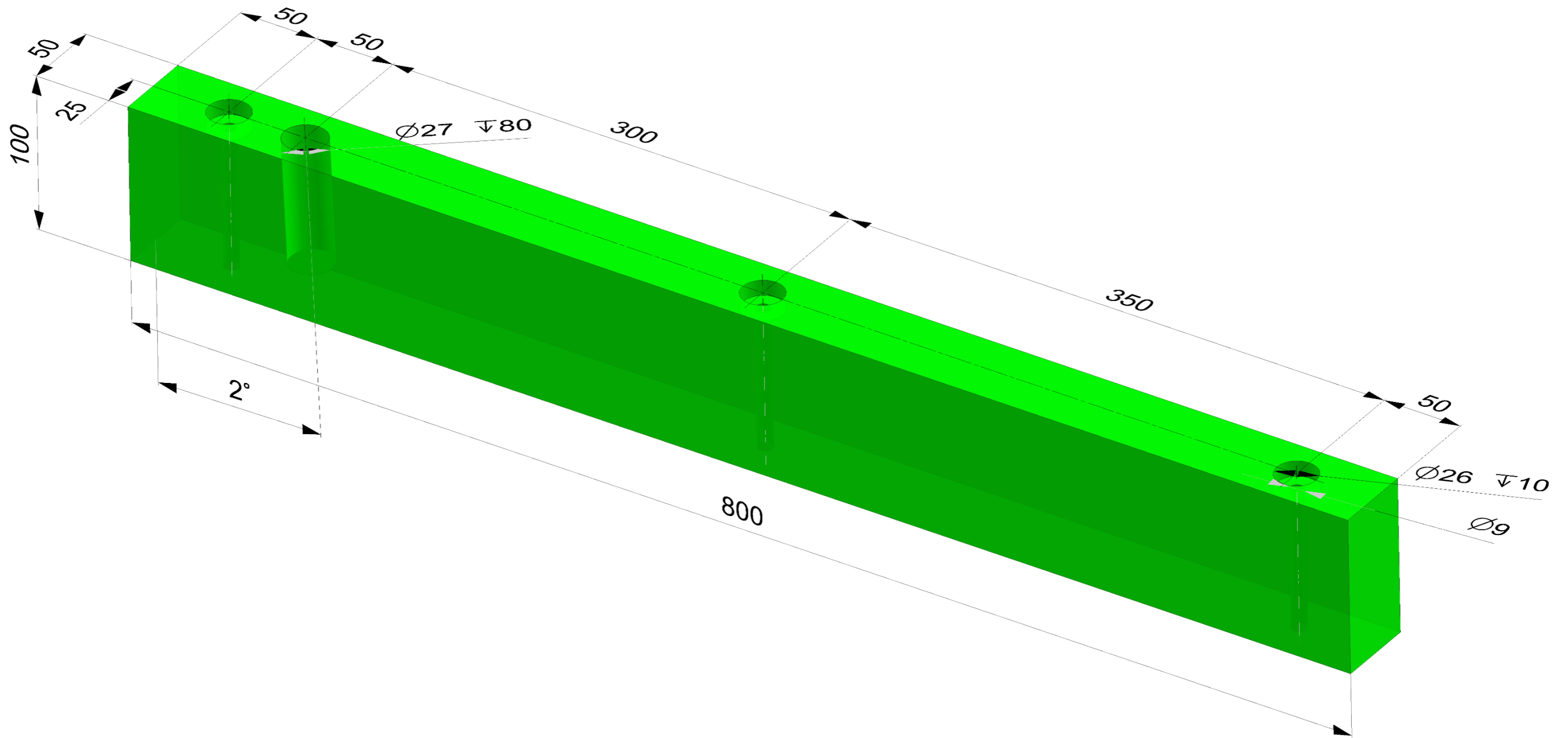




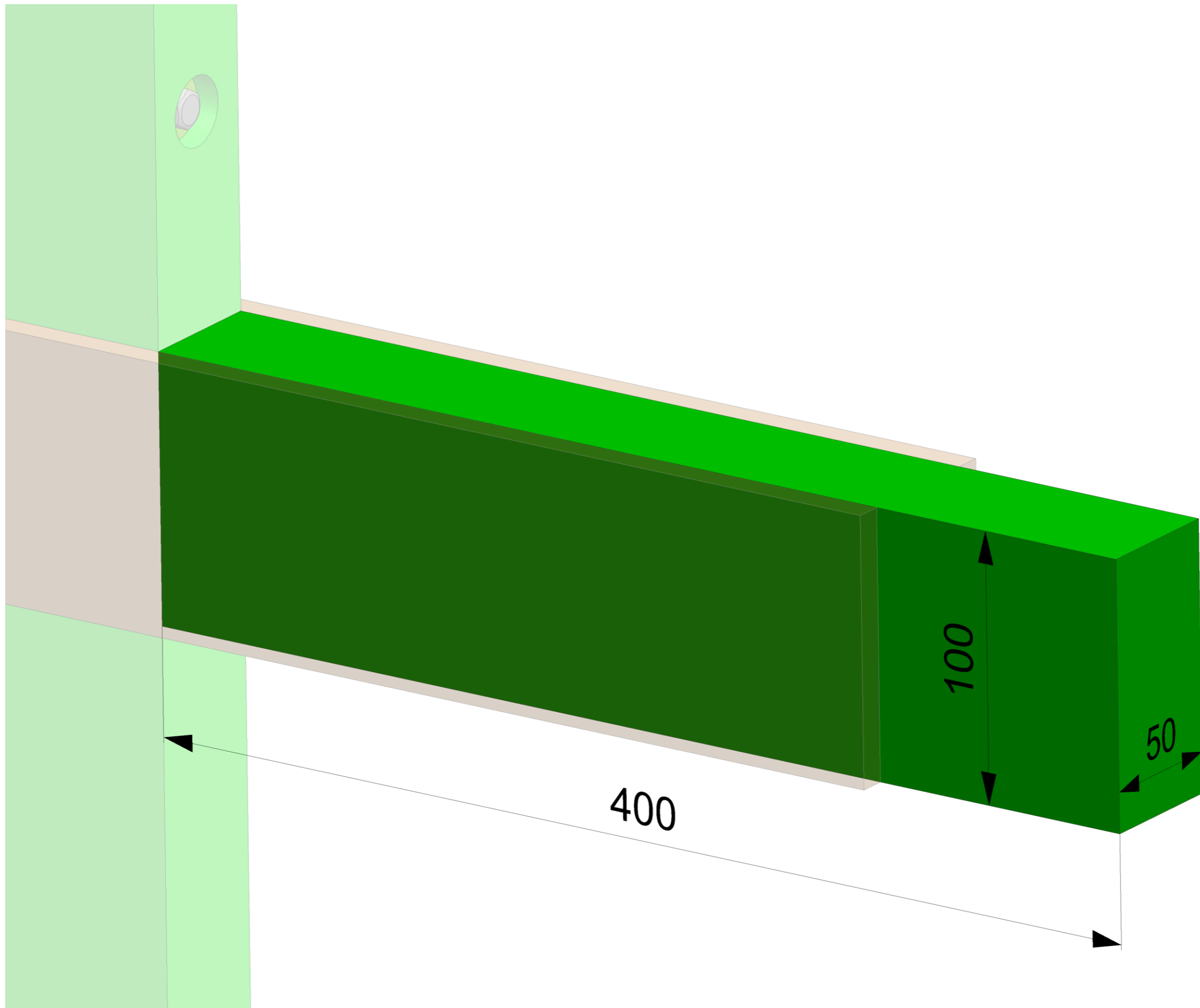


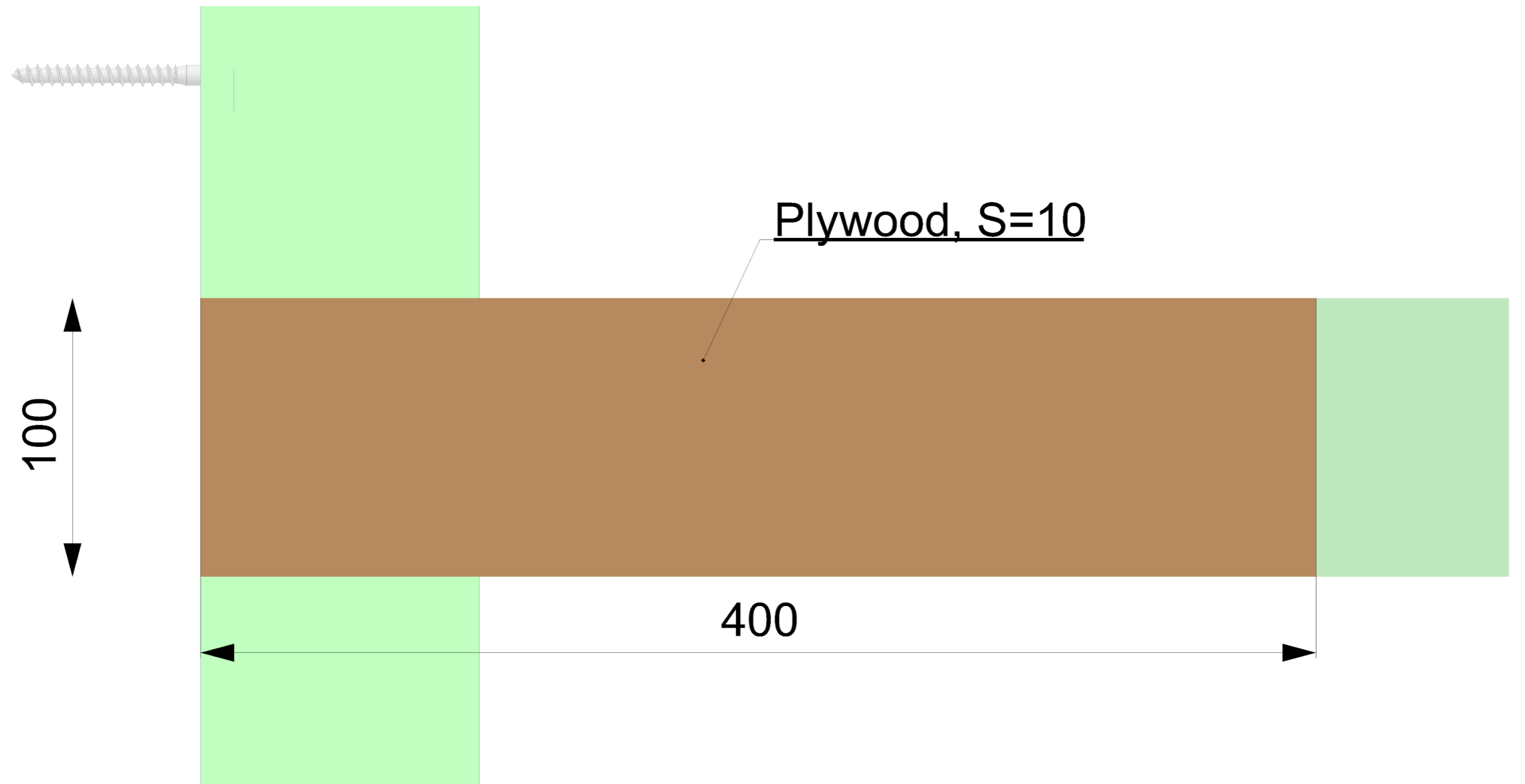




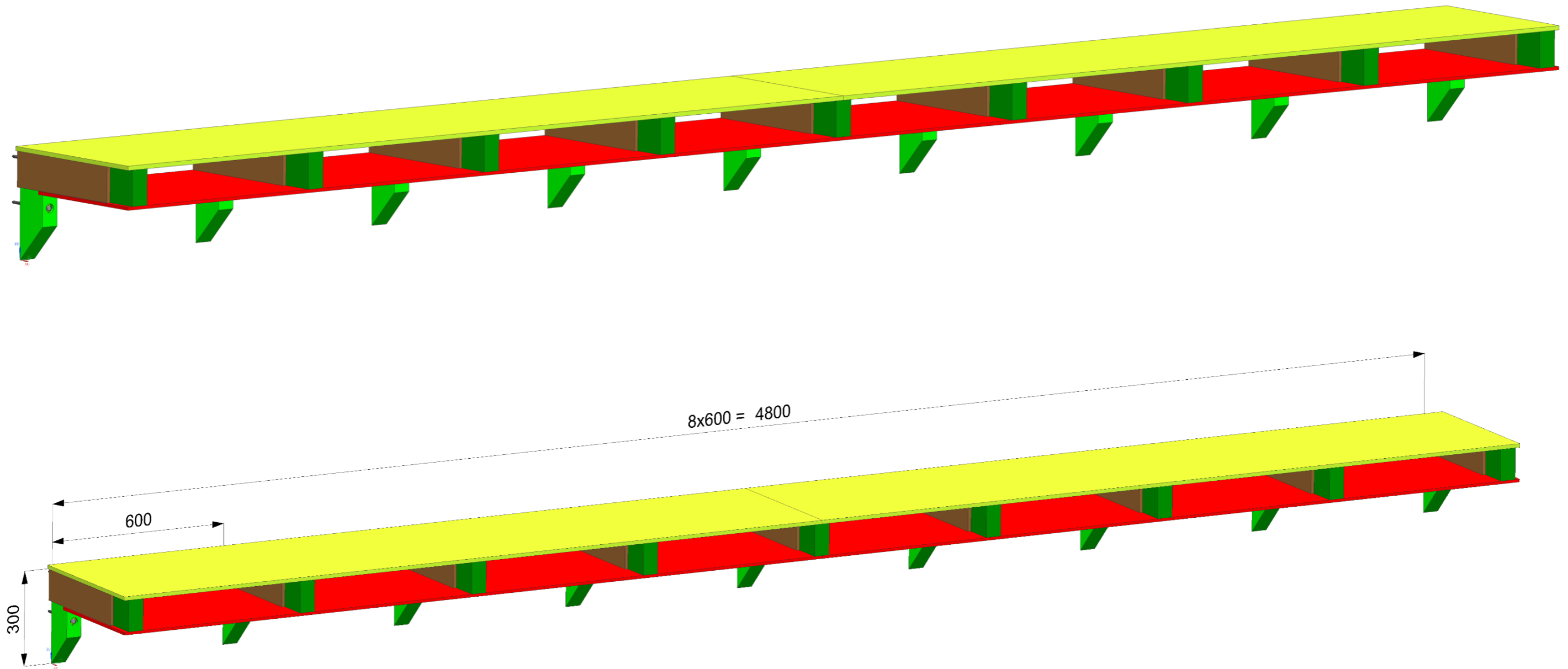


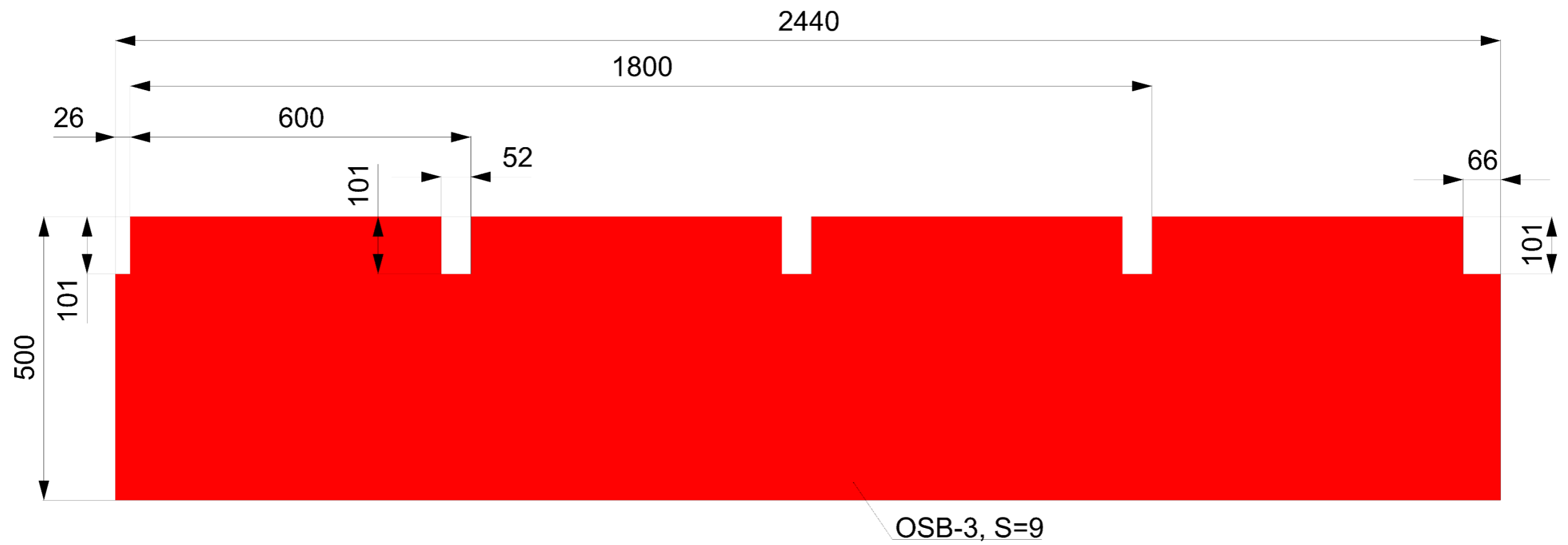
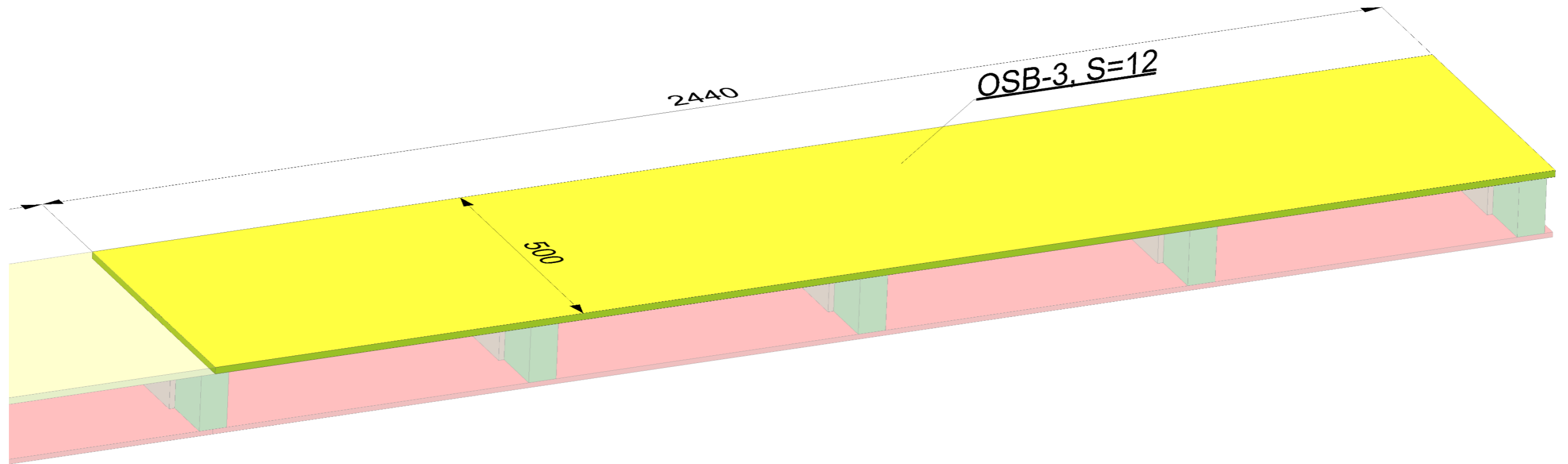


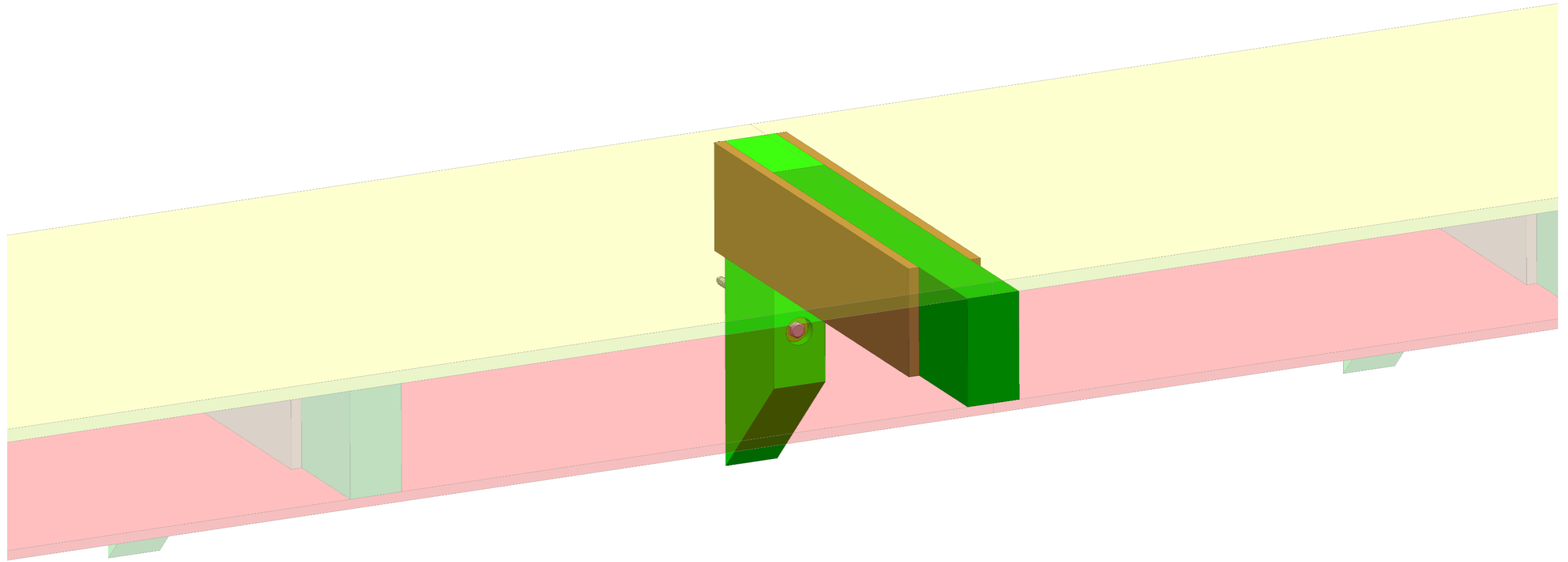


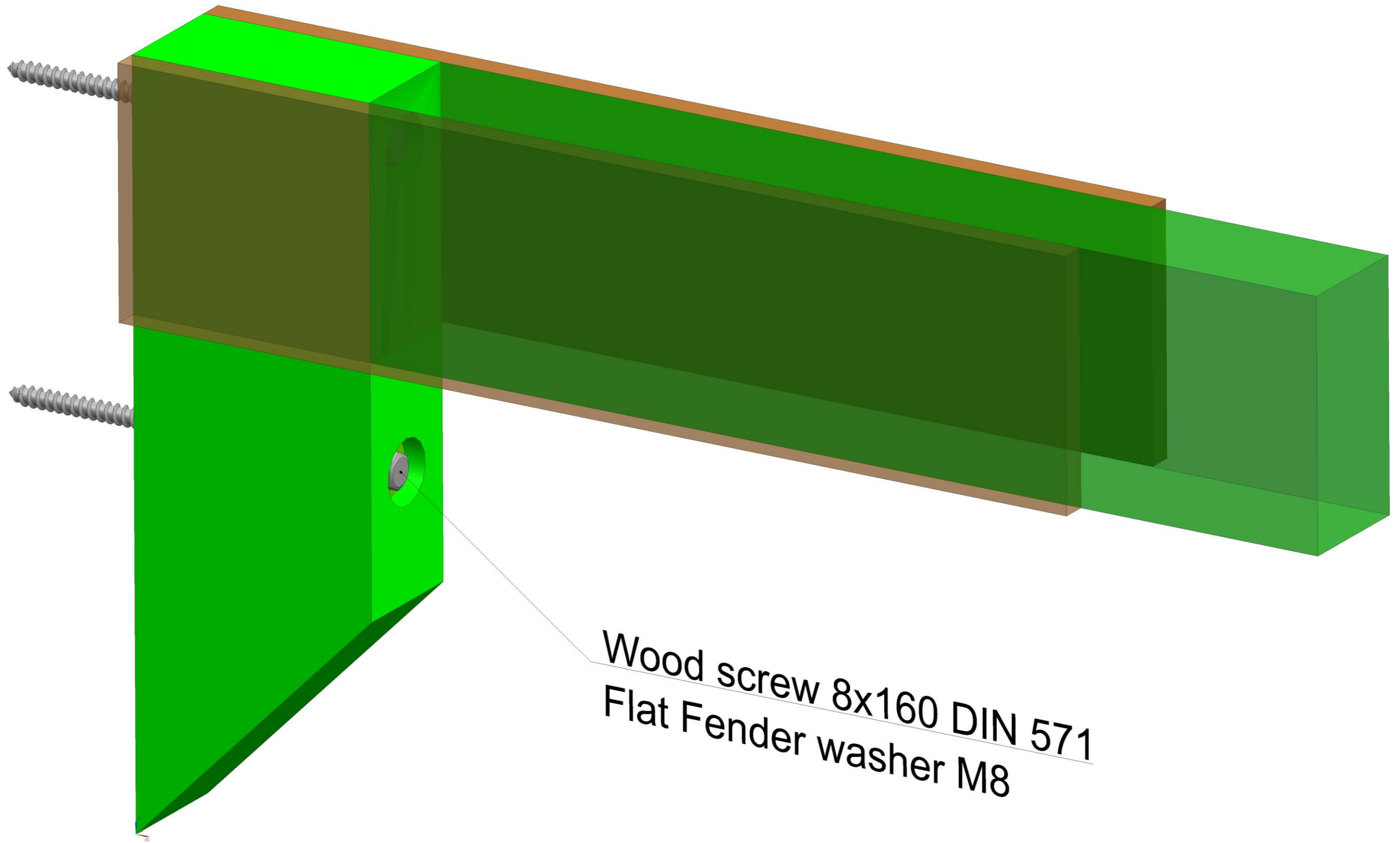


# DIY Lumber Rack

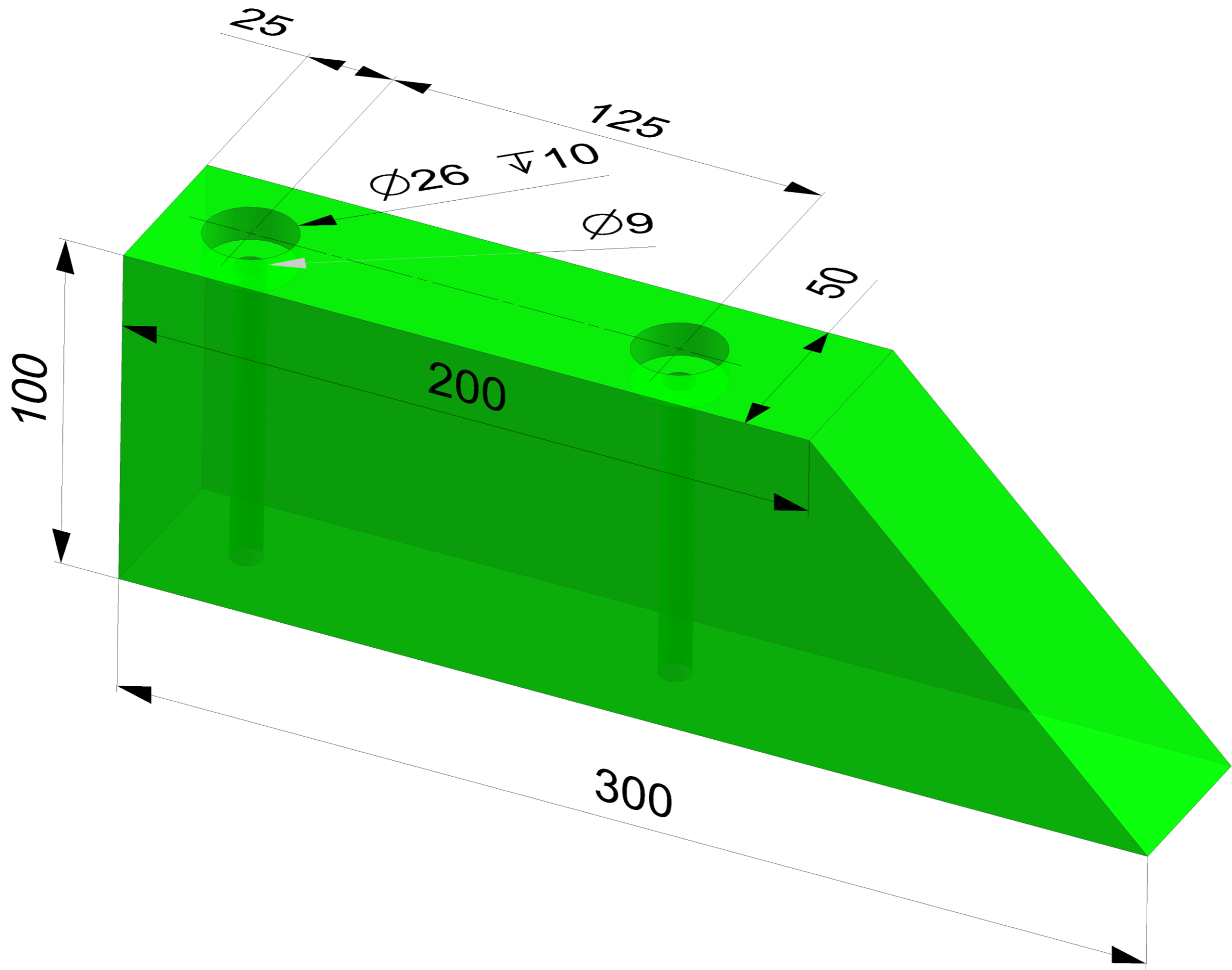


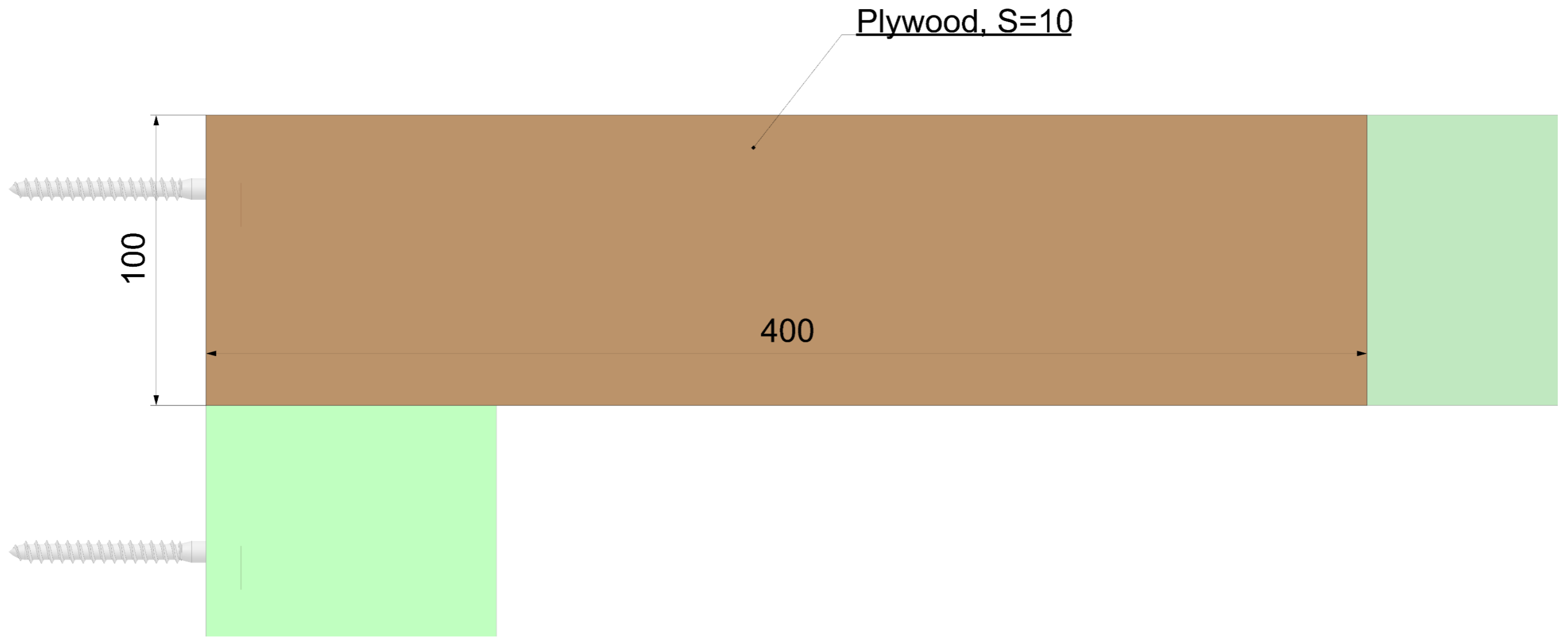




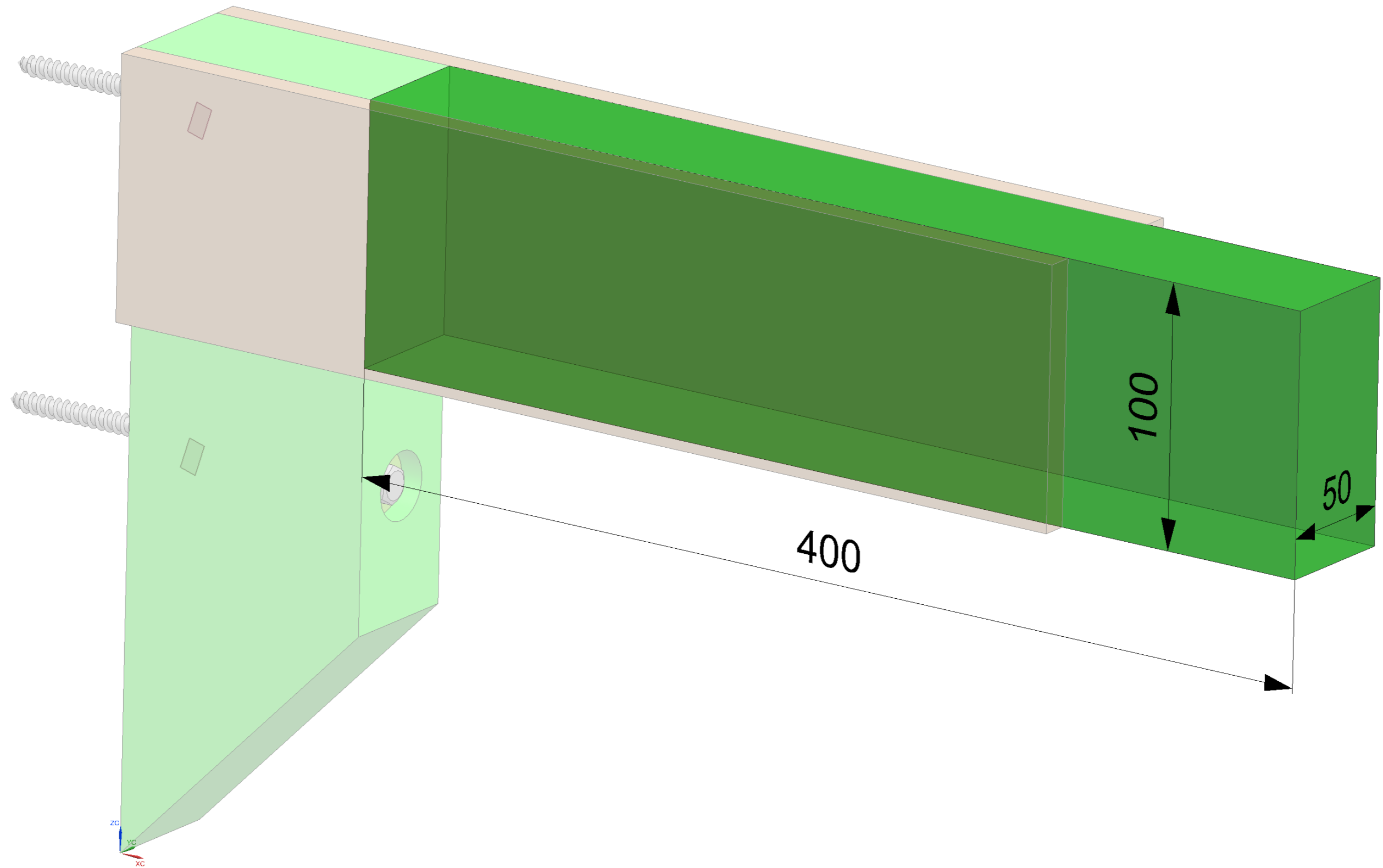


Wood screw 8x160 DIN 571  
Flat Fender washer M8











All dimensions are in millimeters (mm)

Other tools and jigs:

[DIY Angle Grinder Stand](#)

[Drill bit organizer + Plans](#)

[DIY Drill Press Stand + Plans](#)

[DIY Hold down clamps + Printable templates](#)