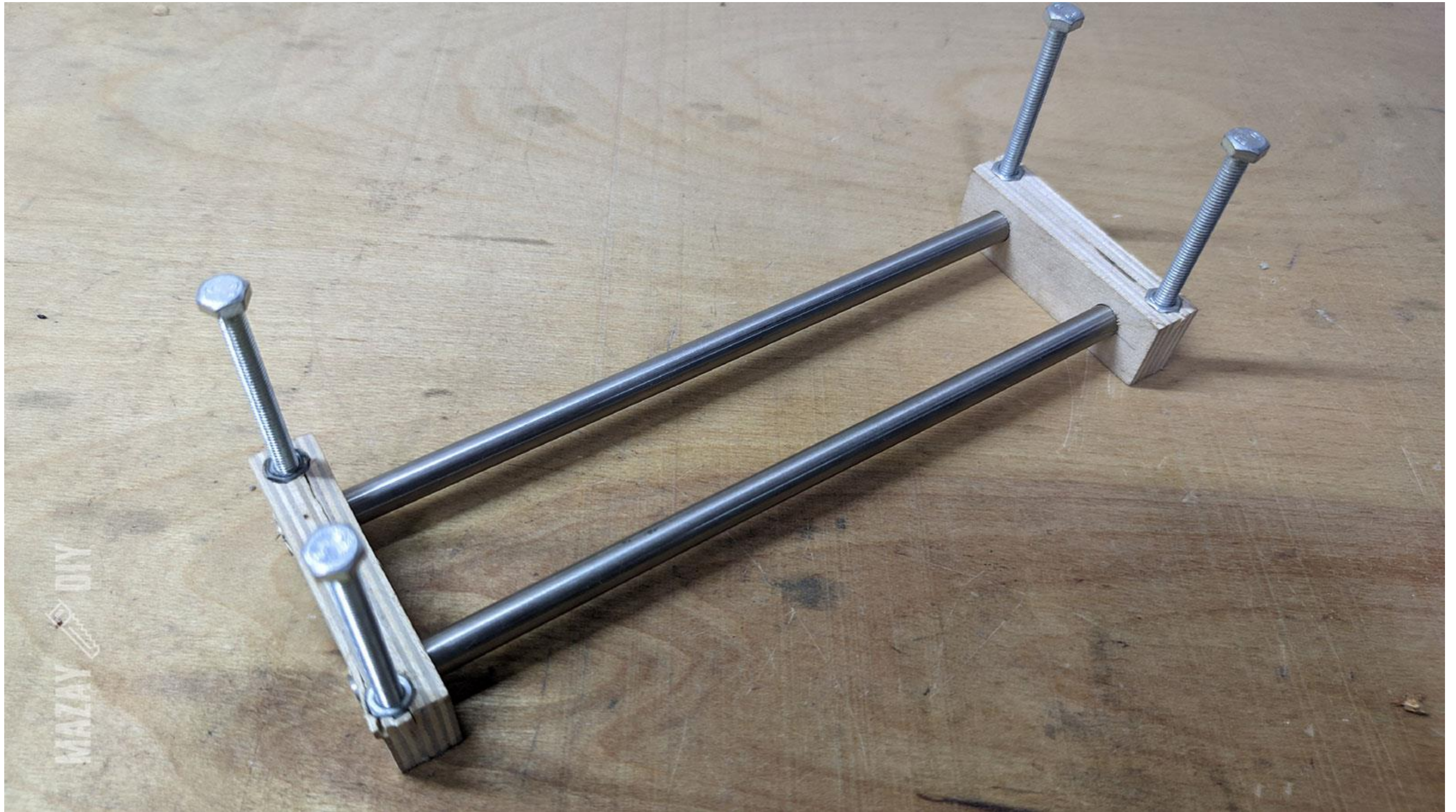
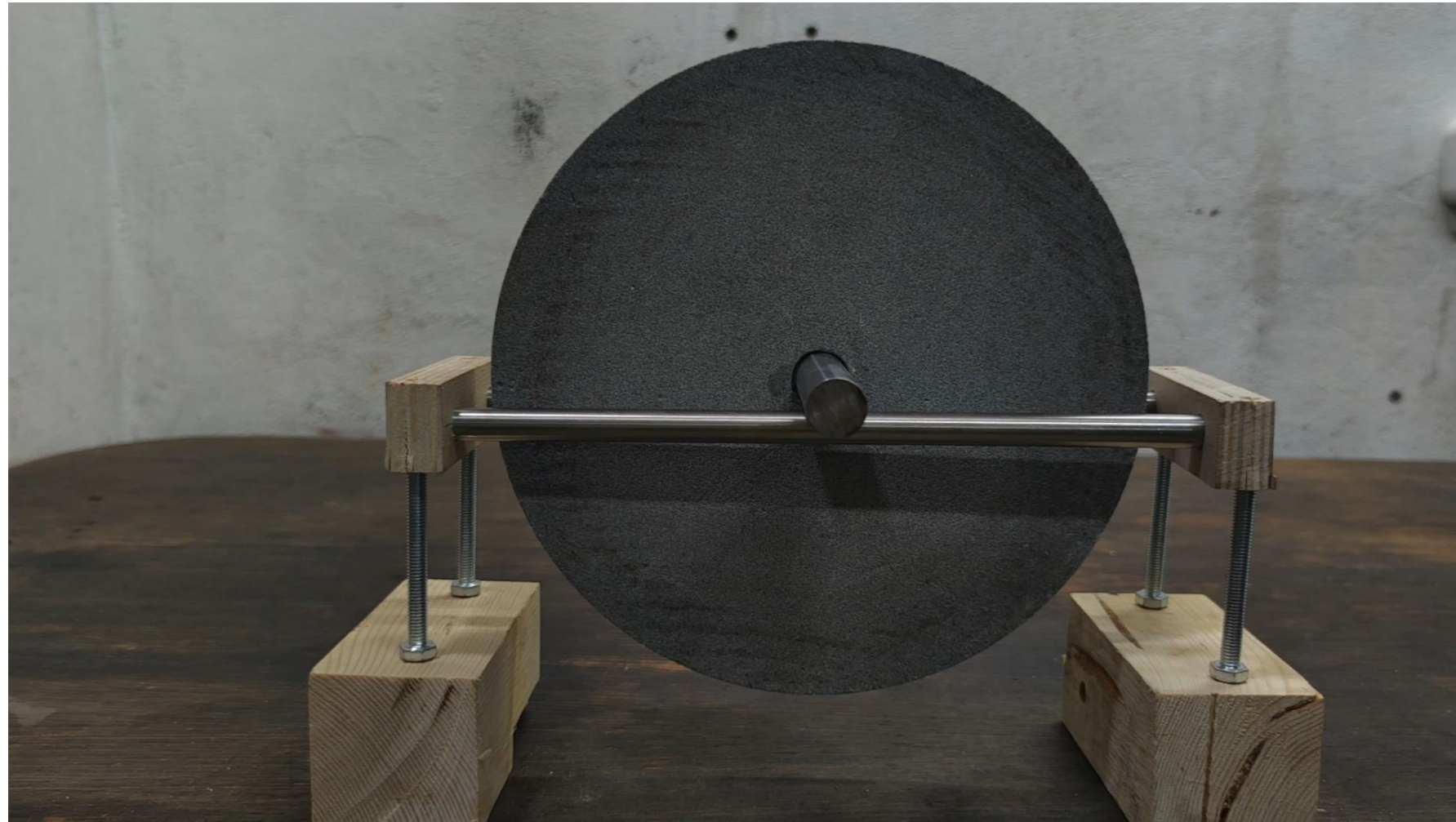


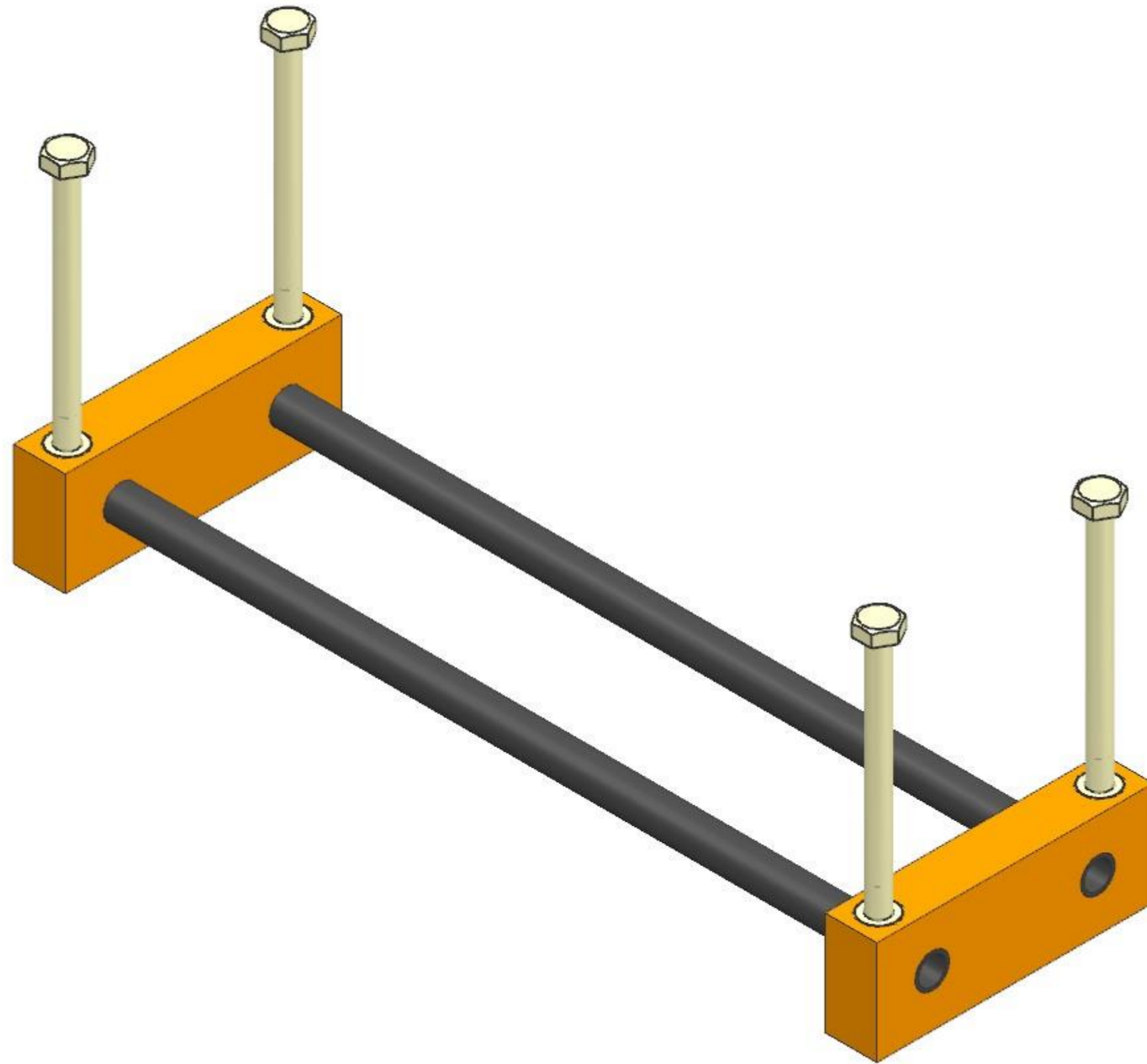
DIY Grinding wheel balancing jig

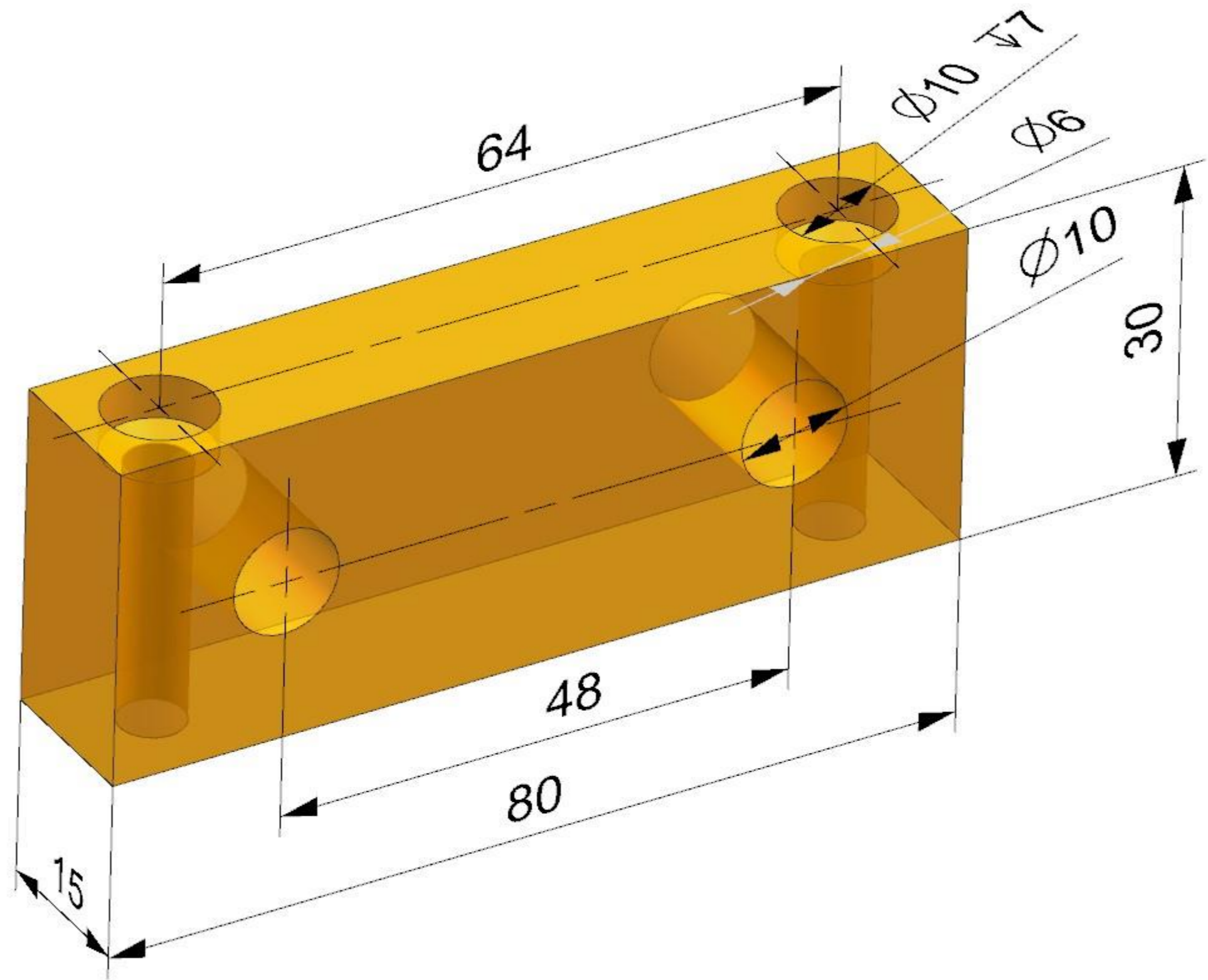
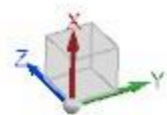


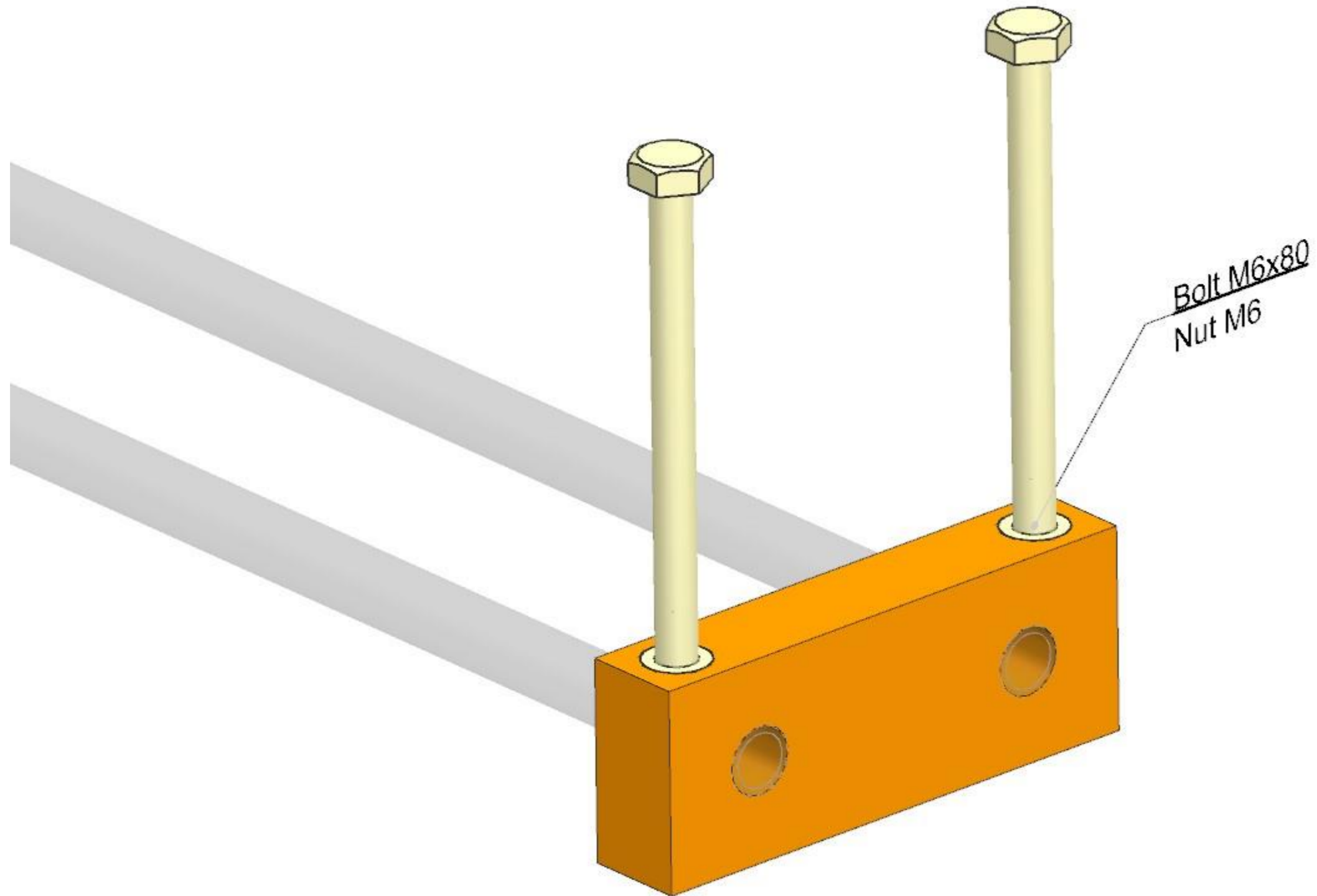


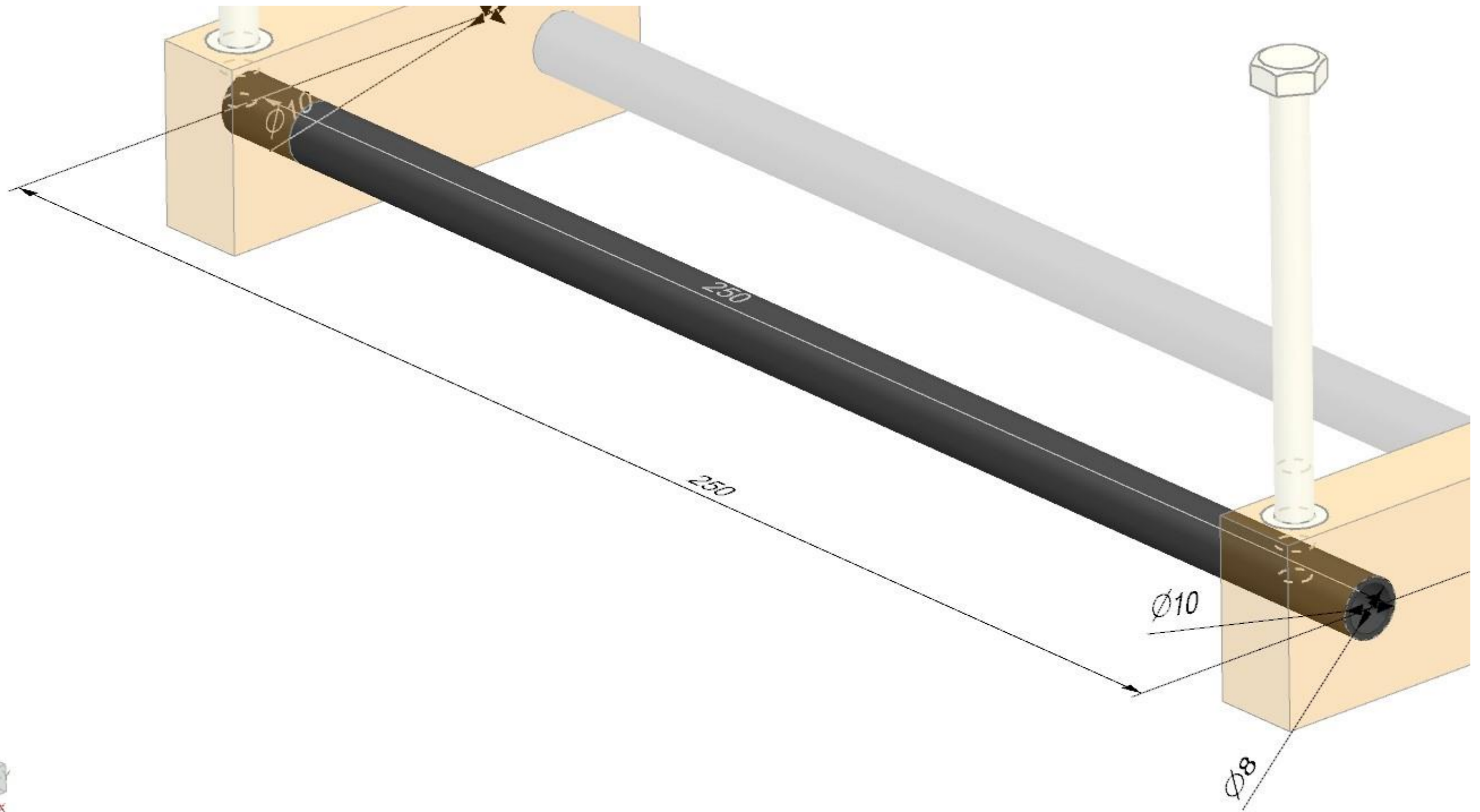
Fasteners and Materials:

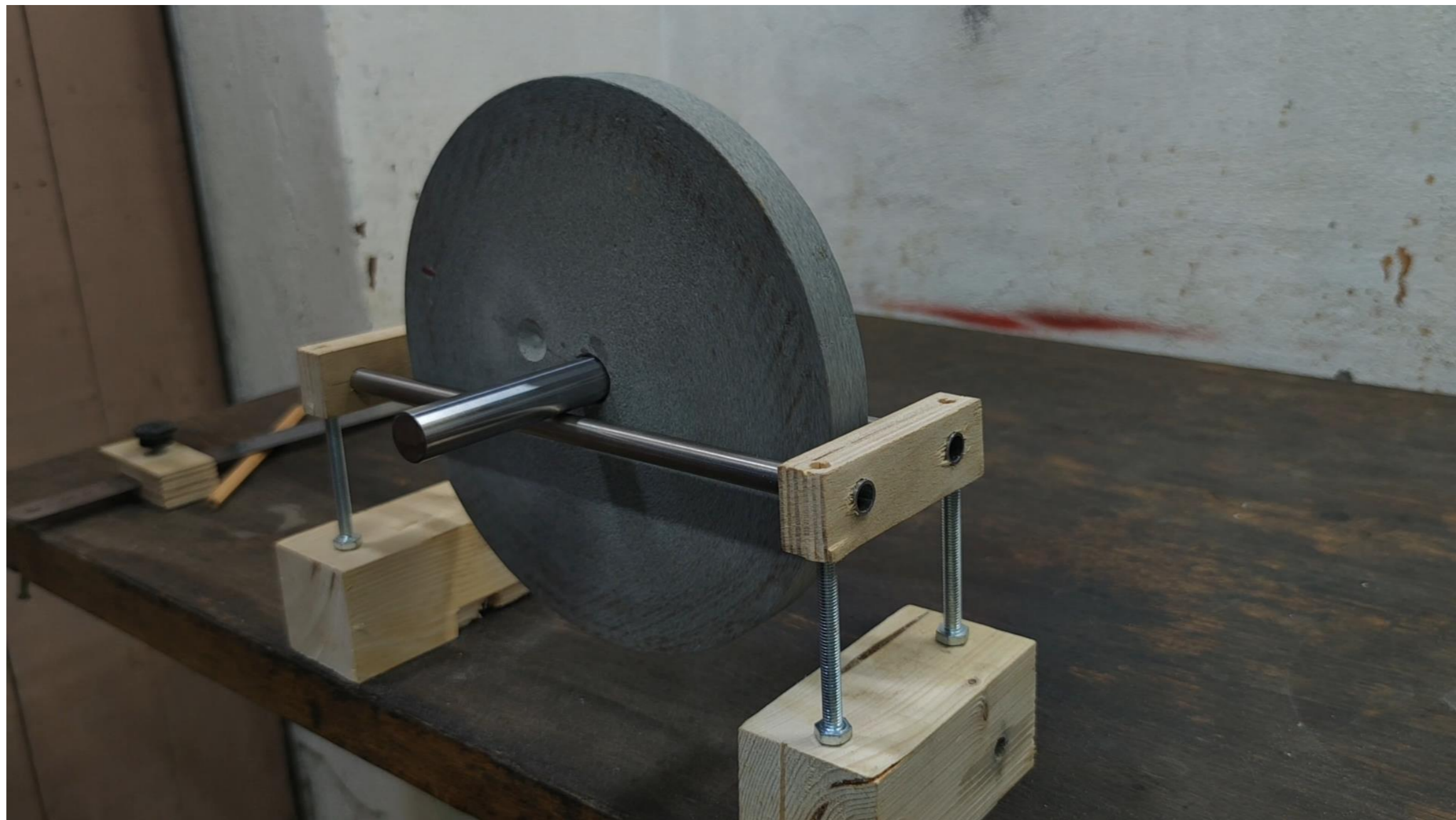
- [Bolt M6 x 80](#) x 4
- [Nut M6](#) x 4
- Tube 10x1, L=250 x 4
- Plywood 15 mm











All dimensions in millimeters (mm)

Other tools and jigs:

[DIY Angle Grinder Stand](#)

[Drill bit organizer + Plans](#)

[DIY Drill Press Stand + Plans](#)

[DIY Hold down clamps + Printable templates](#)

[Mini Chainsaw Mill + Plans](#)

[Buy me a coffee](#) 