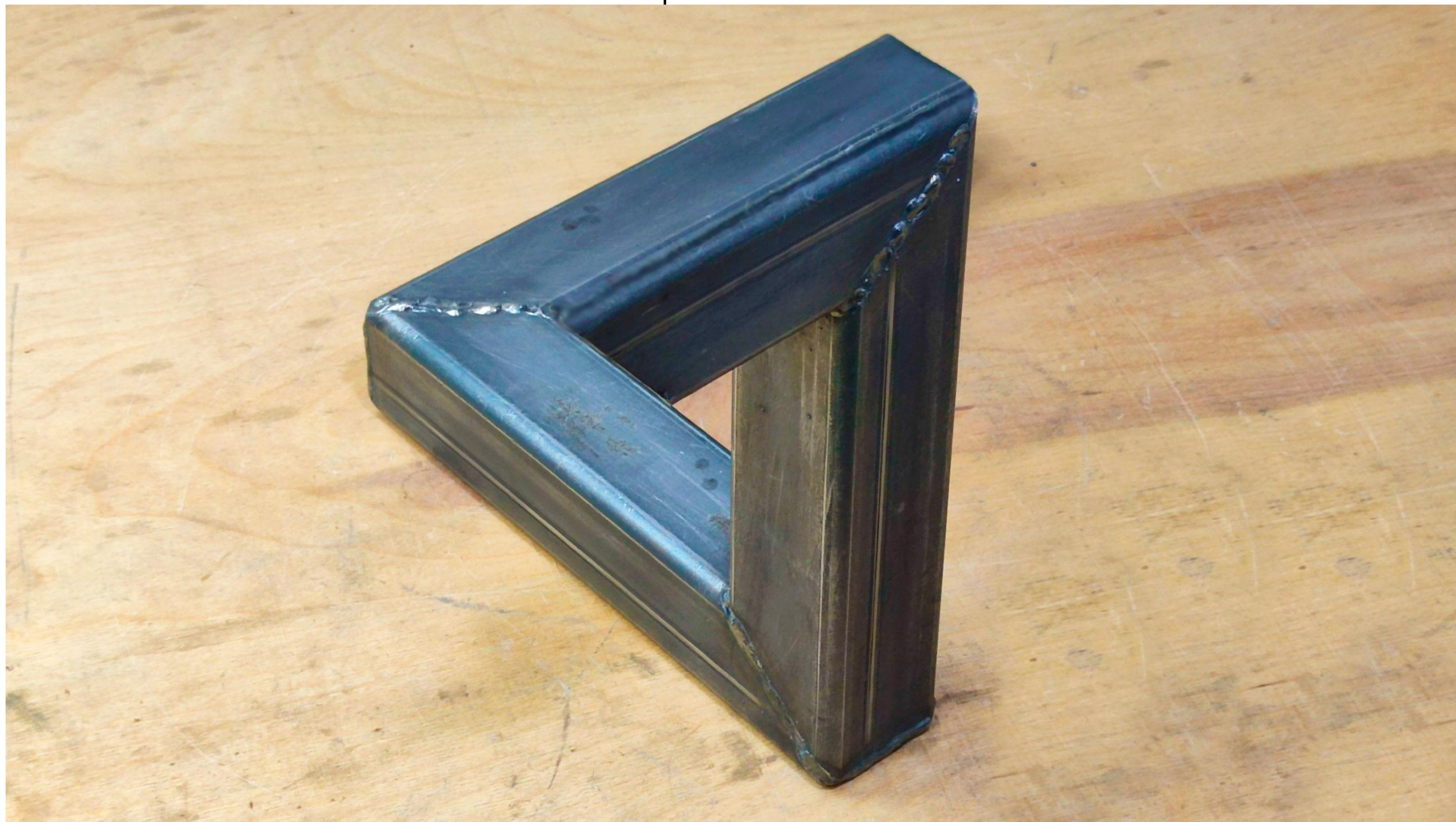
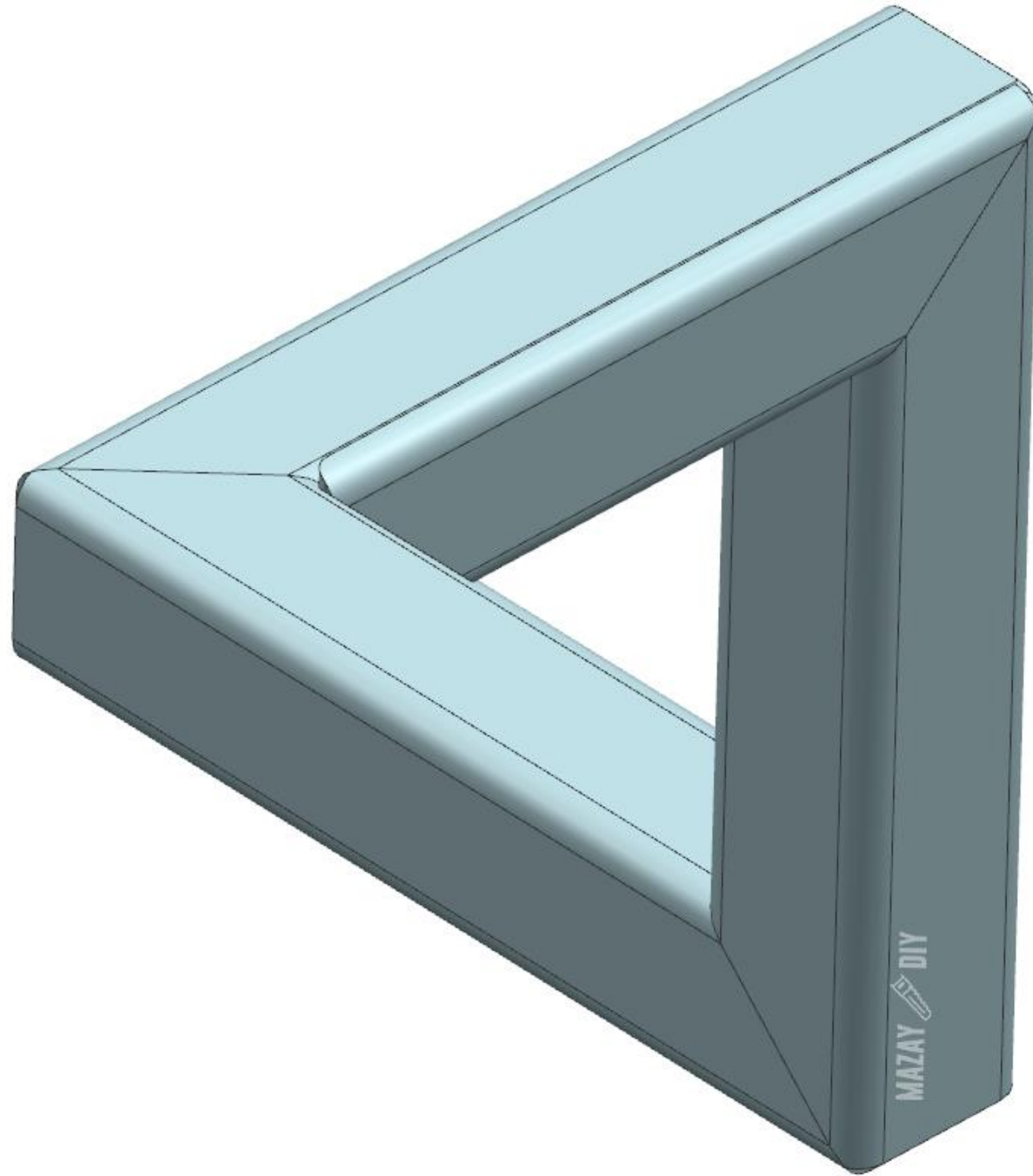


DIY Steel Tribar | Plans with dimensions



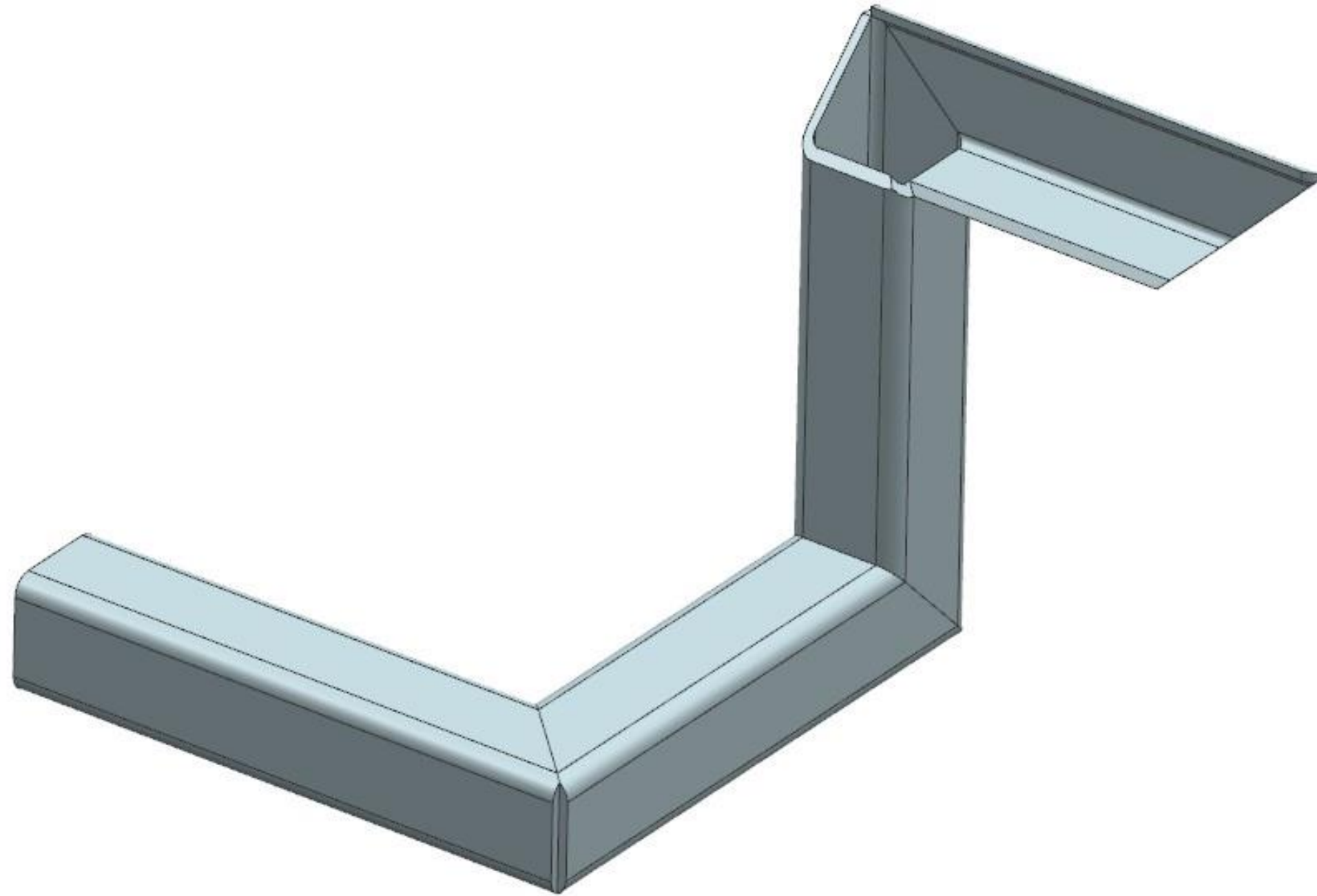


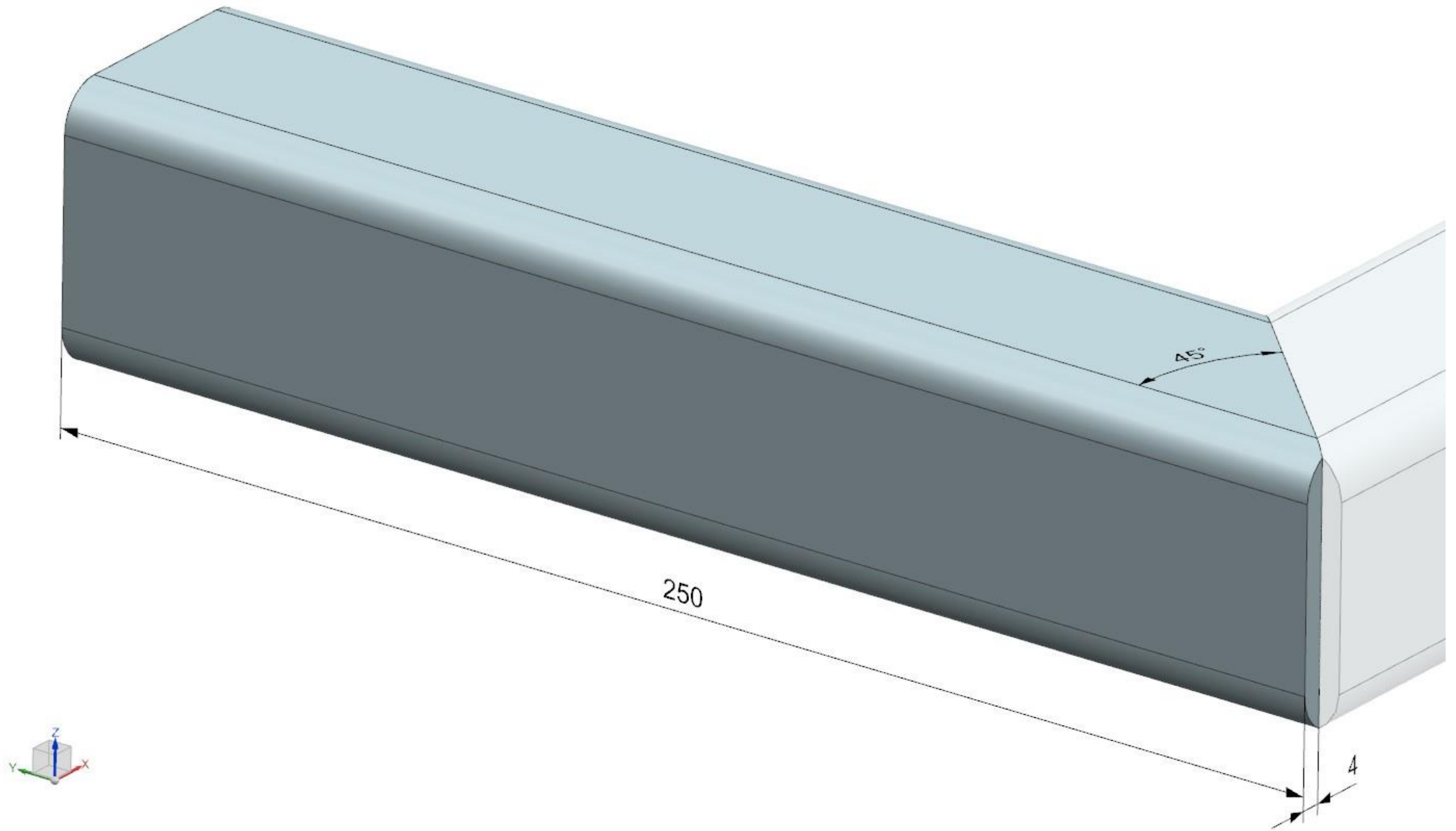
Welding Equipment & Accessories:

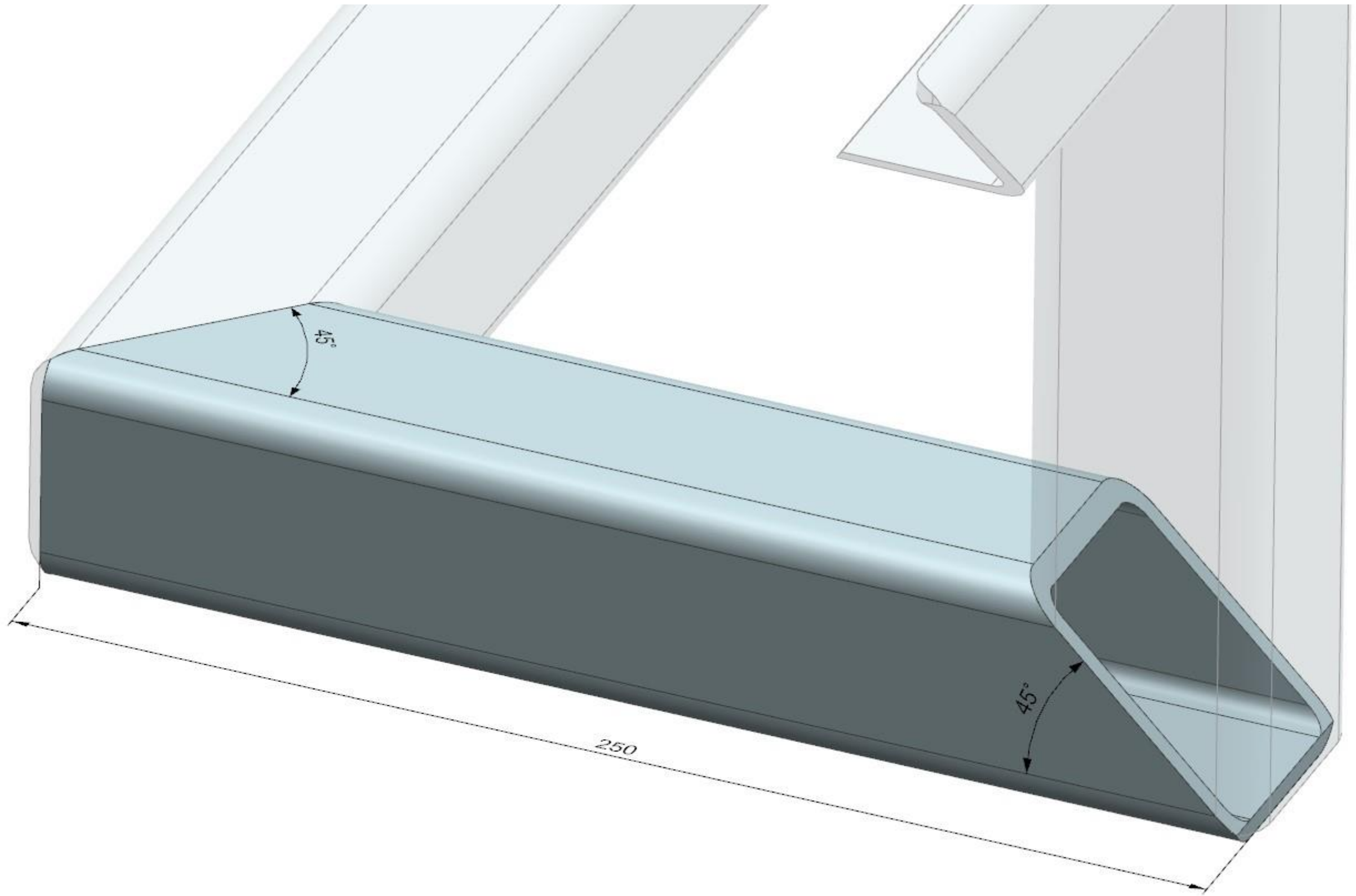
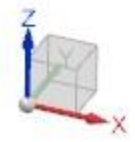
- [MIG Welder](#)
- [Flux Core Mig Wire](#)
- [Welding Helmet](#)
- [Welding Gloves](#)

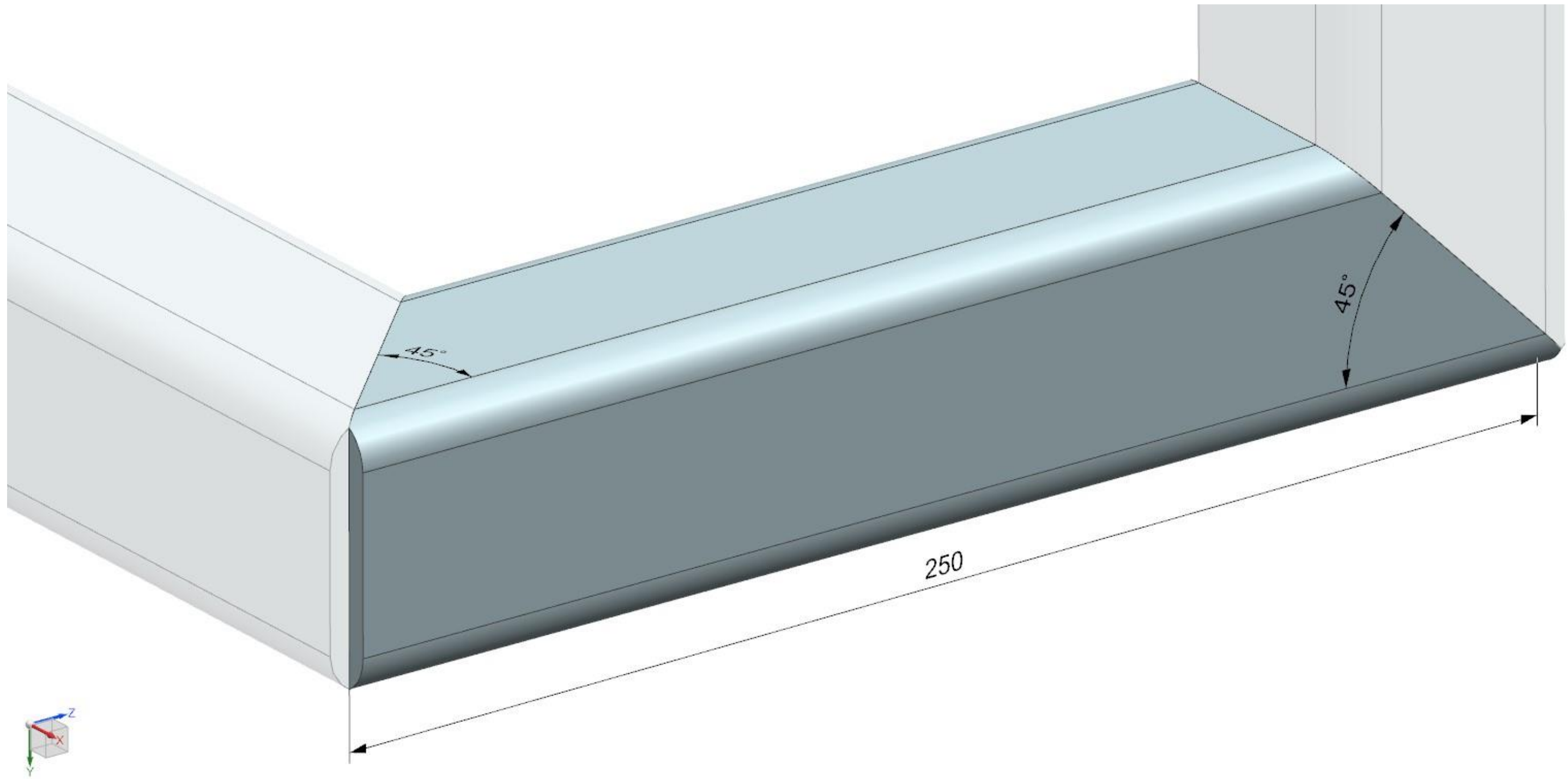
Materials:

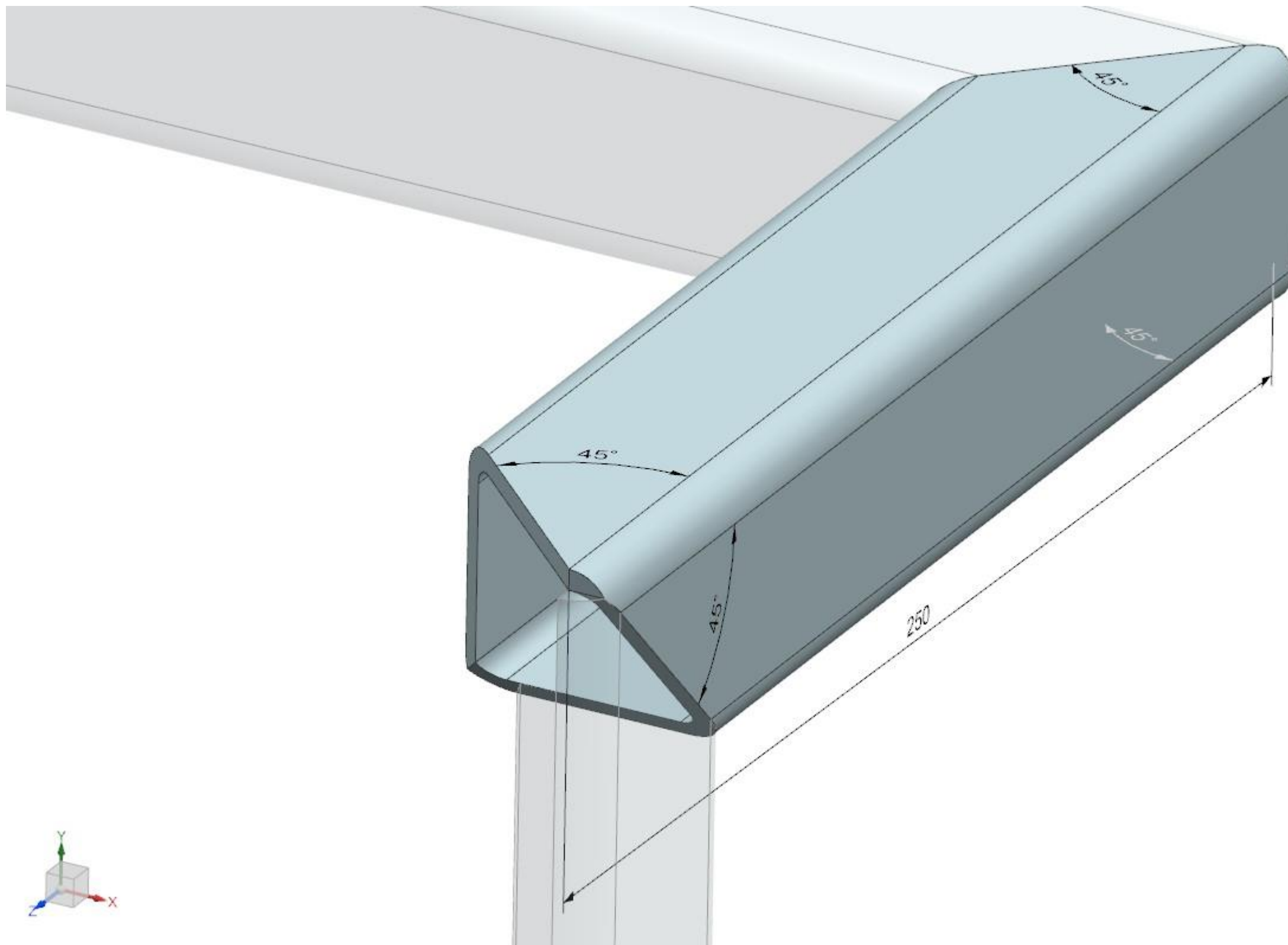
- [Steel square tube 2 inch](#) (50x50x4)



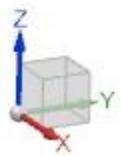
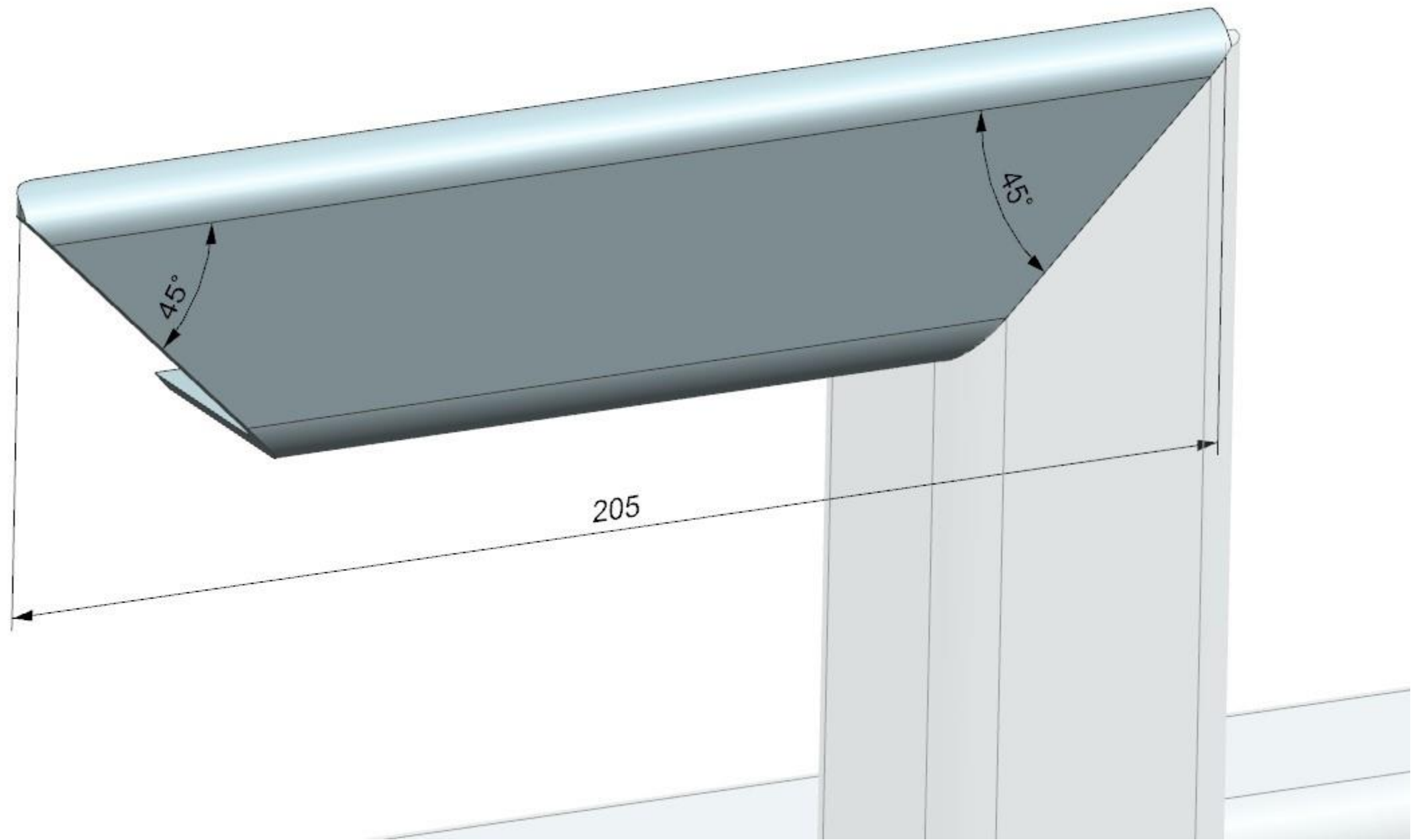


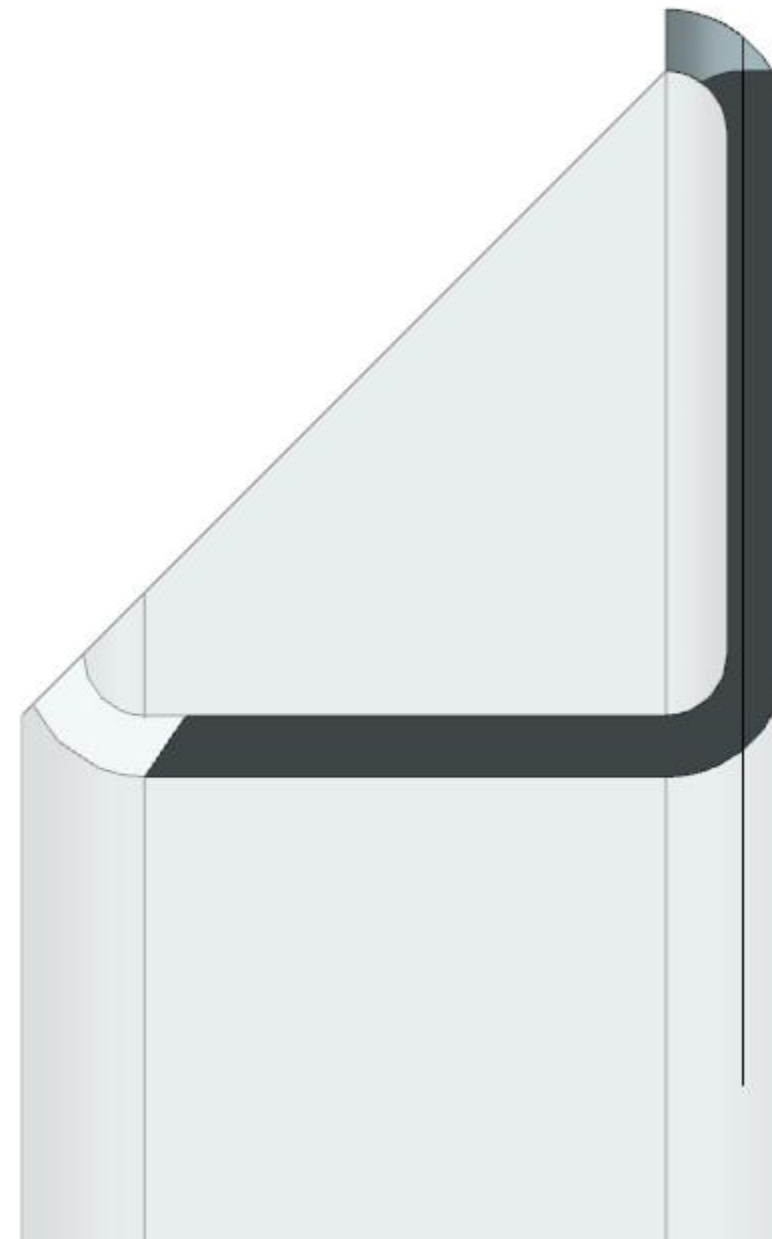
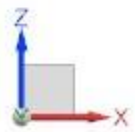


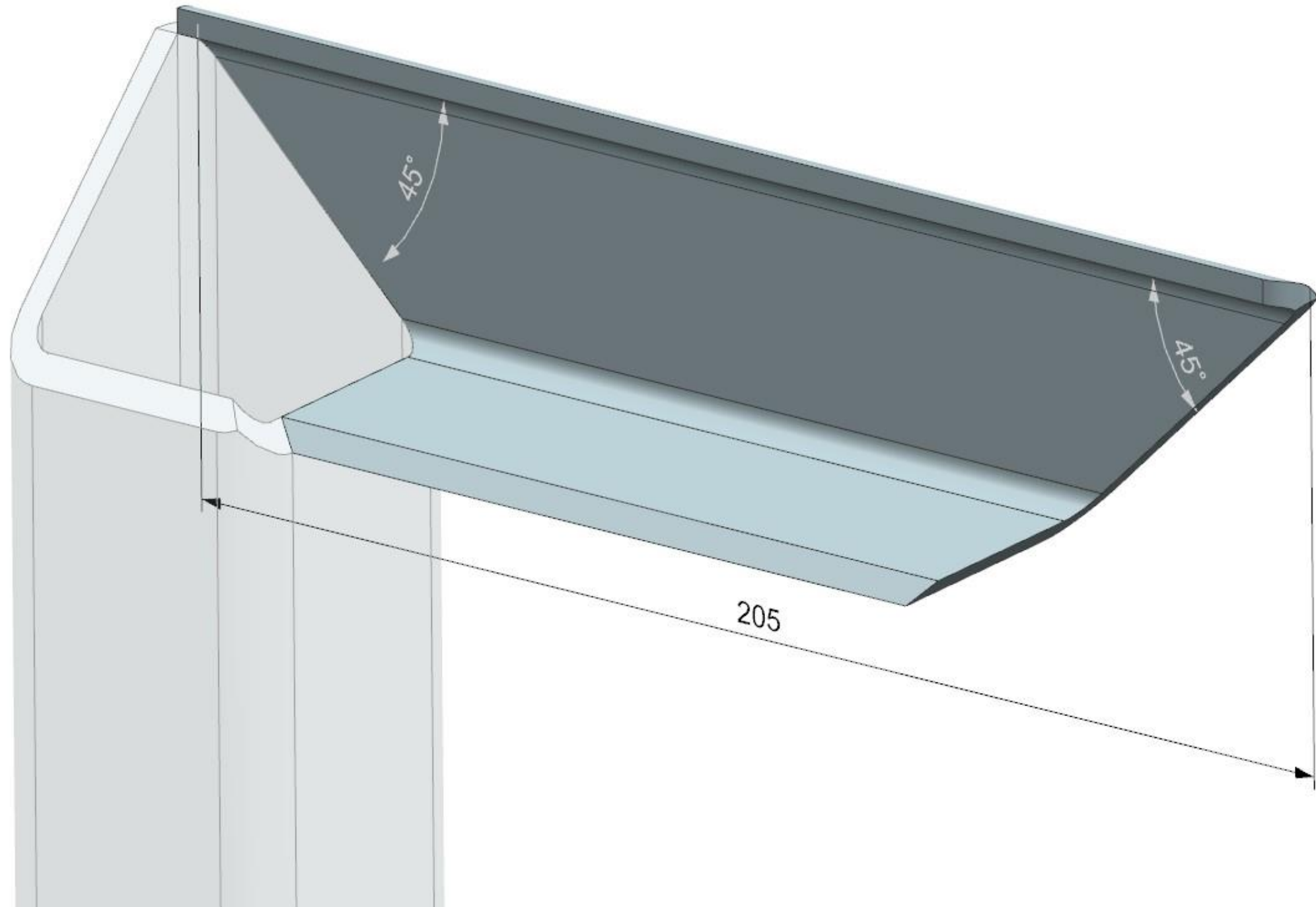
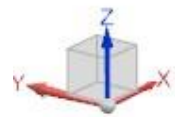












All dimensions in millimeters (mm)

Other tools and jigs:

[DIY Angle Grinder Stand](#)

[Drill bit organizer + Plans](#)

[DIY Drill Press Stand + Plans](#)

[DIY Hold down clamps + Printable templates](#)

[Mini Chainsaw Mill + Plans](#)