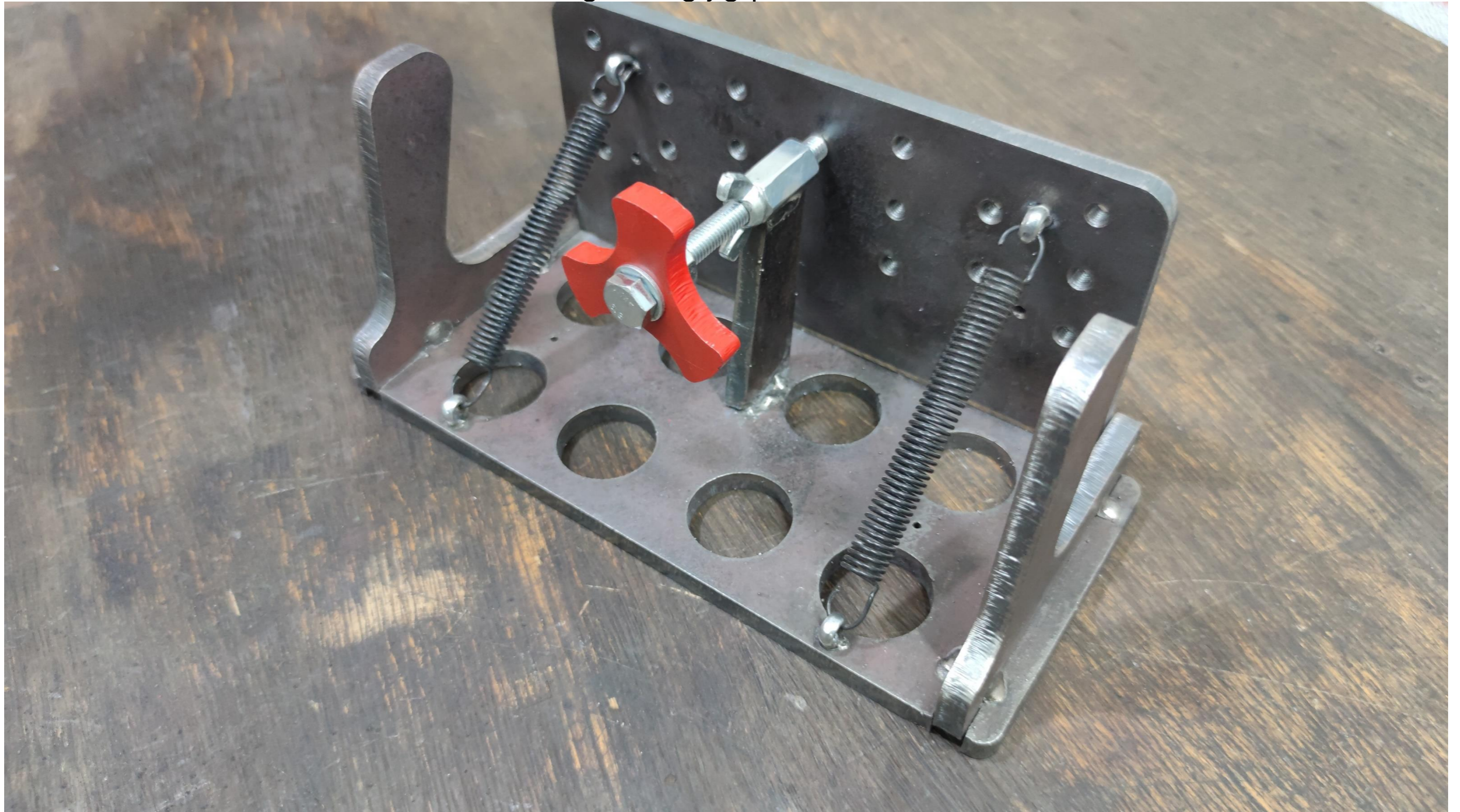


DIY knife bevel grinding jig | Plans with dimensions



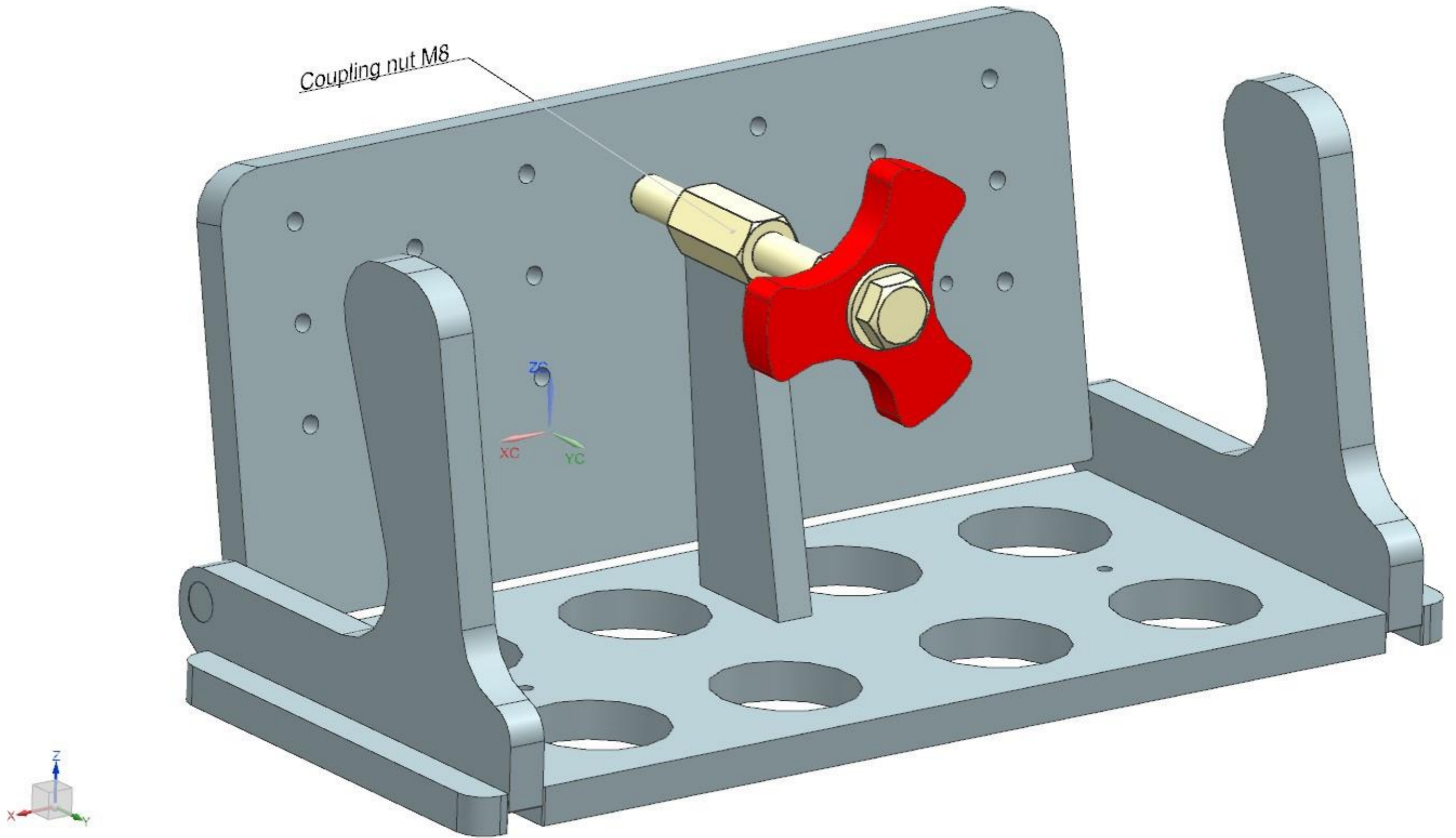
Parts you need

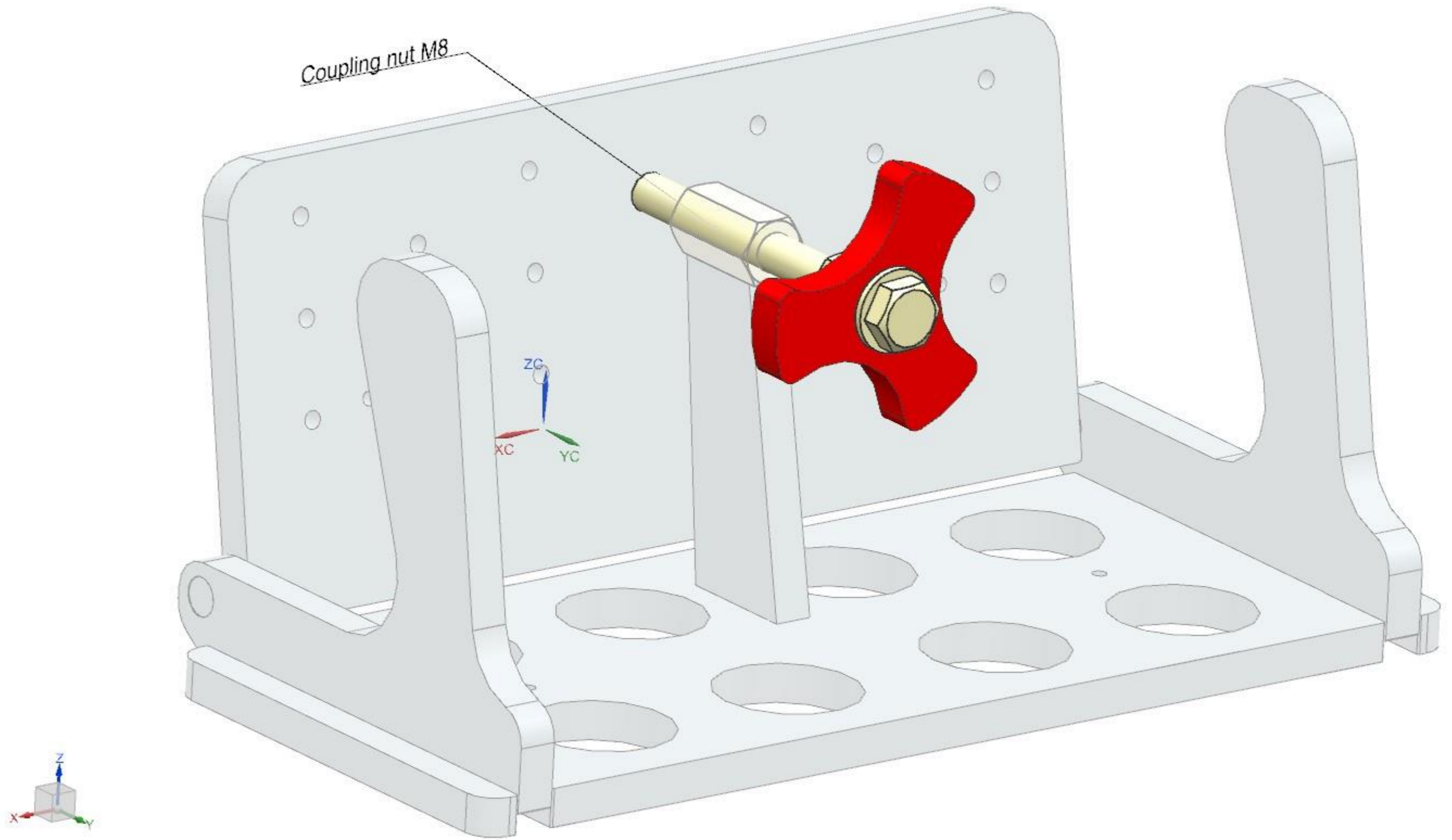
Materials:

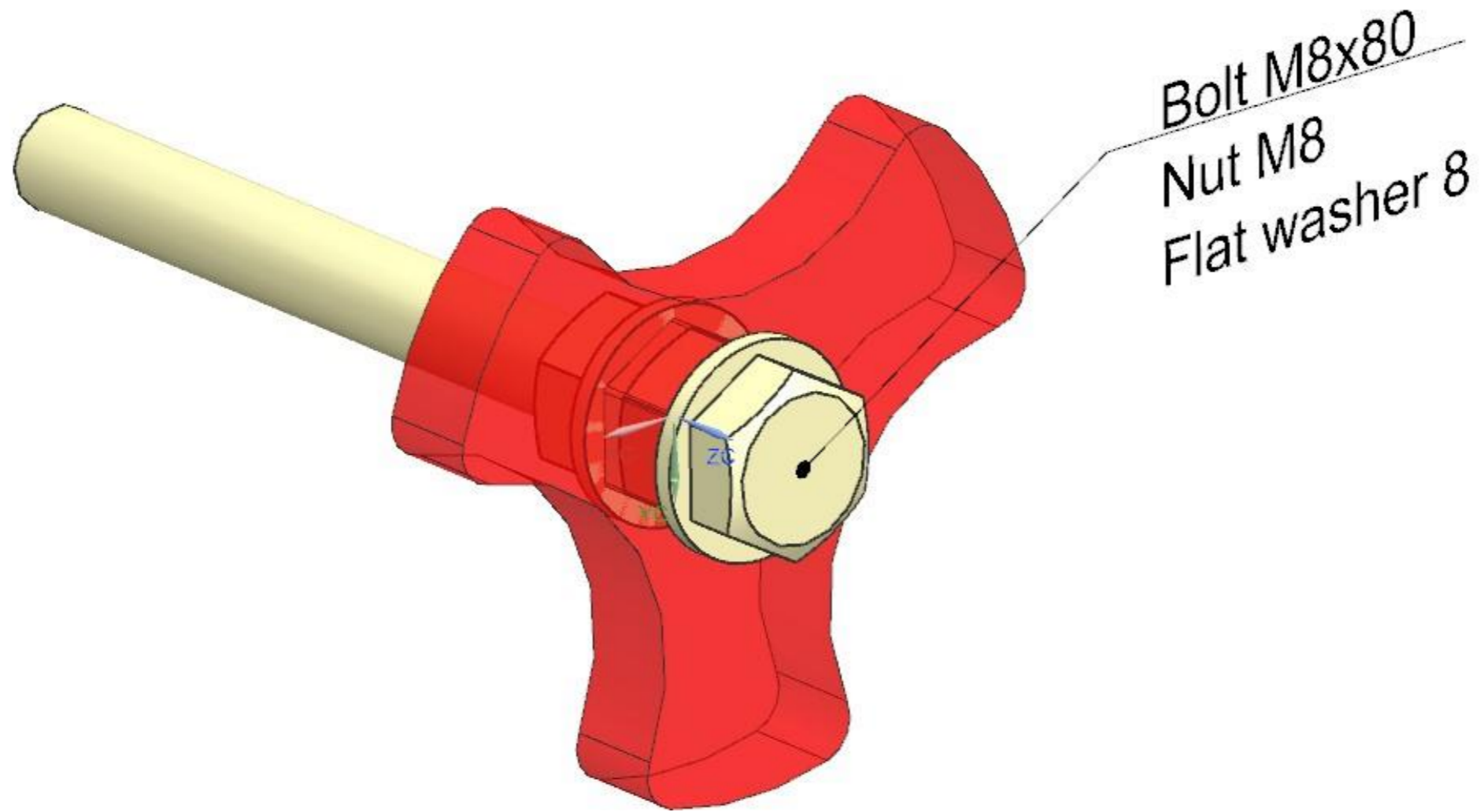
- Sheet mild metal, thickness 8 mm – lasercut ([DXF files for laser cutting](#))

Fasteners:

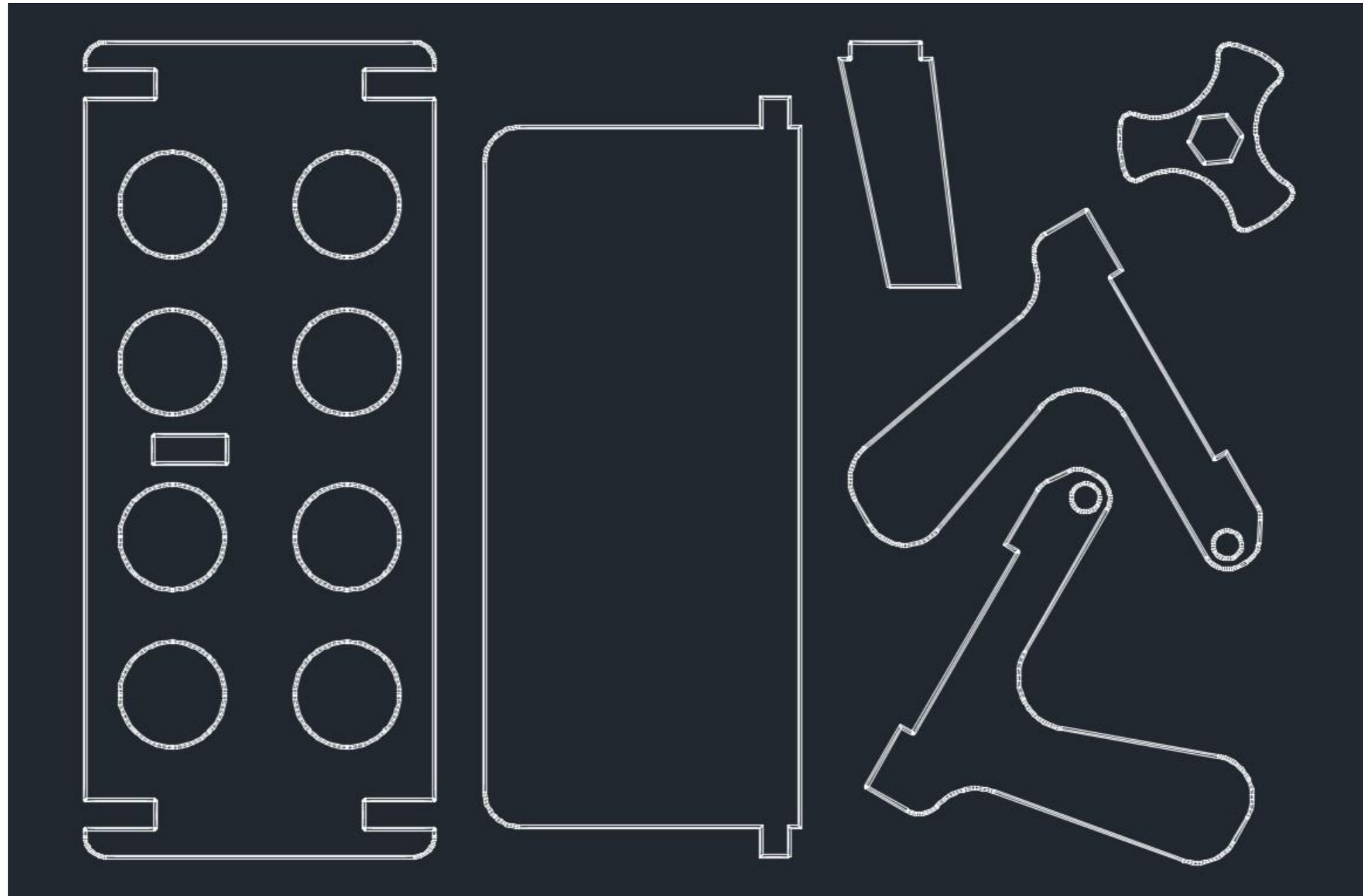
Name	Quantity, pcs.
Coupling nut M8	1
Bolt M8x80	1
Nut M8	3
Flat washer 8	2
Splint DIN 94 – 5 x 50	4
Spring	2

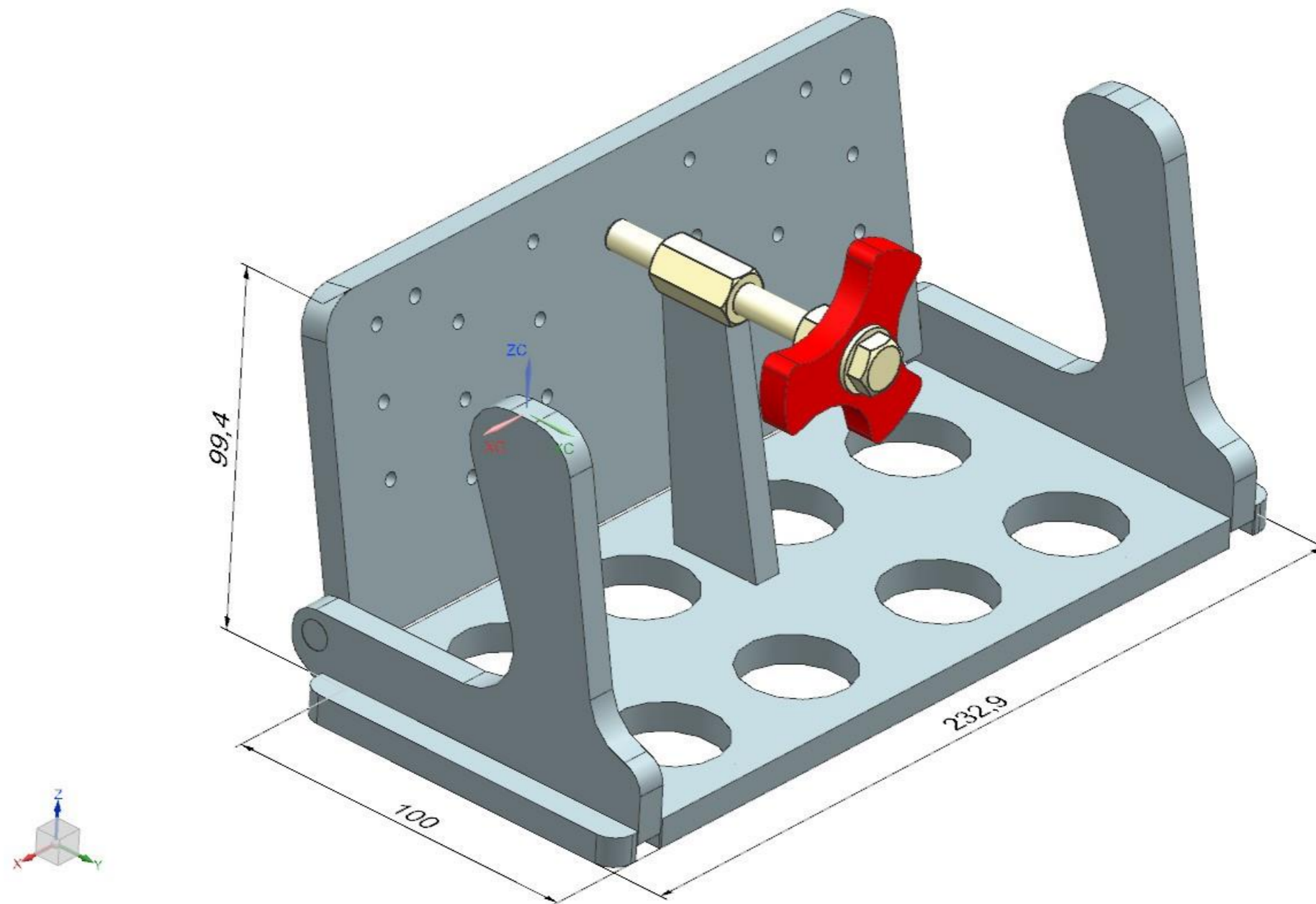






[Download DXF files for laser cutting](#)





All dimensions in millimeters (mm)

Other tools and jigs:

[DIY Angle Grinder Stand](#)

[Drill bit organizer + Plans](#)

[DIY Drill Press Stand + Plans](#)

[DIY Hold down clamps + Printable templates](#)

[Mini Chainsaw Mill + Plans](#)

[Buy me a coffee](#) 