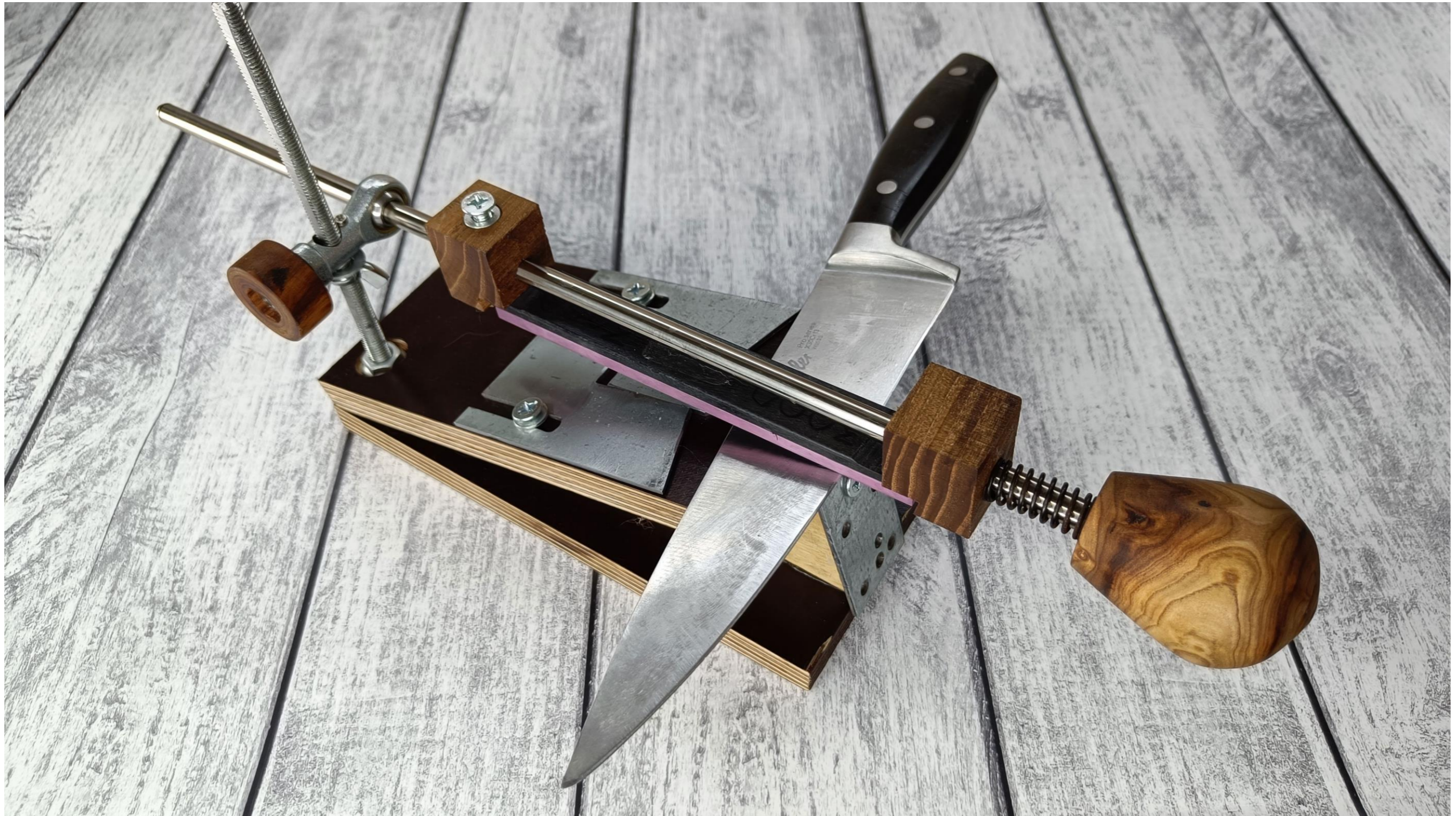
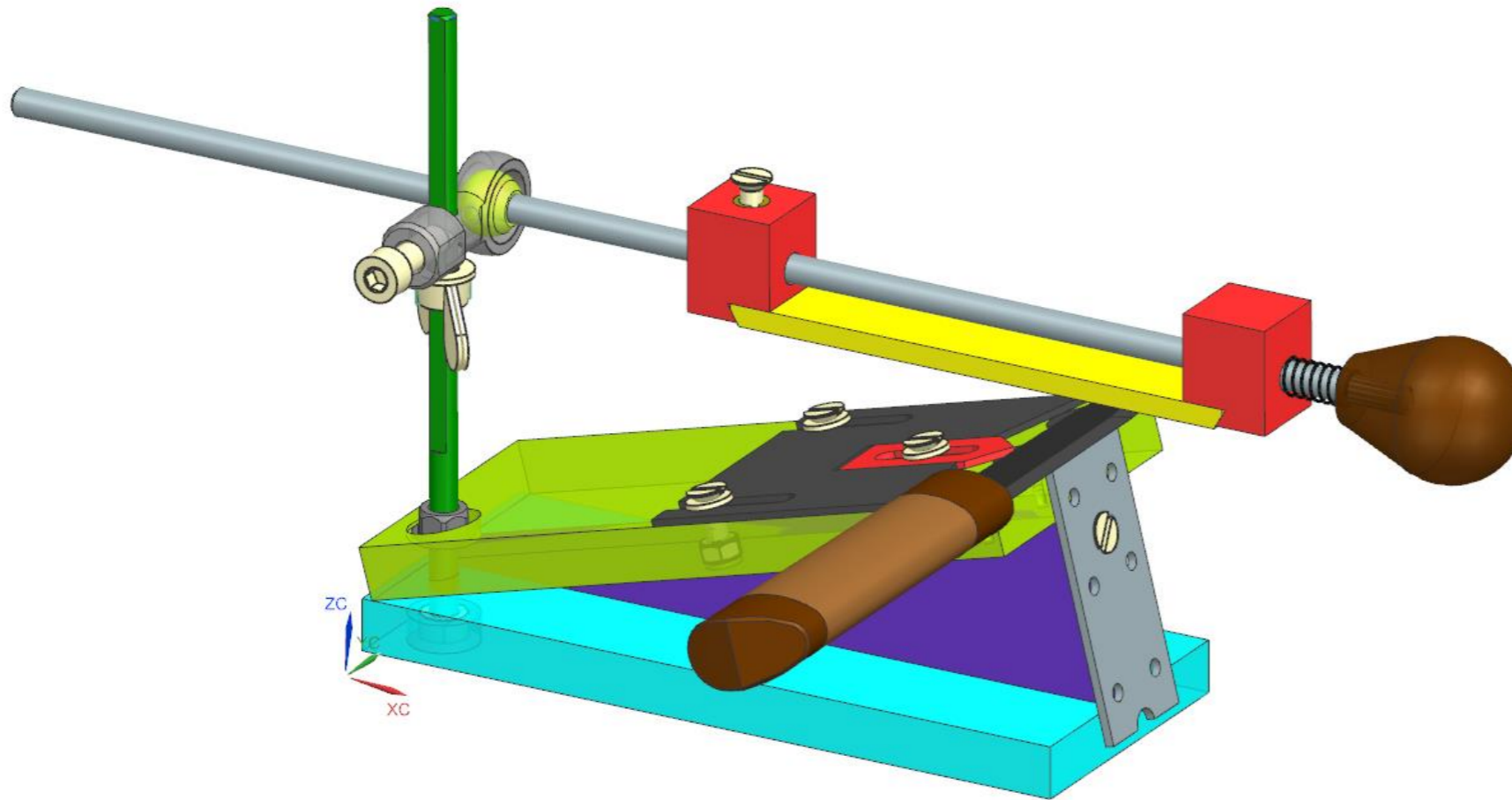


Knife Sharpening Jig | Plans with dimensions



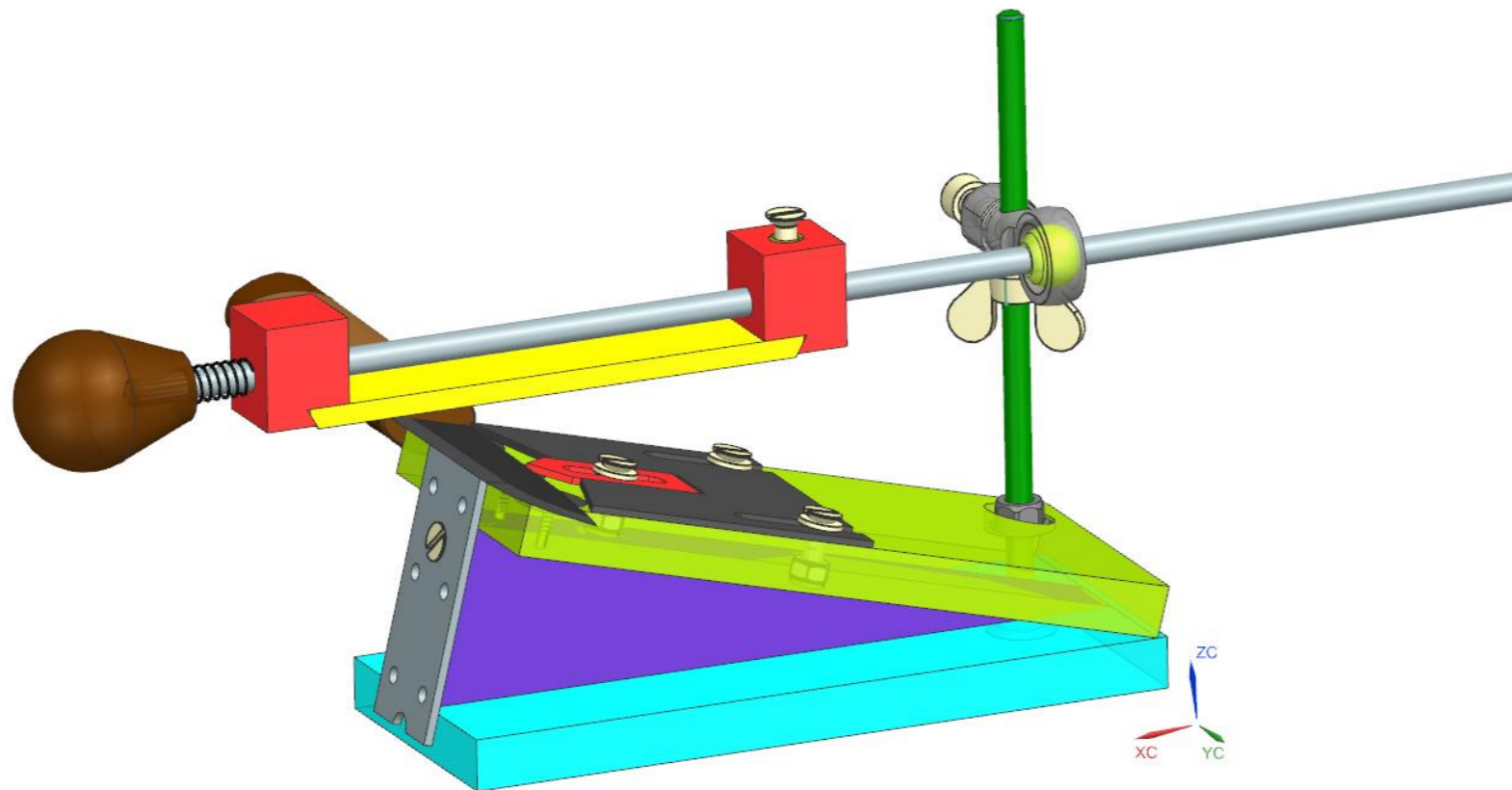
... & Scissors Sharpening Jig

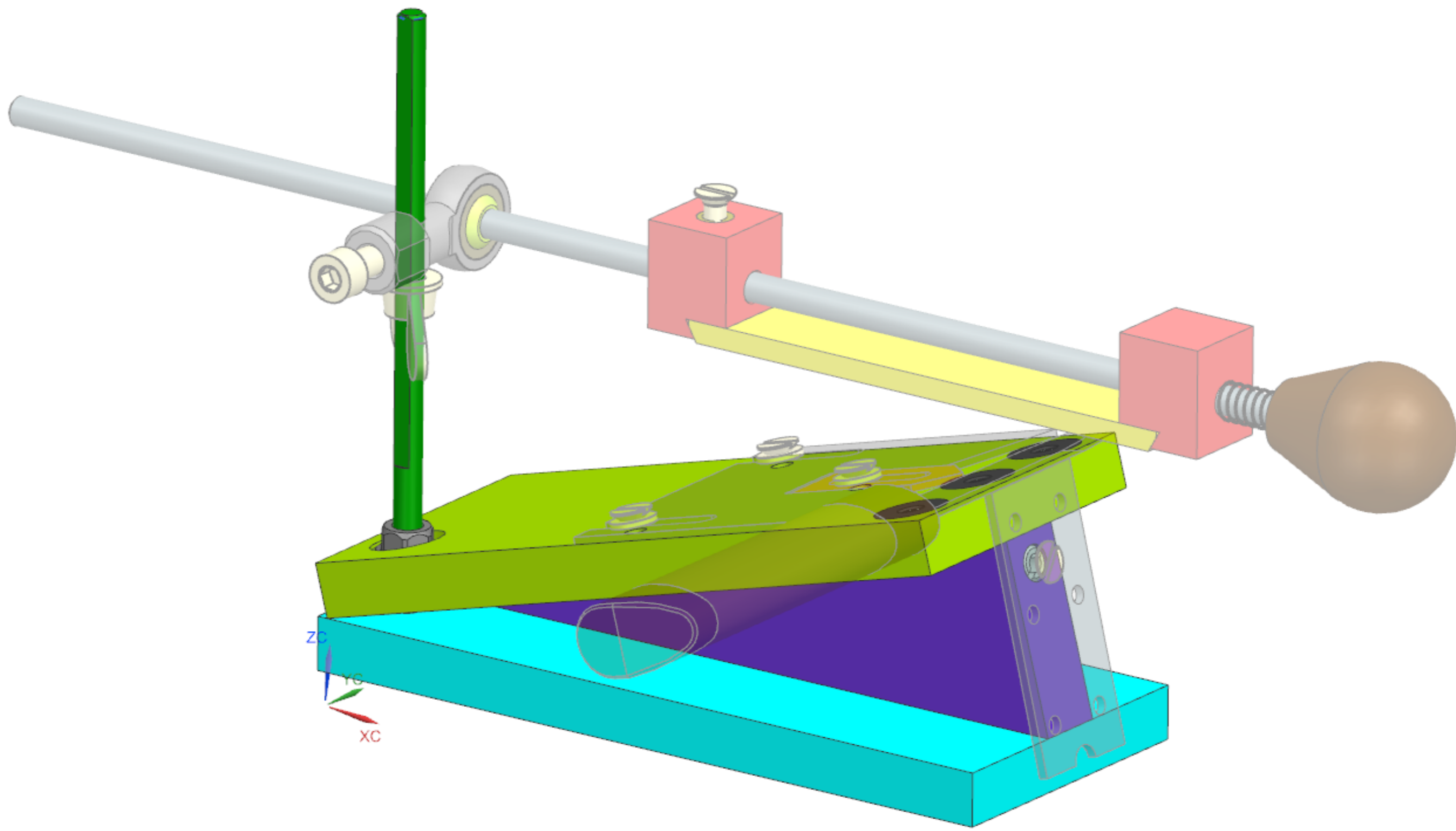


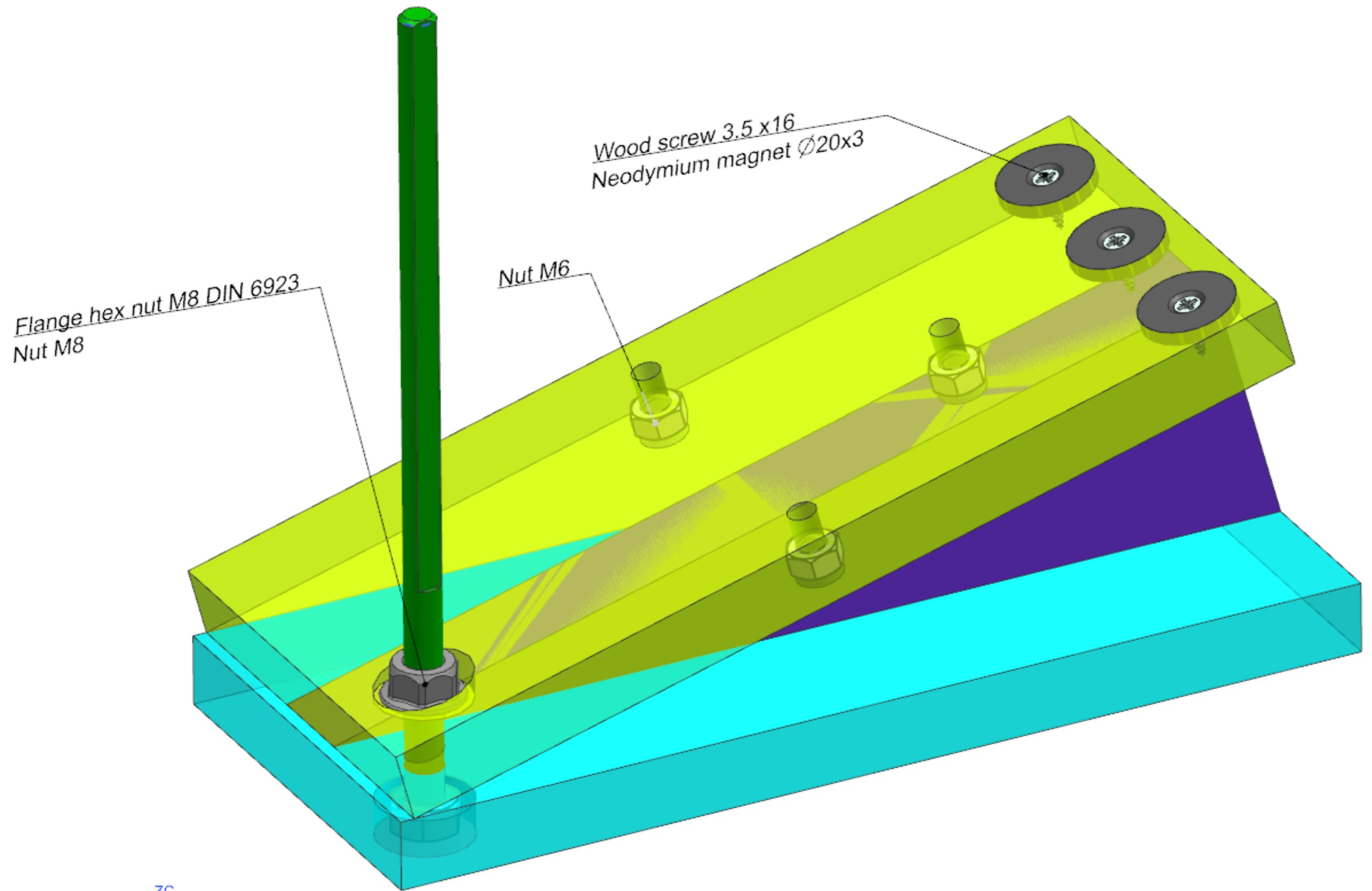


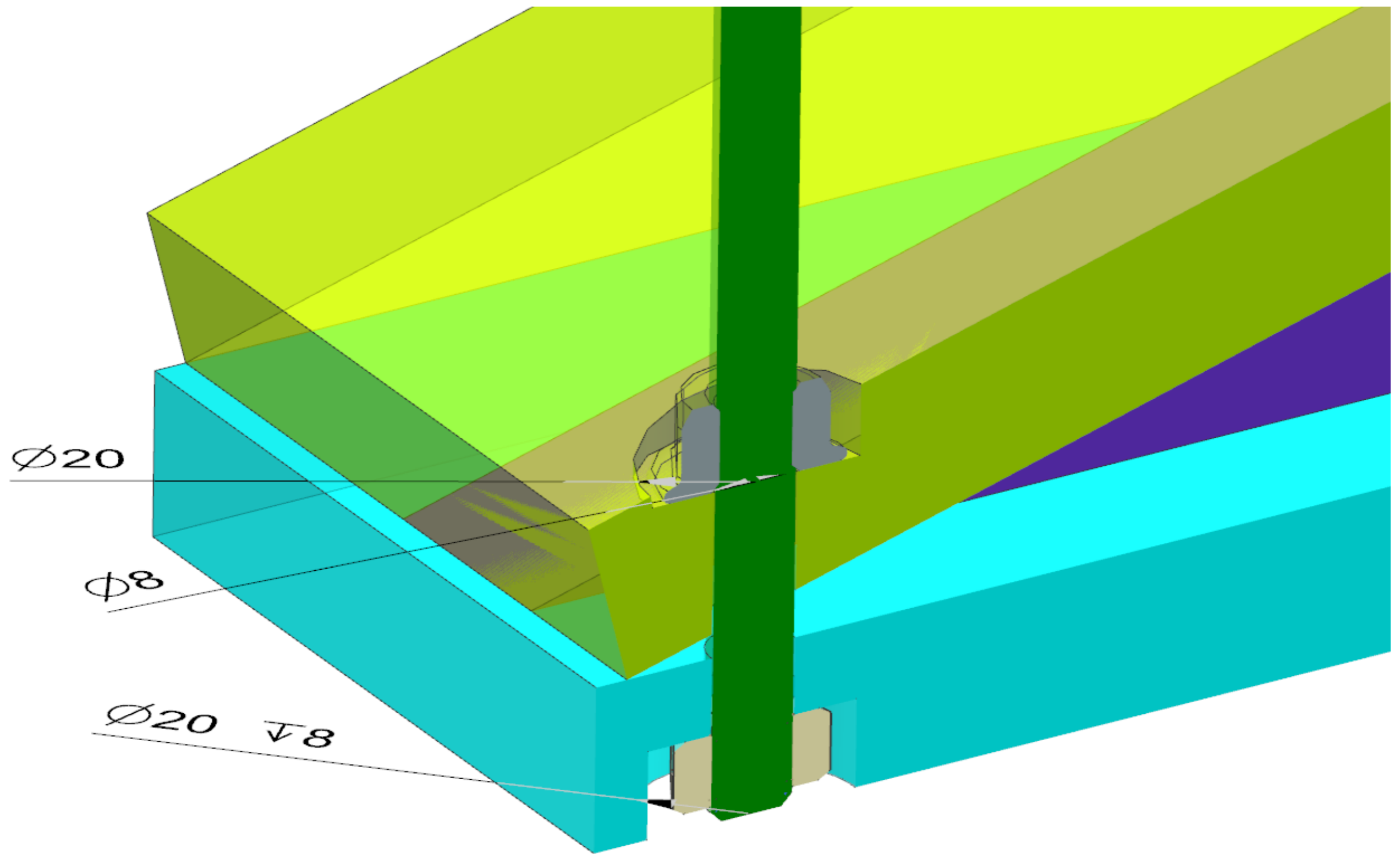
Fasteners and Materials:

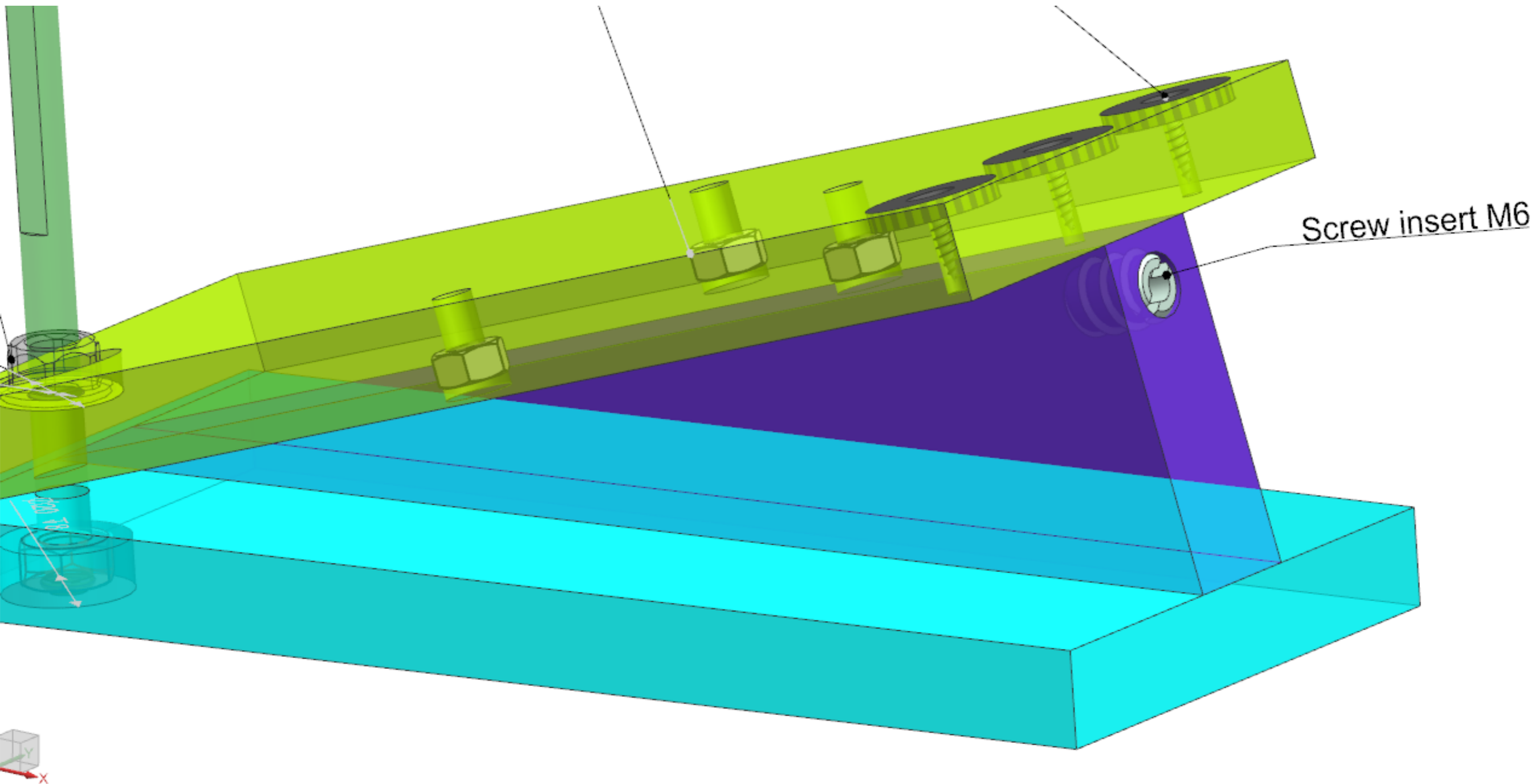
- Rod end bearing TSF 8 (ISB) x 1
- [Screw M8x25 DIN 912](#) (or Bolt M8x25 x 1)
- [Flat washer 8](#) x 1
- [Wing nut M8](#) x 1
- [Countersunk head screw M6x20](#) x 5
- [Flat washer 6](#) x 3
- Steel plate S=2mm
- [Nut M6](#) x 3
- [Neodymium magnet Ø20x3 with hole](#) x 3
- [Flange hex nut M8 DIN 6923](#) x 1
- [Threaded rod M8](#), L=180 mm
- [Threaded insert M6](#) x 2
- [Nut M8](#) x 1
- Spring
- [Stainless steel linear motion rod Ø8](#) x 400mm
- Plywood 15 mm
- [Plywood 18 mm or 20 mm](#)
- Wood

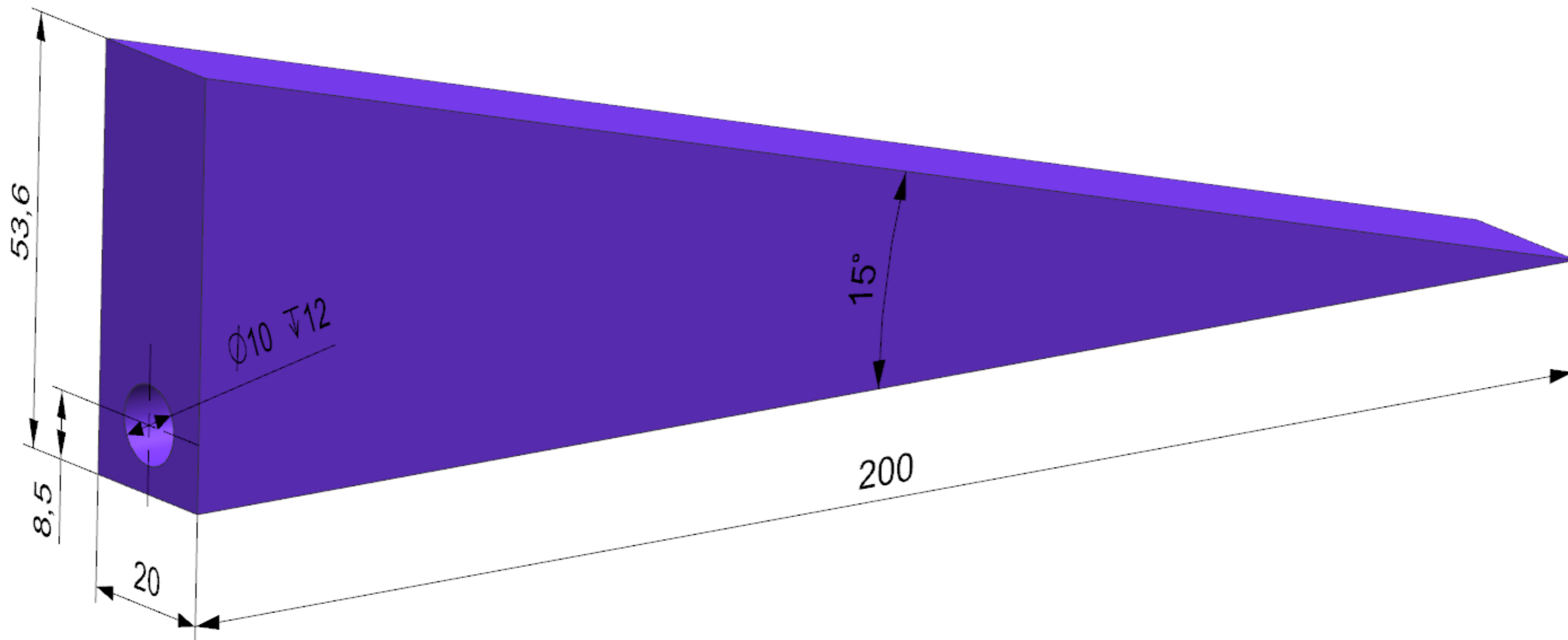


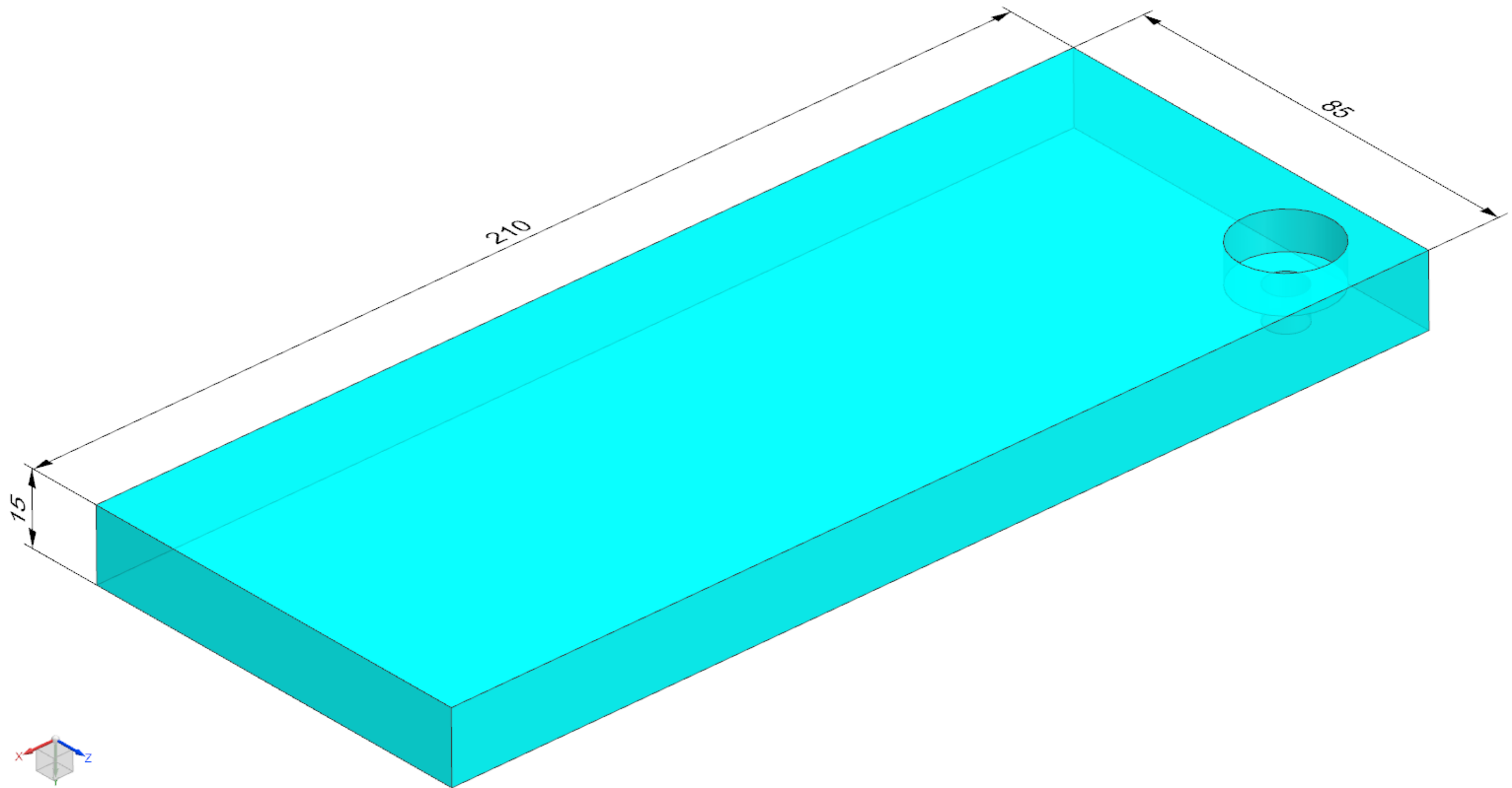


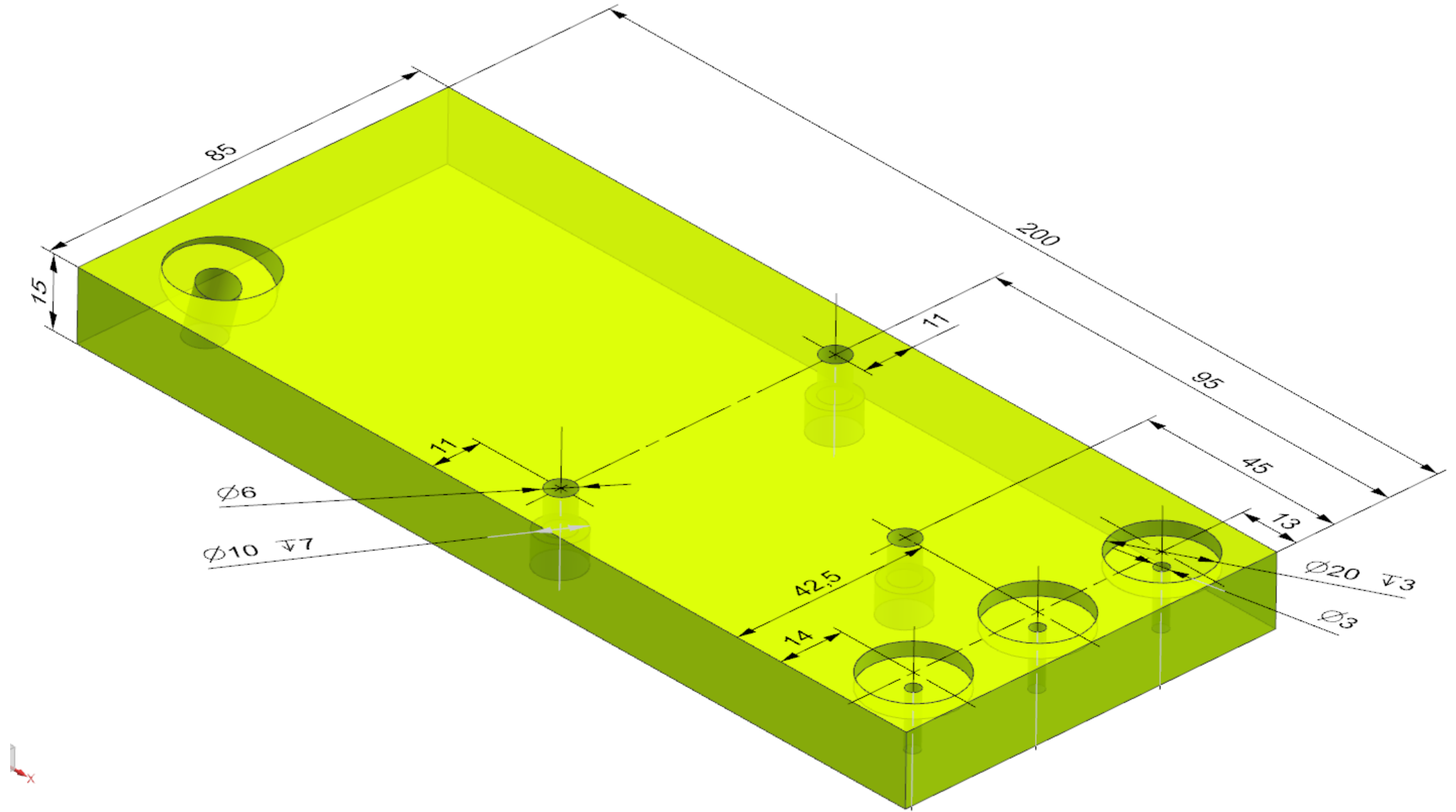


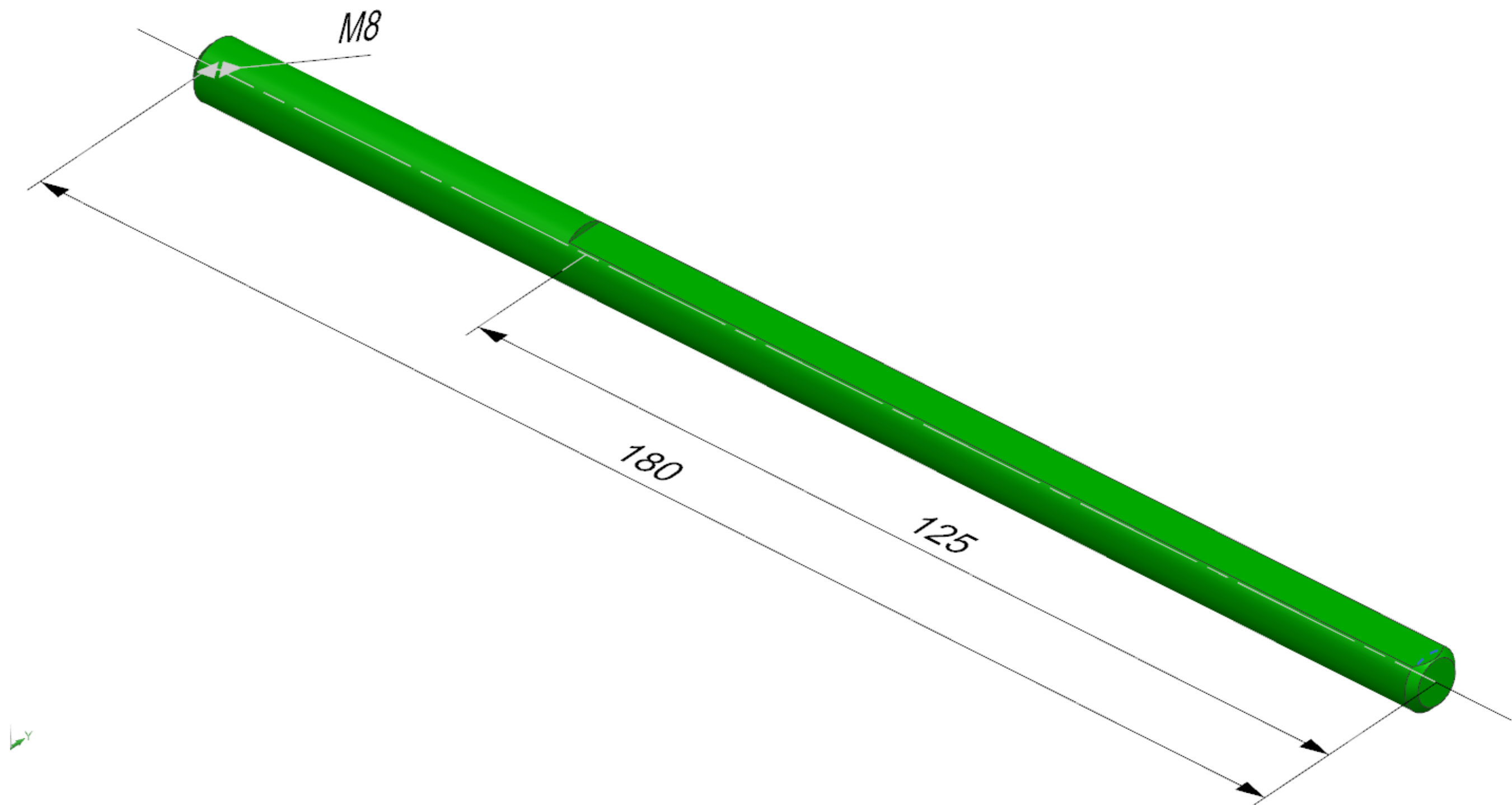


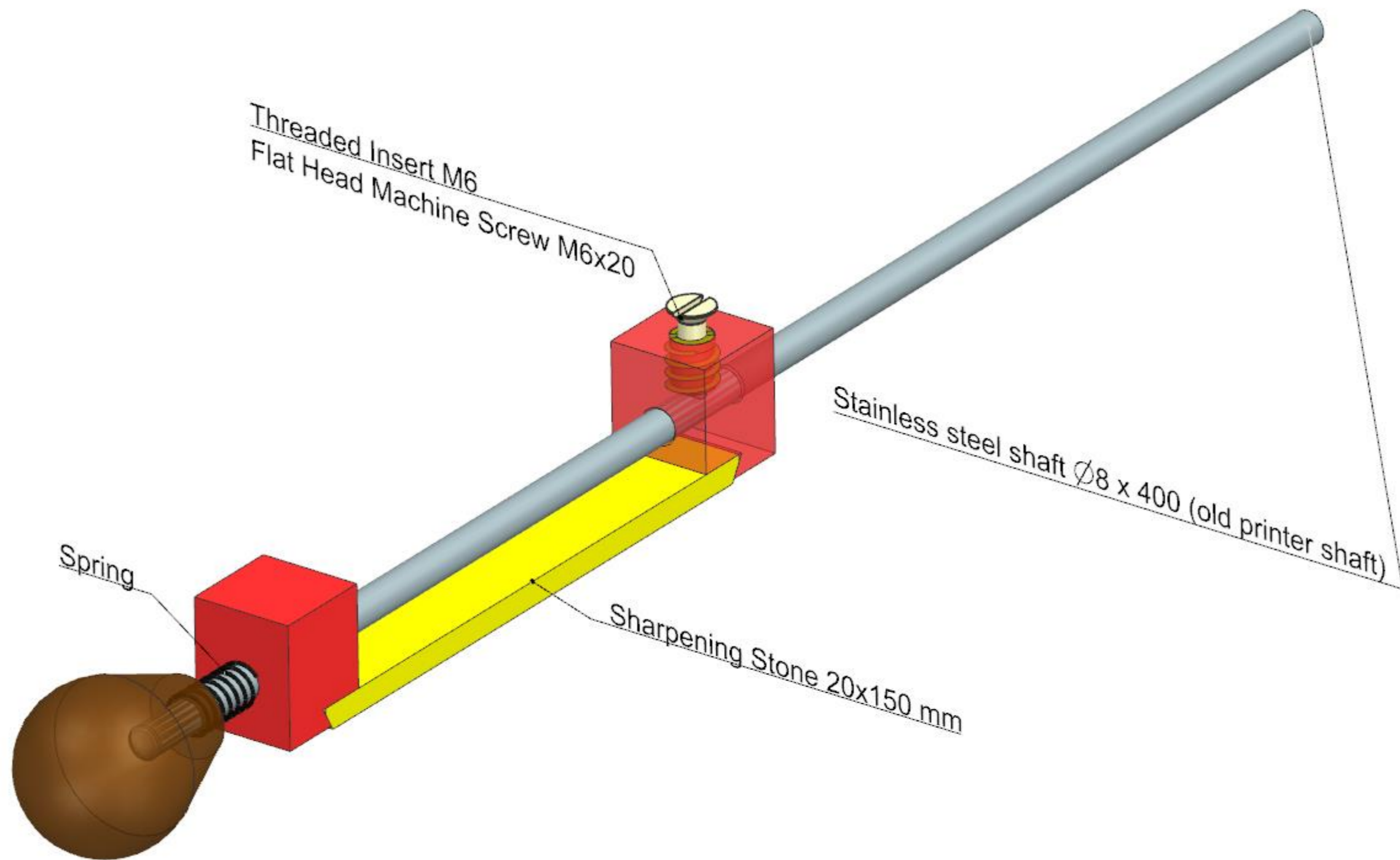


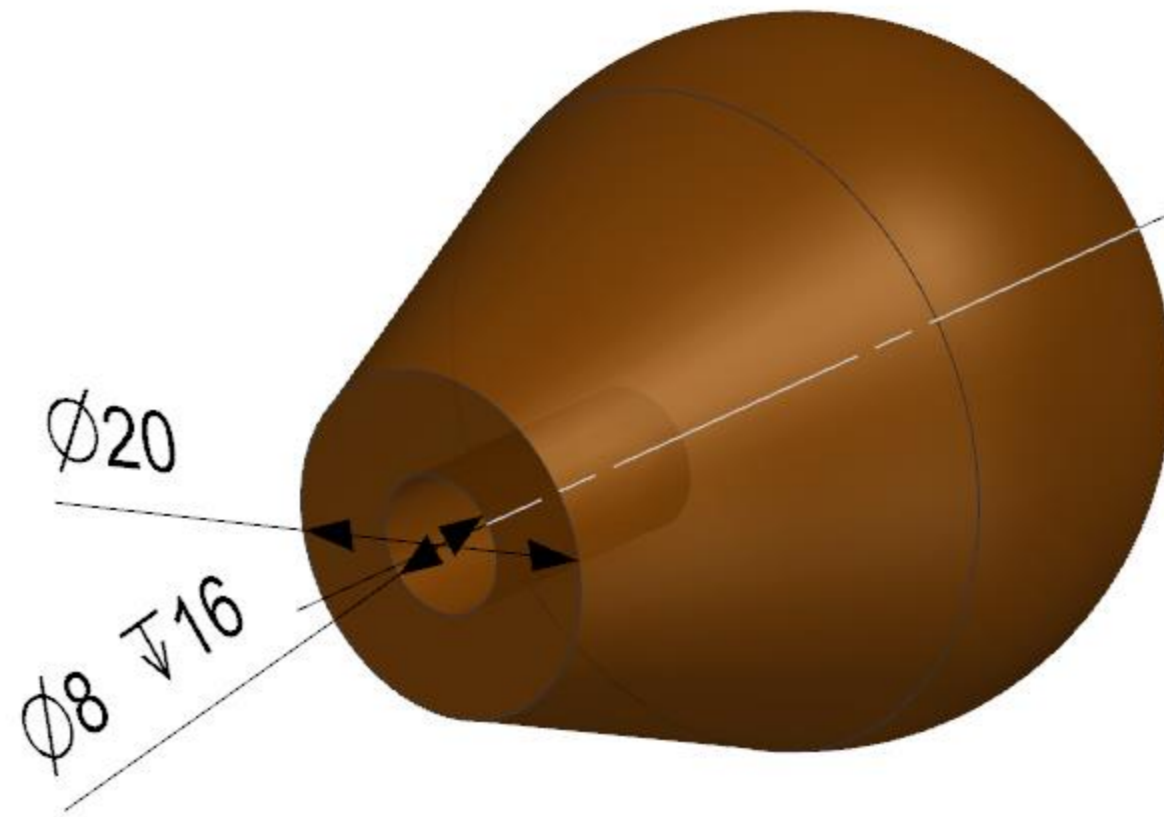
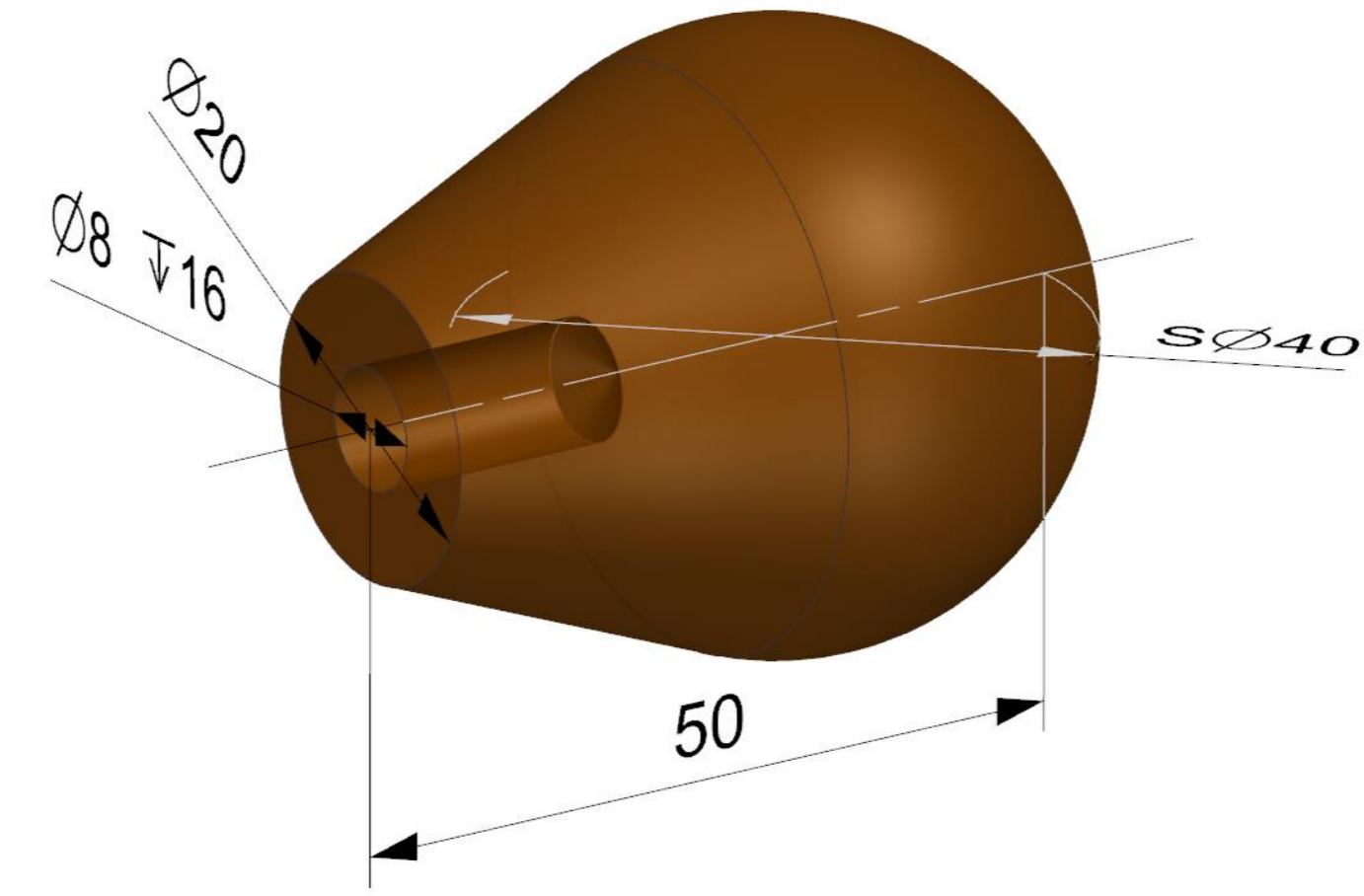


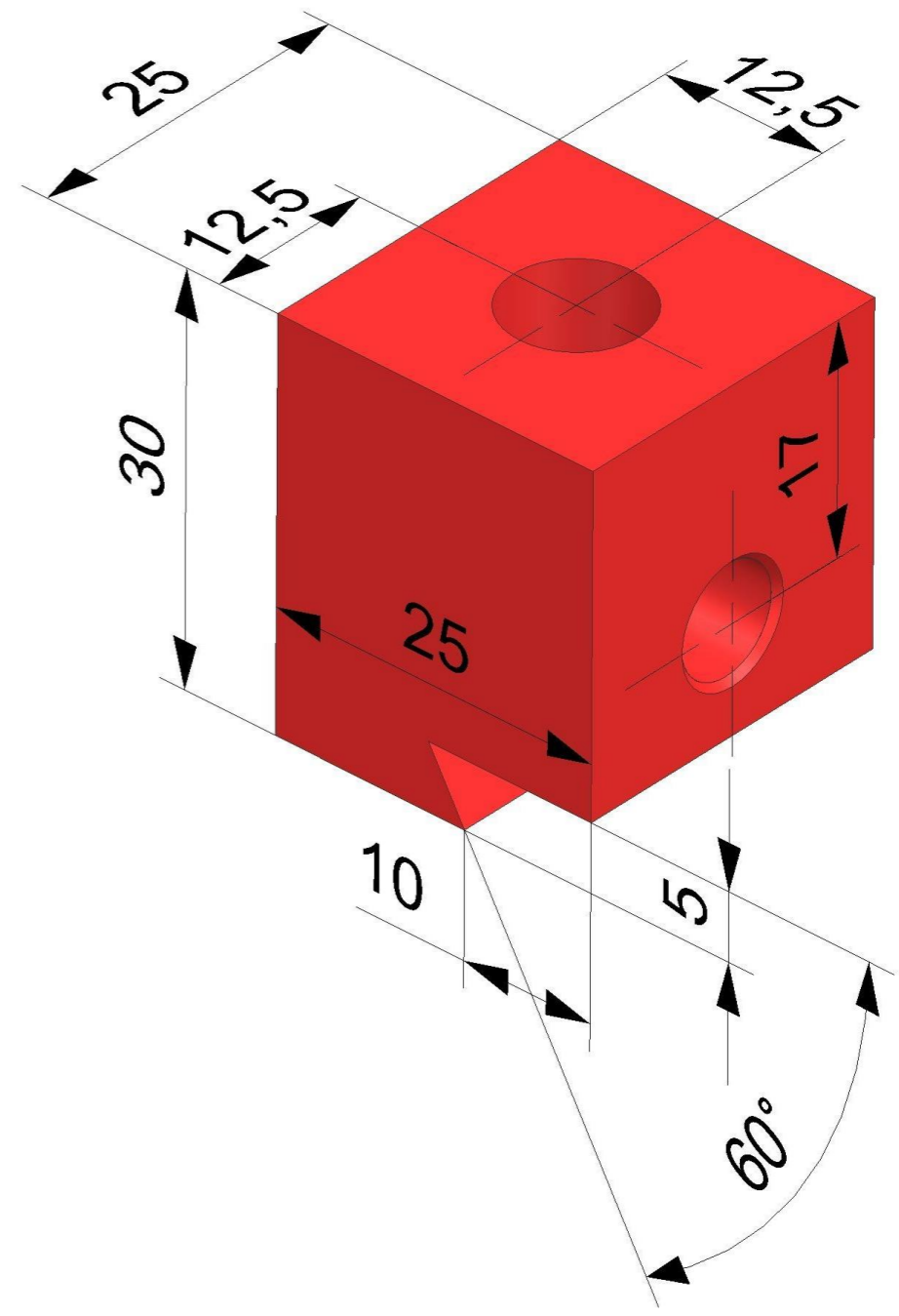
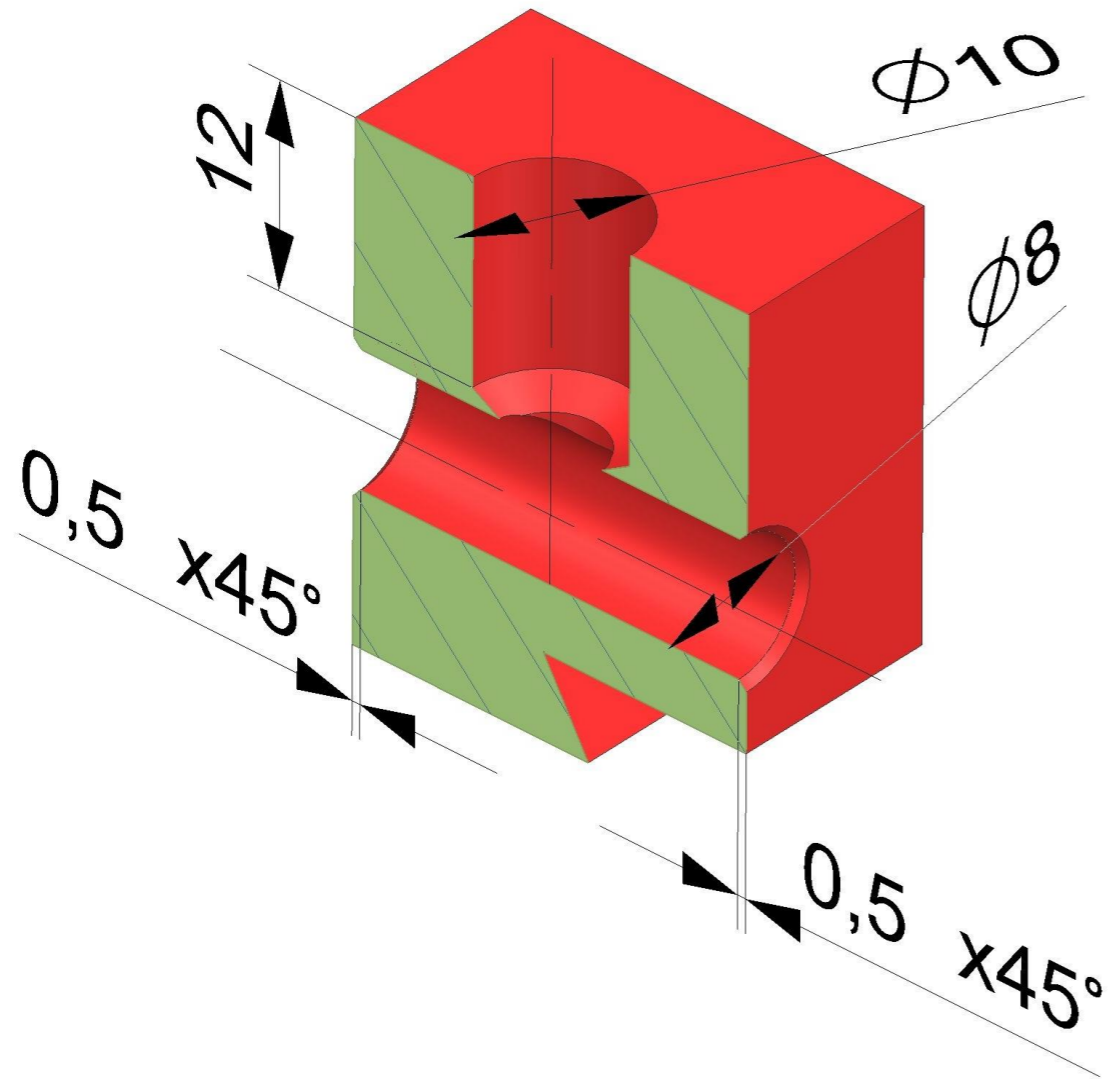


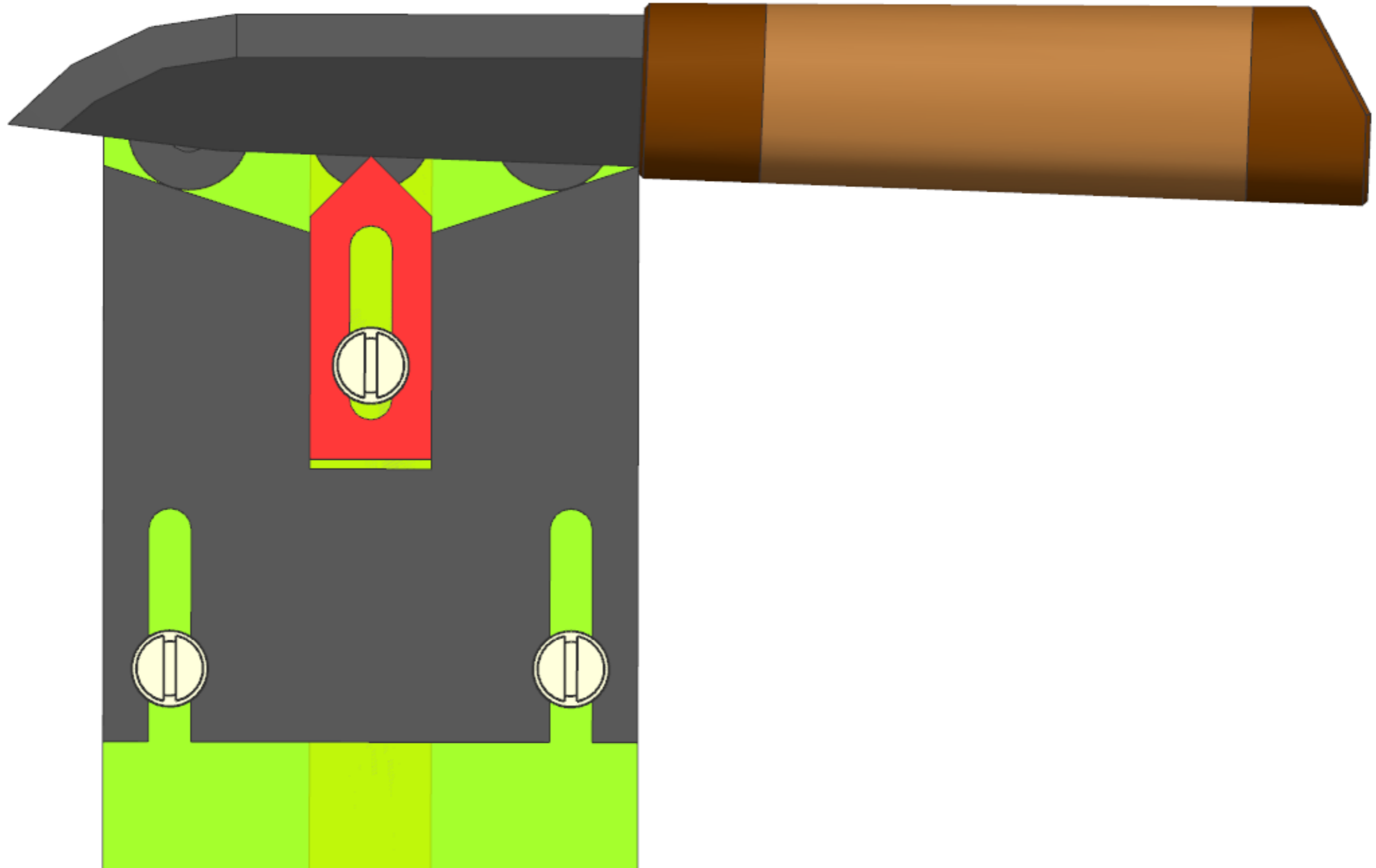


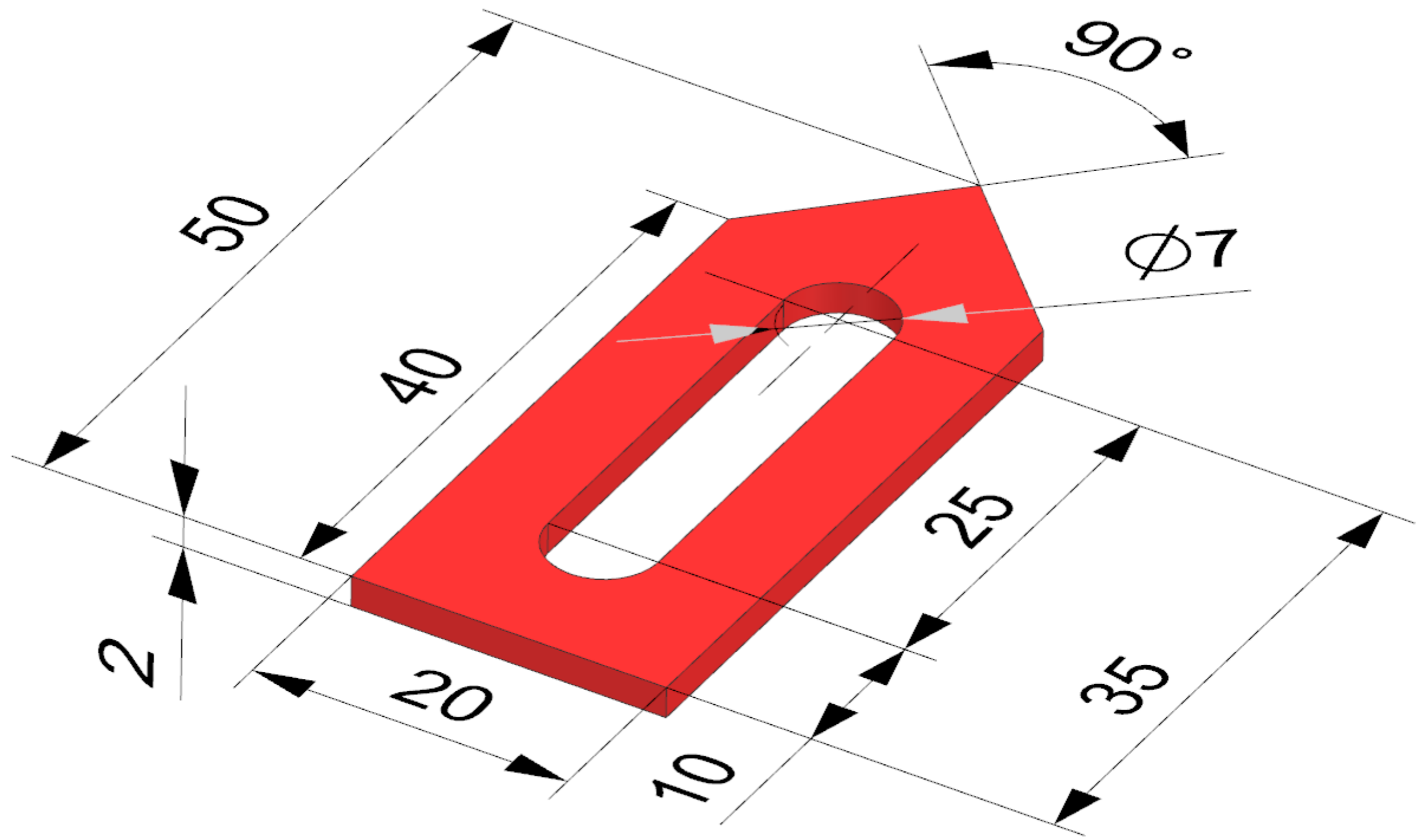


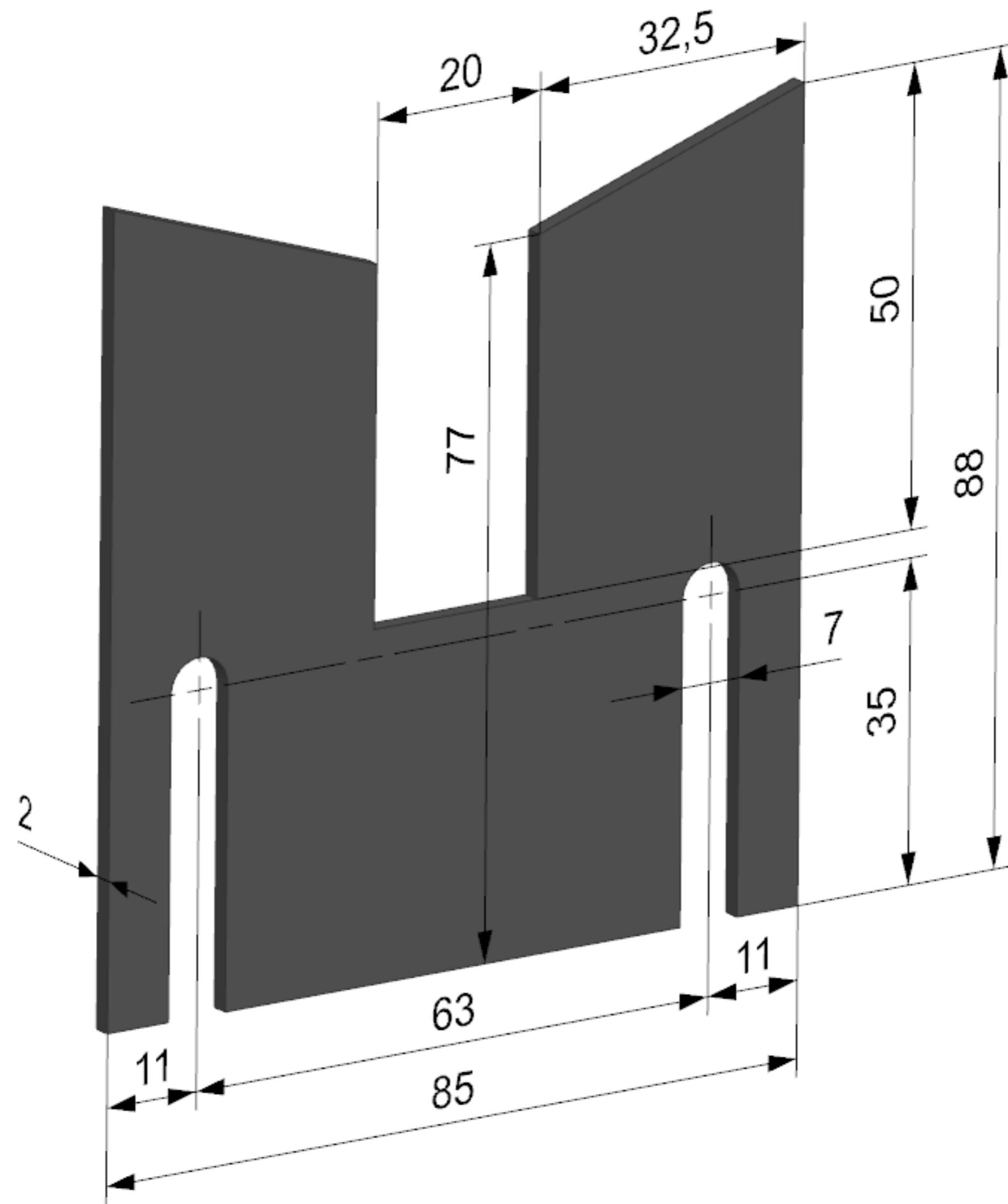




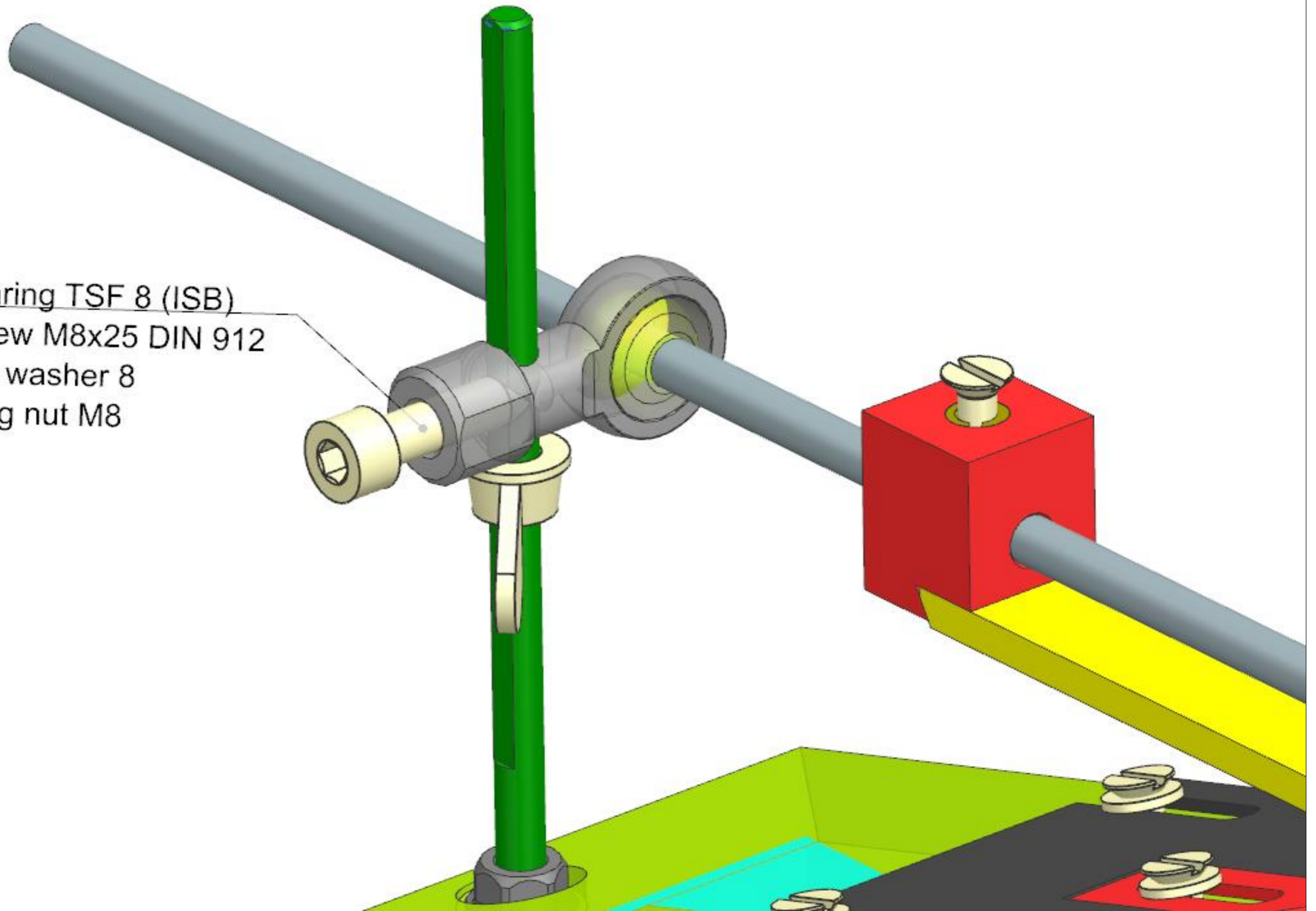


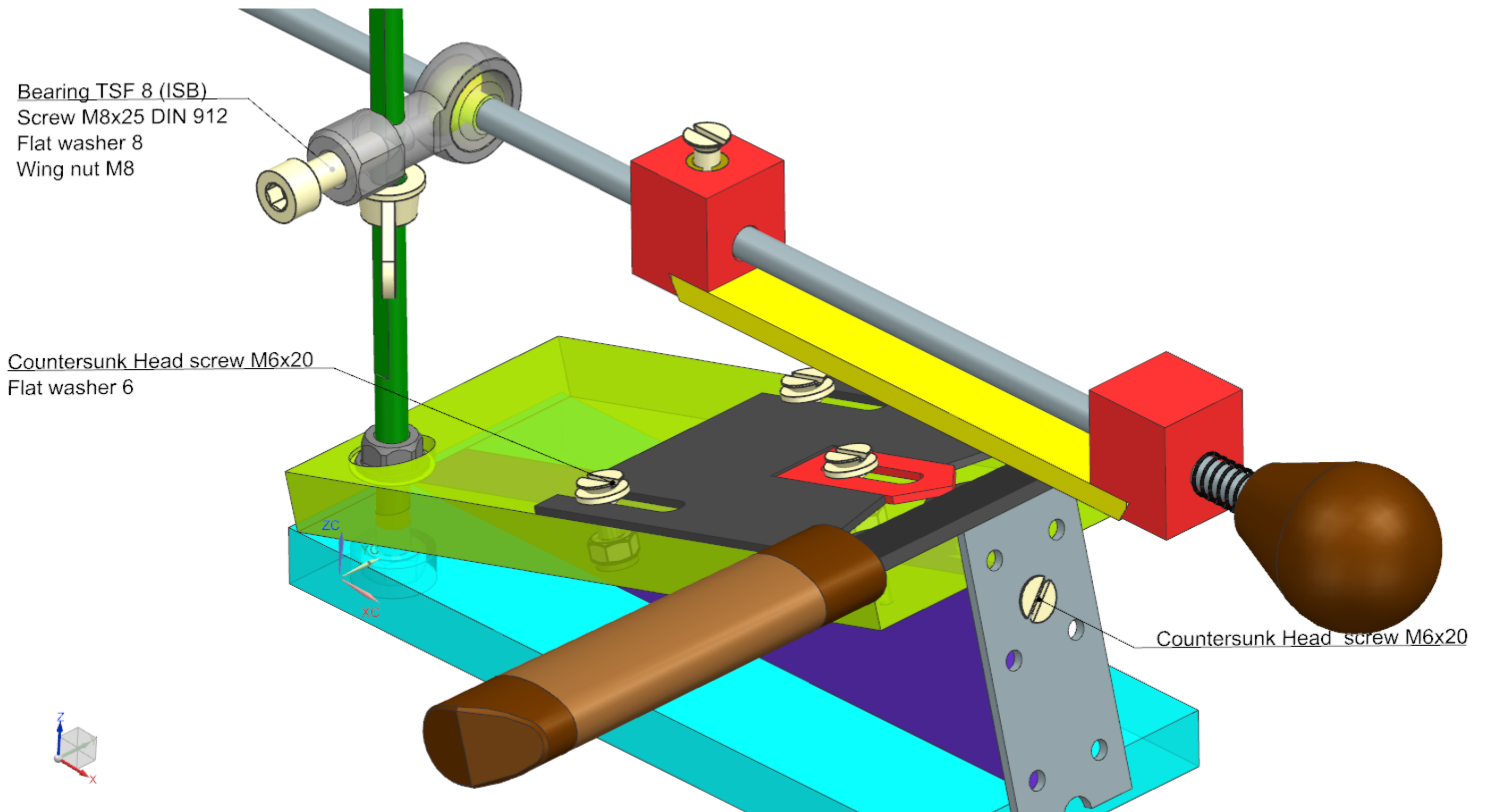


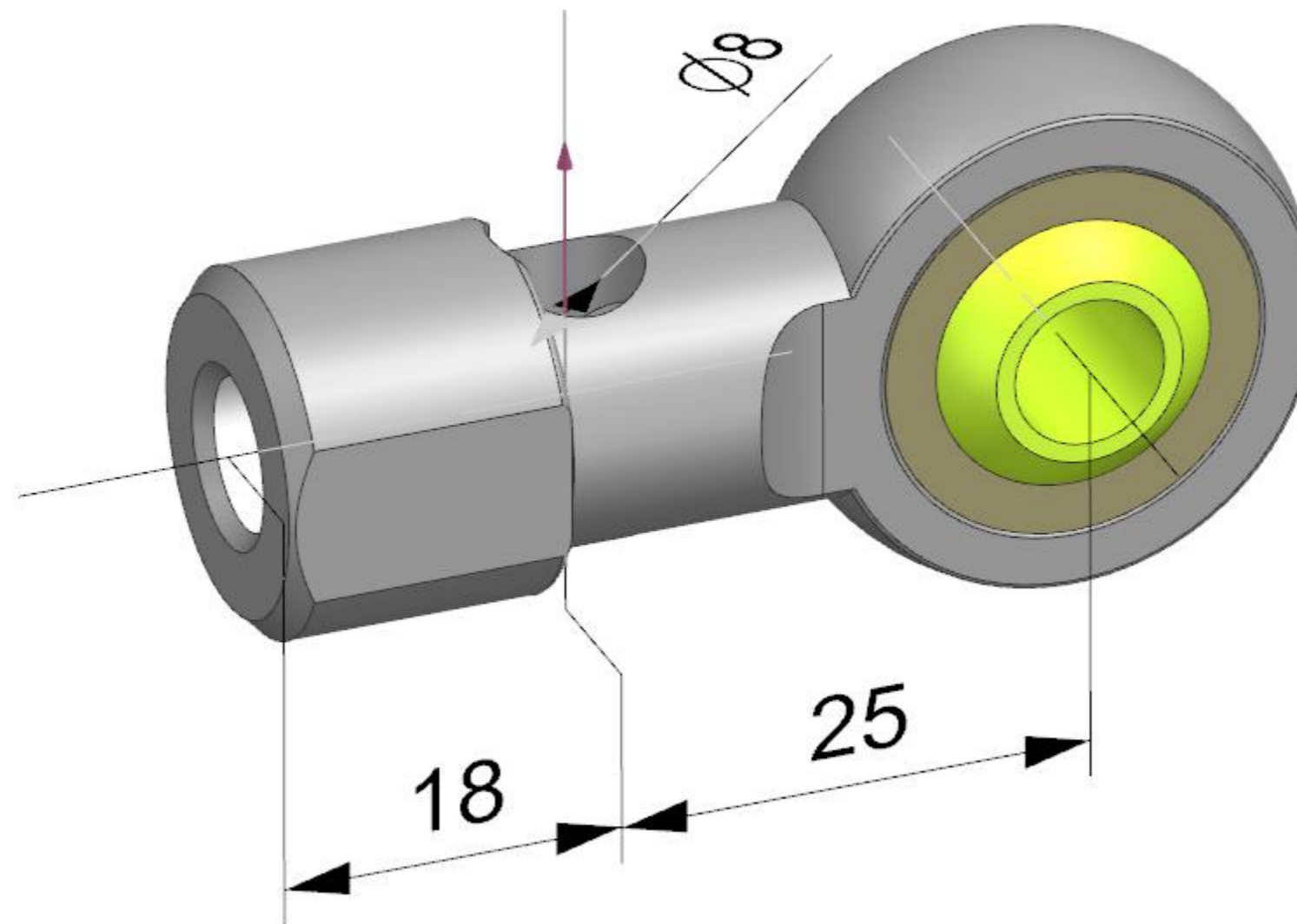




Bearing TSF 8 (ISB)
Screw M8x25 DIN 912
Flat washer 8
Wing nut M8







All dimensions in millimeters (mm)

Other tools and jigs:

[DIY Angle Grinder Stand](#)

[Drill bit organizer + Plans](#)

[DIY Drill Press Stand + Plans](#)

[DIY Hold down clamps + Printable templates](#)

[Mini Chainsaw Mill + Plans](#)