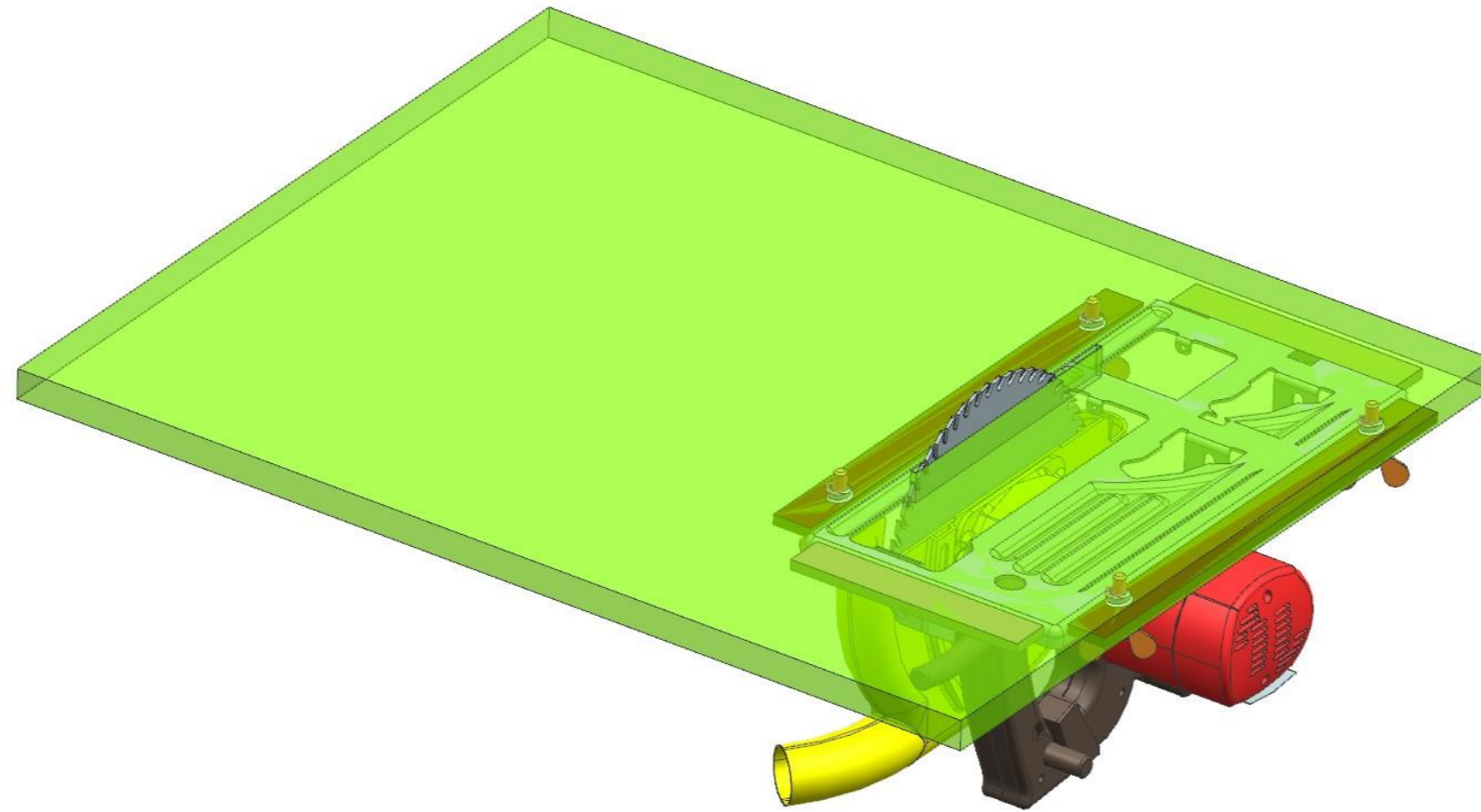


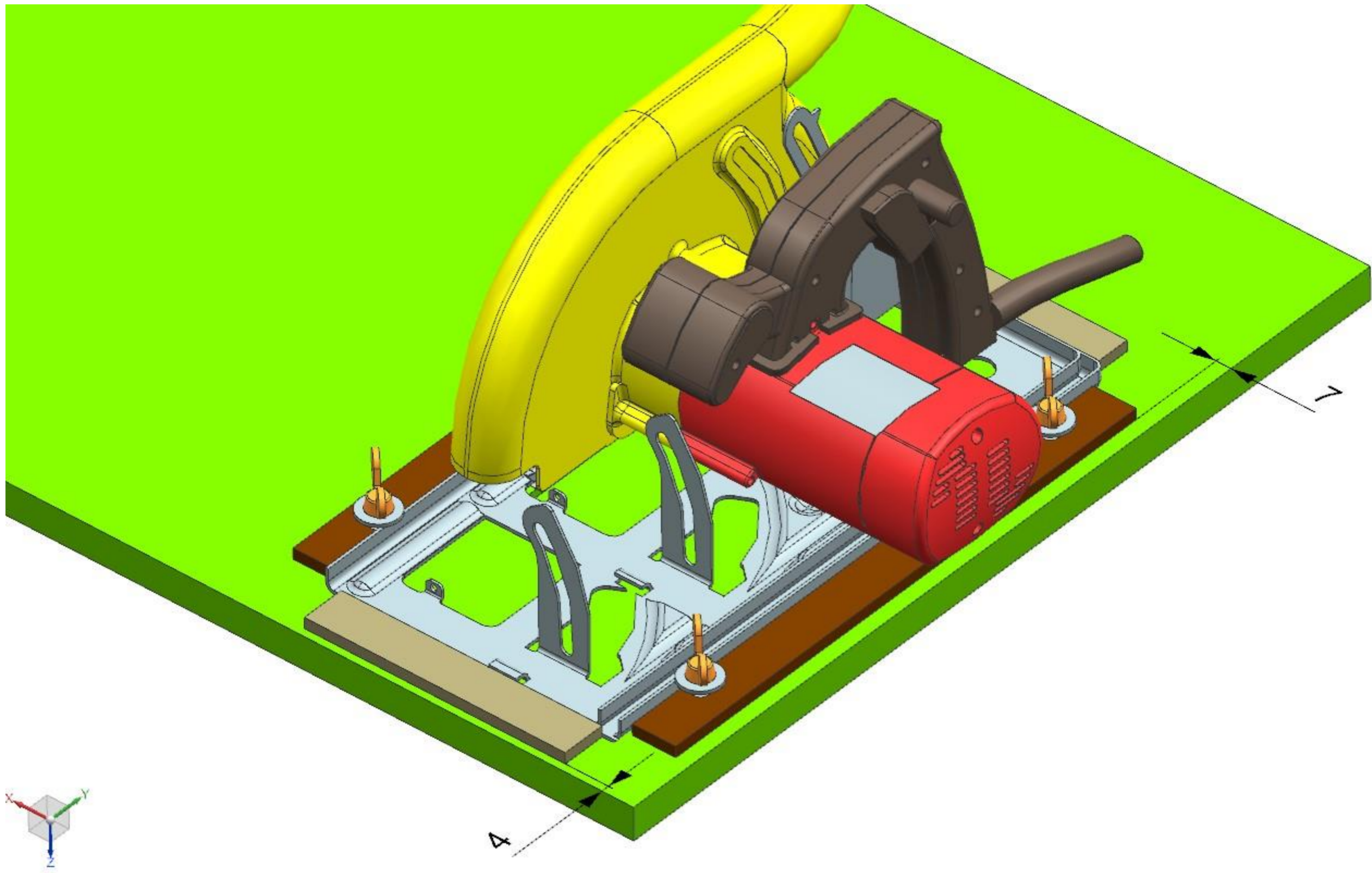
DIY Mobile Table Saw | Plans with dimensions

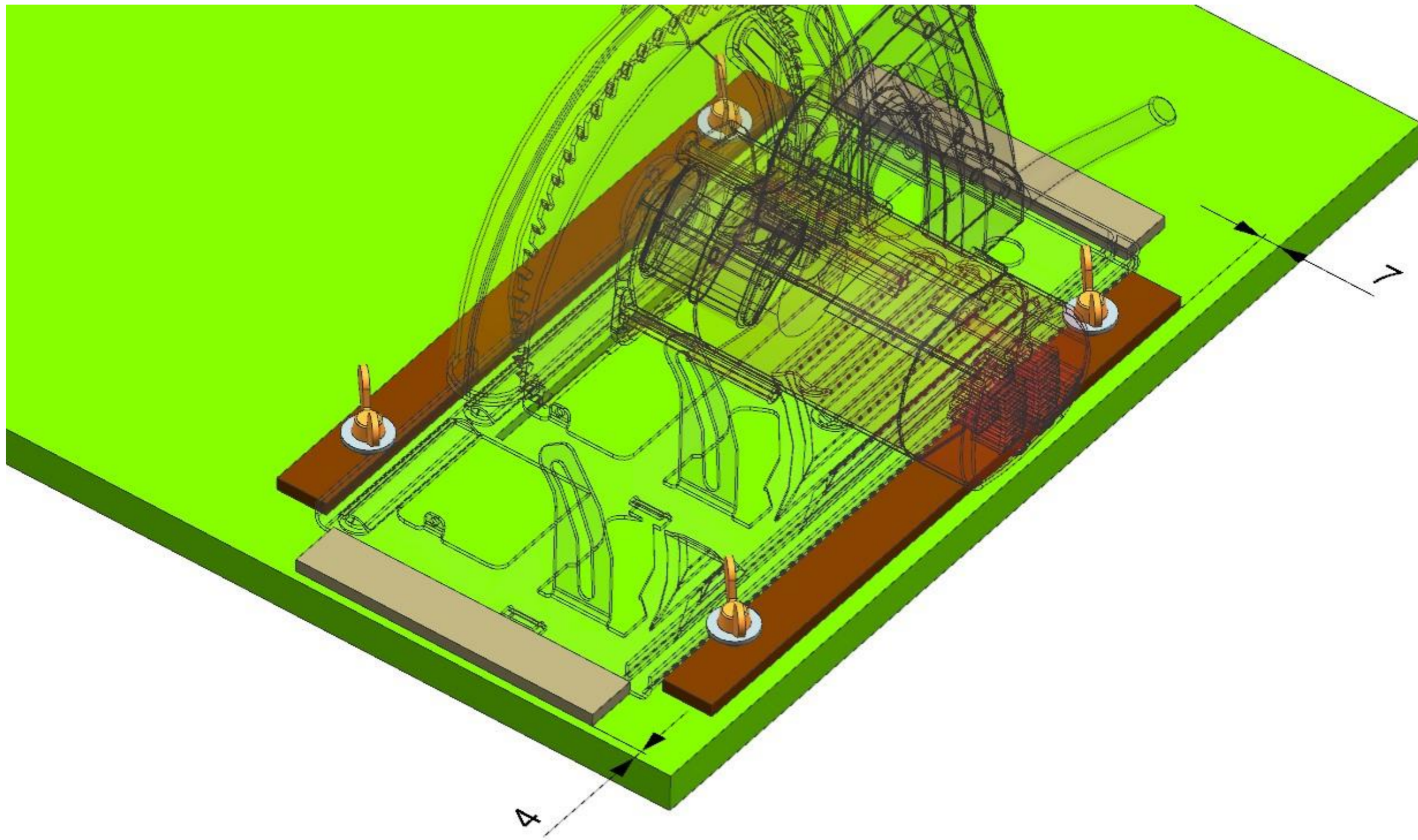


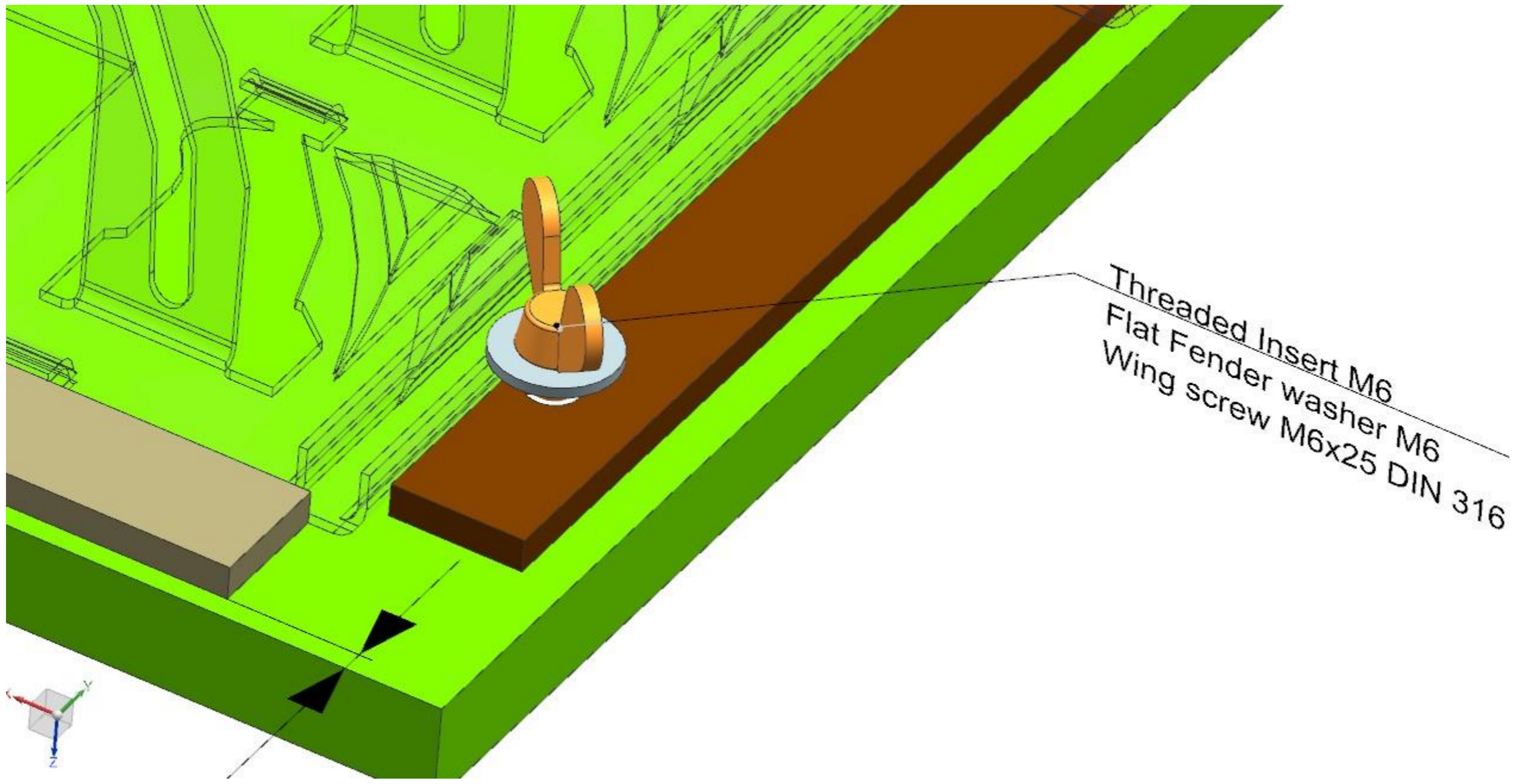


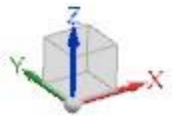
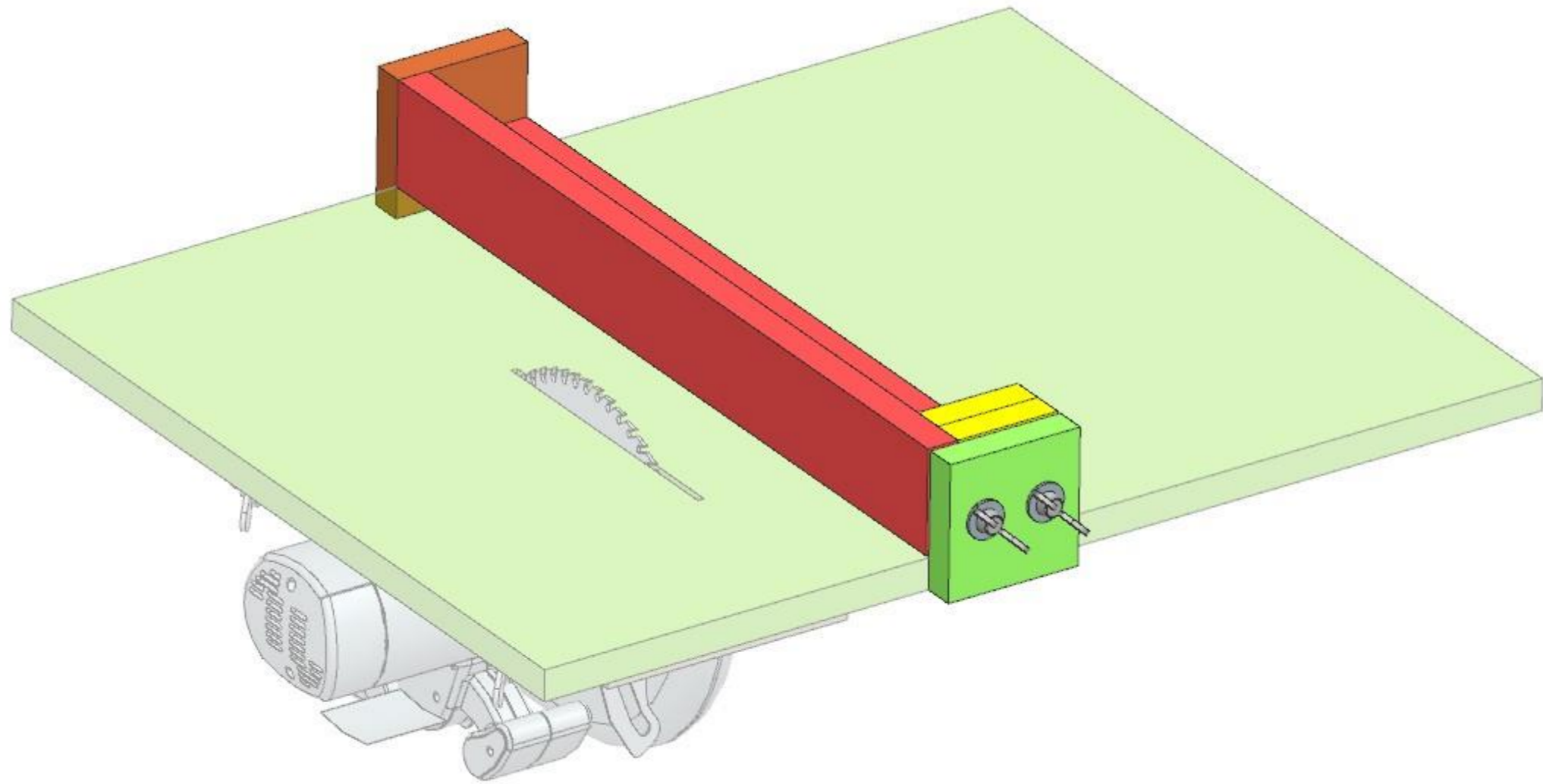
Fasteners and Materials:

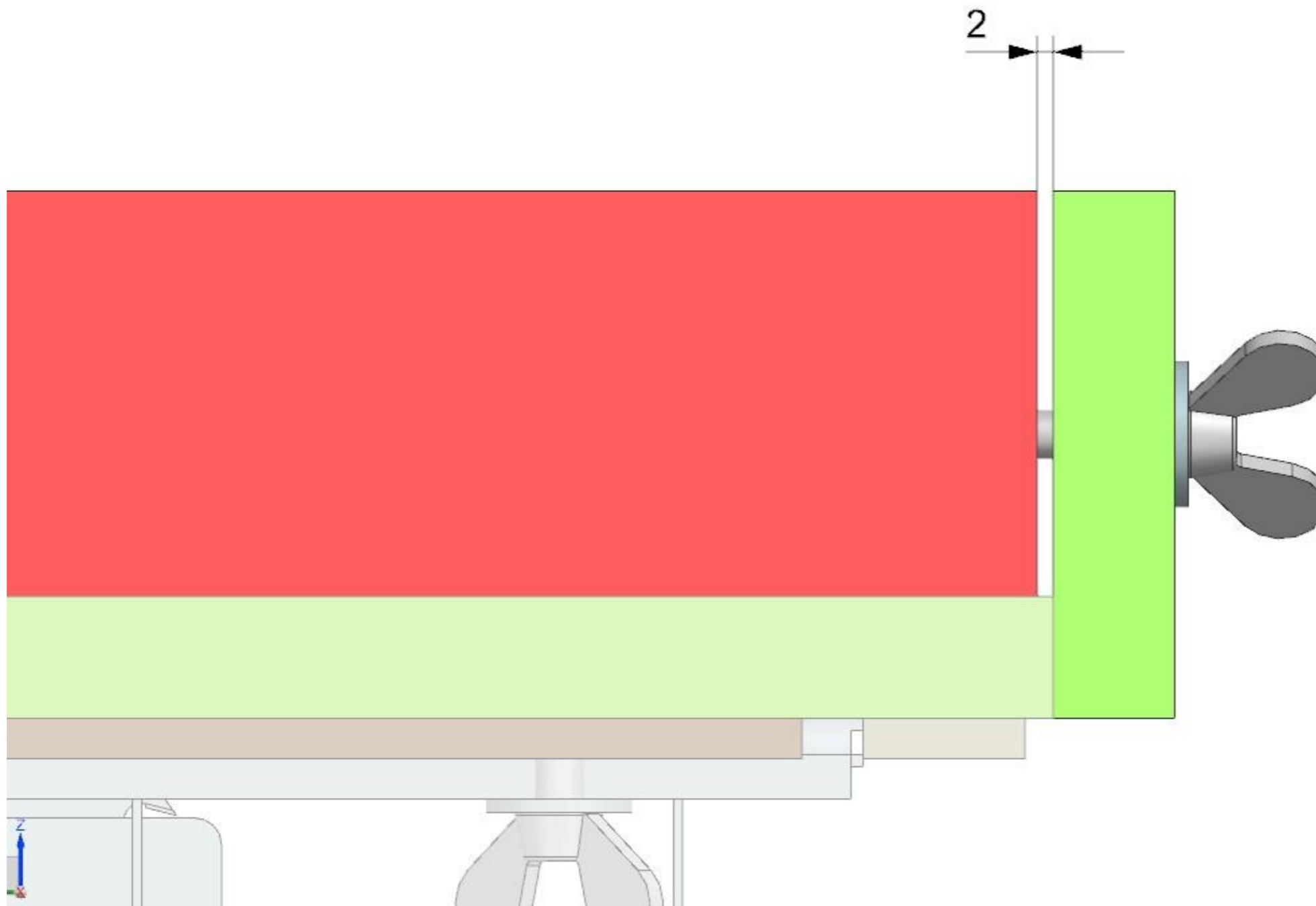
- Threaded Insert M6
- Flat Fender washer M6
- Wing screw M6x25 DIN 316Sandpaper
- Screws
- Plywood S=15 mm

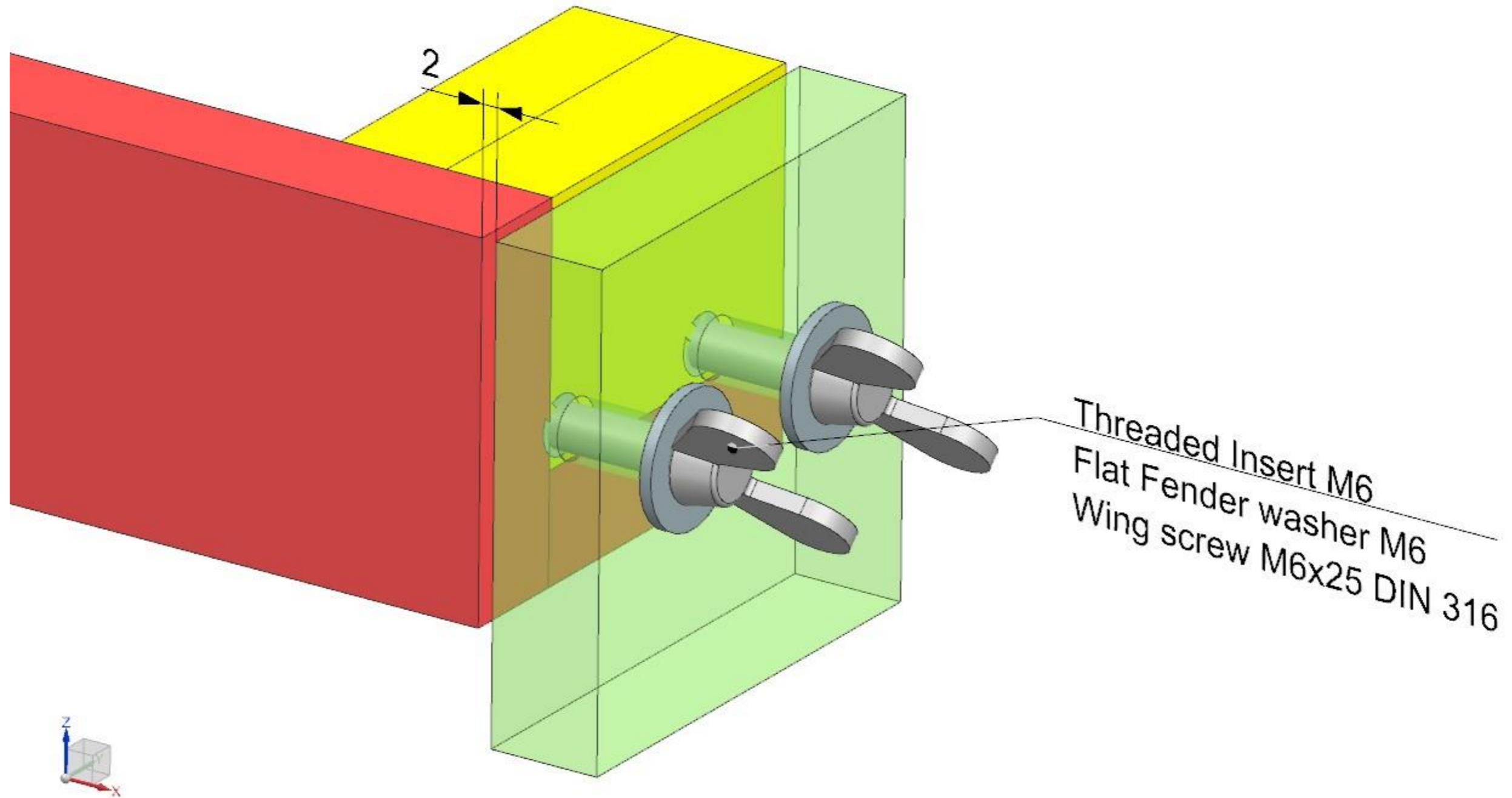


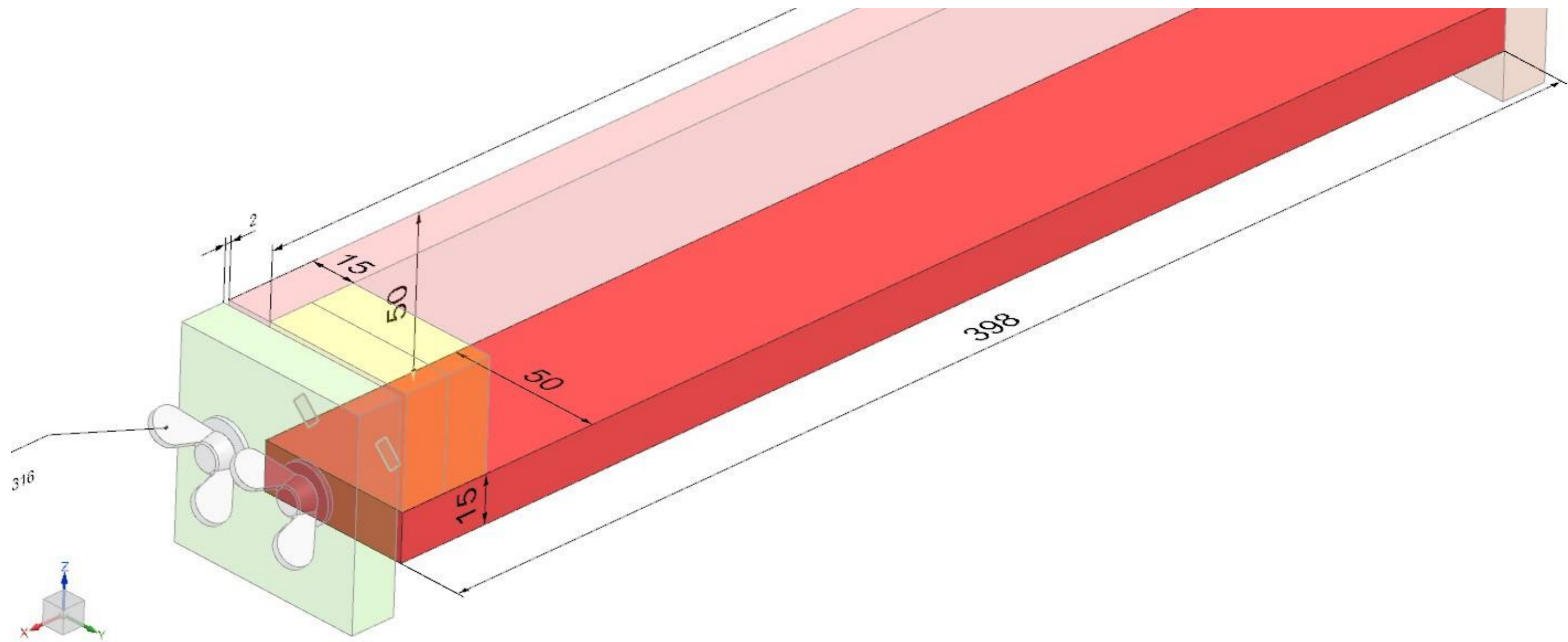


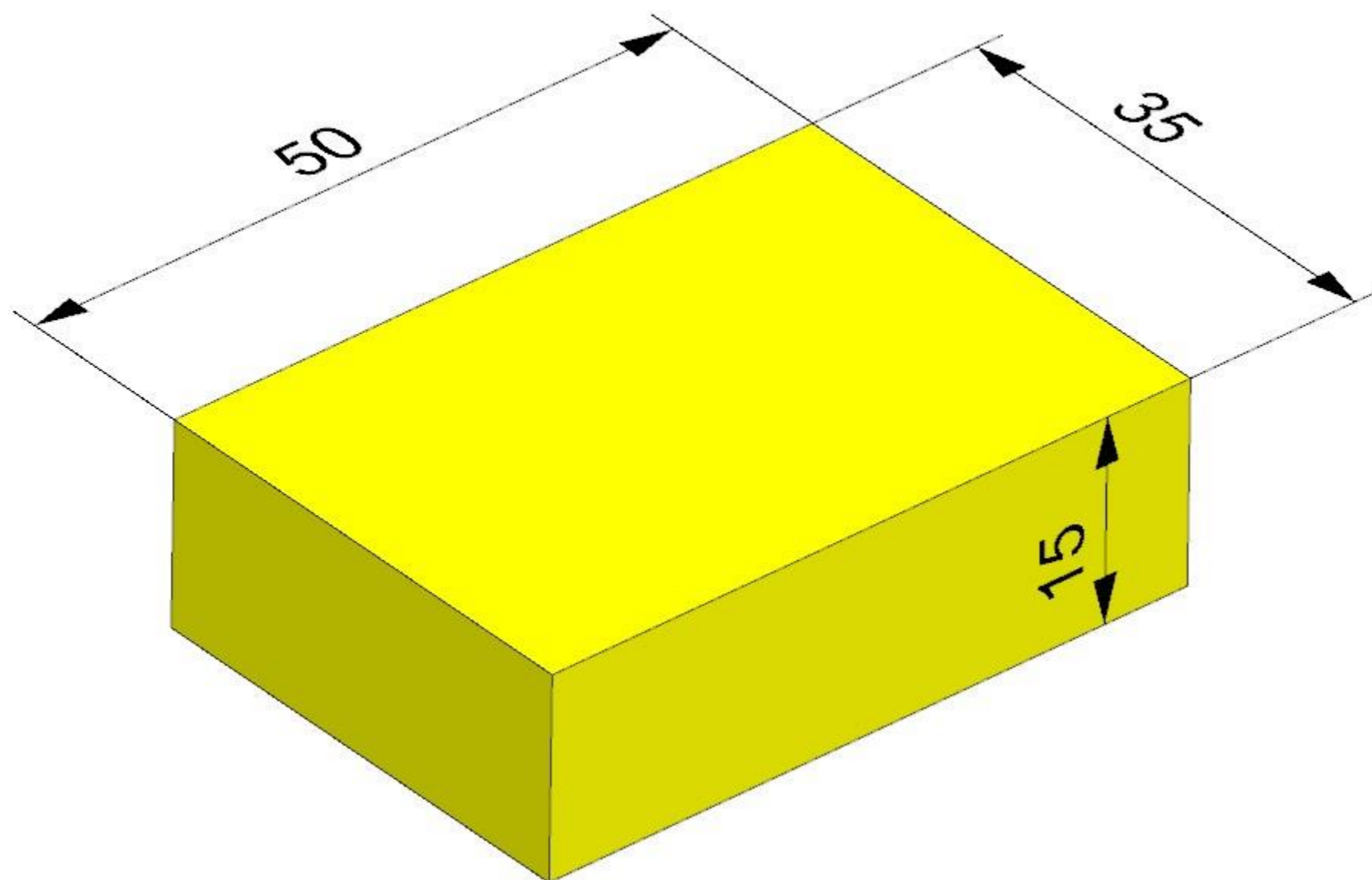


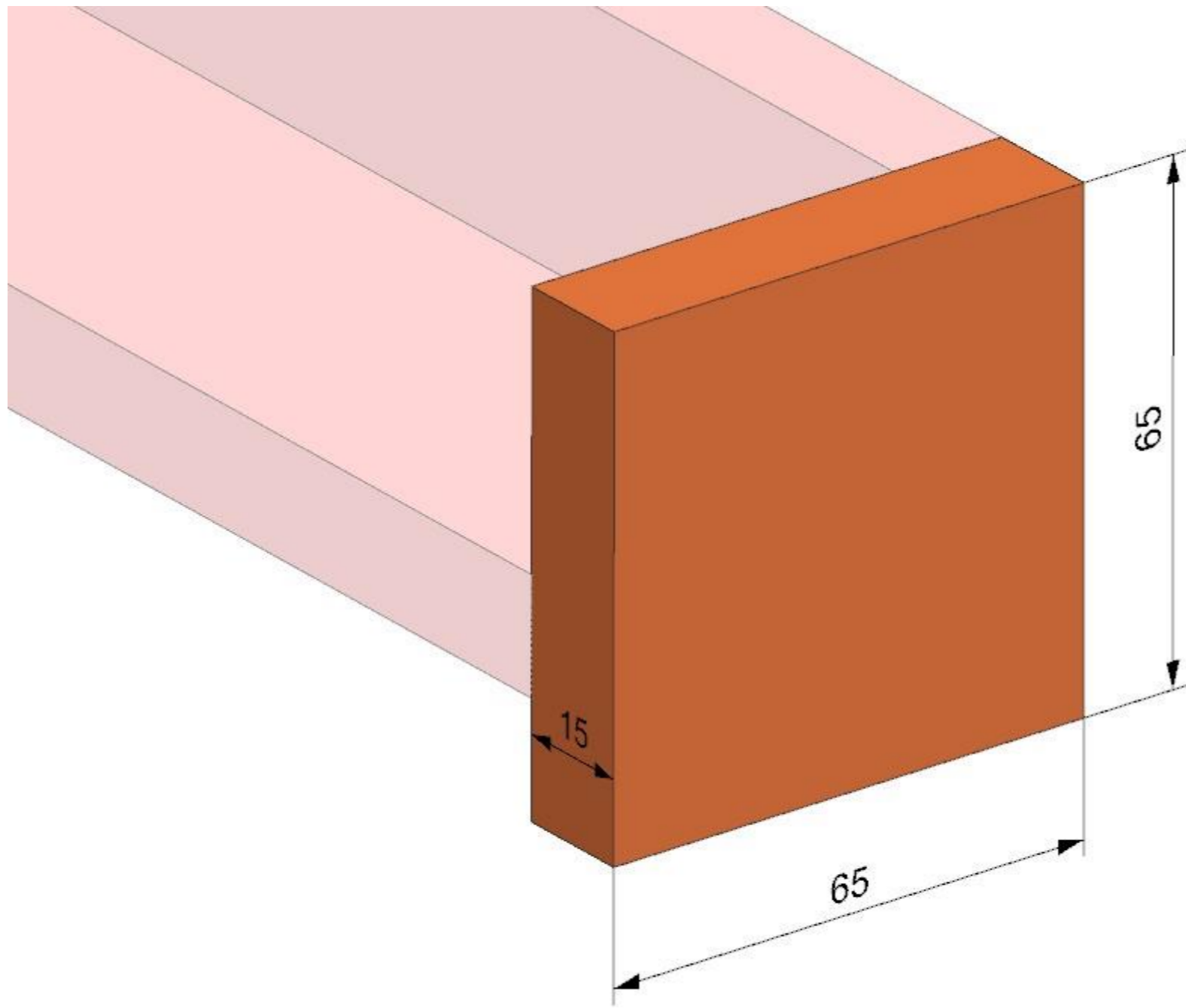


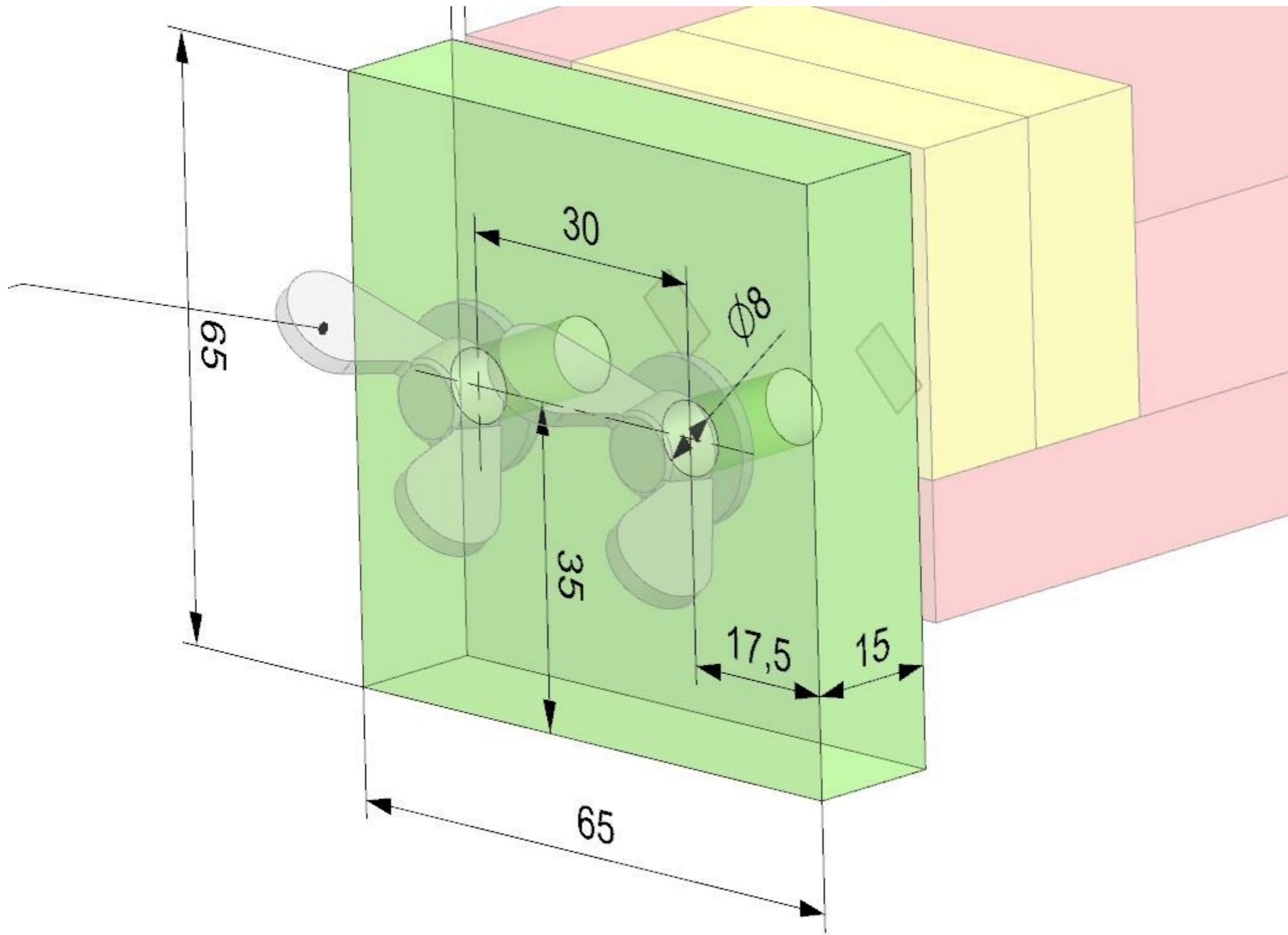


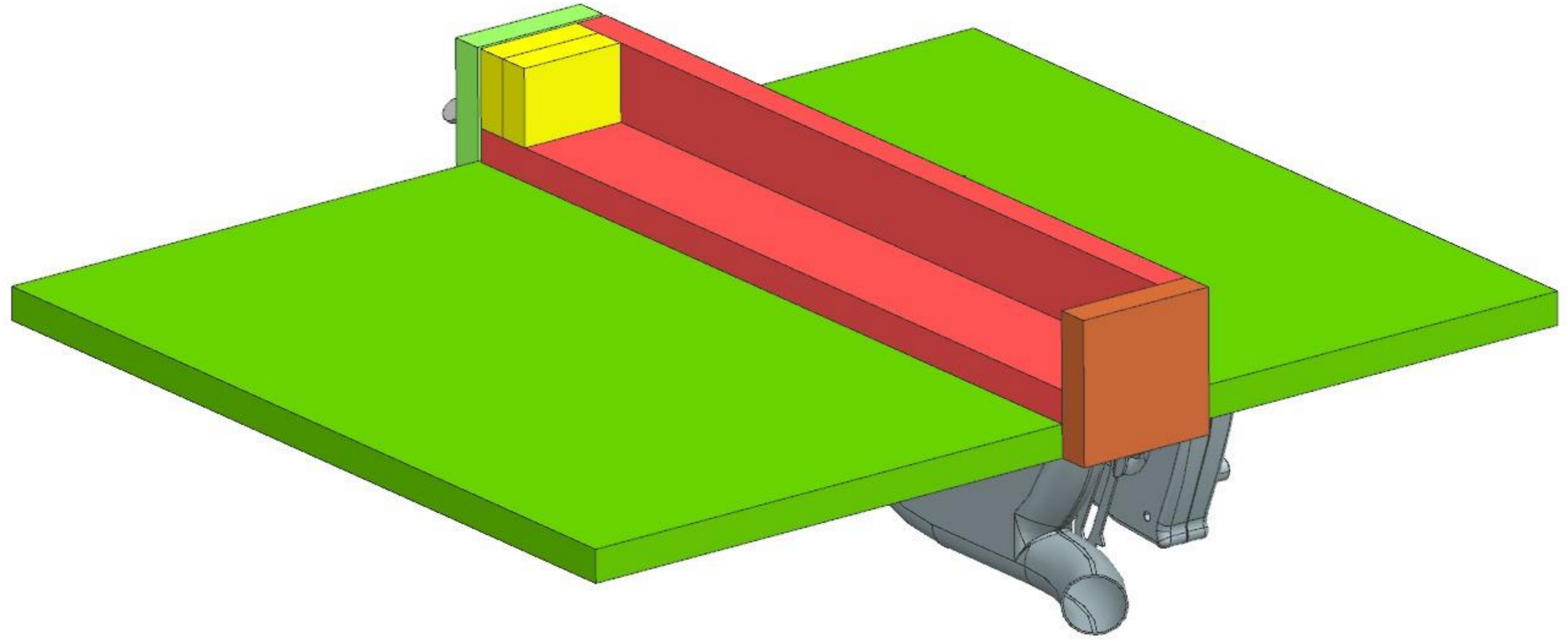


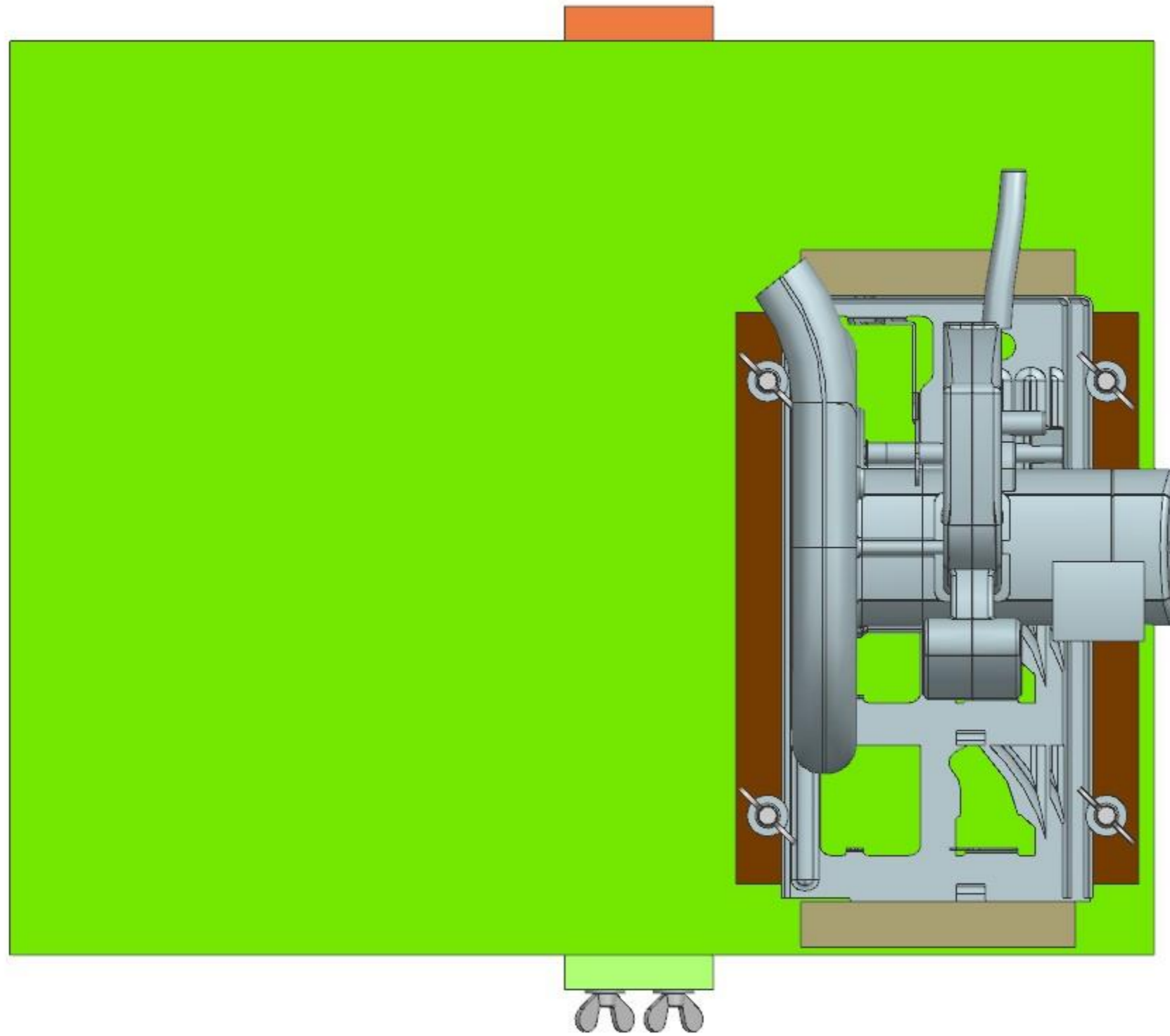


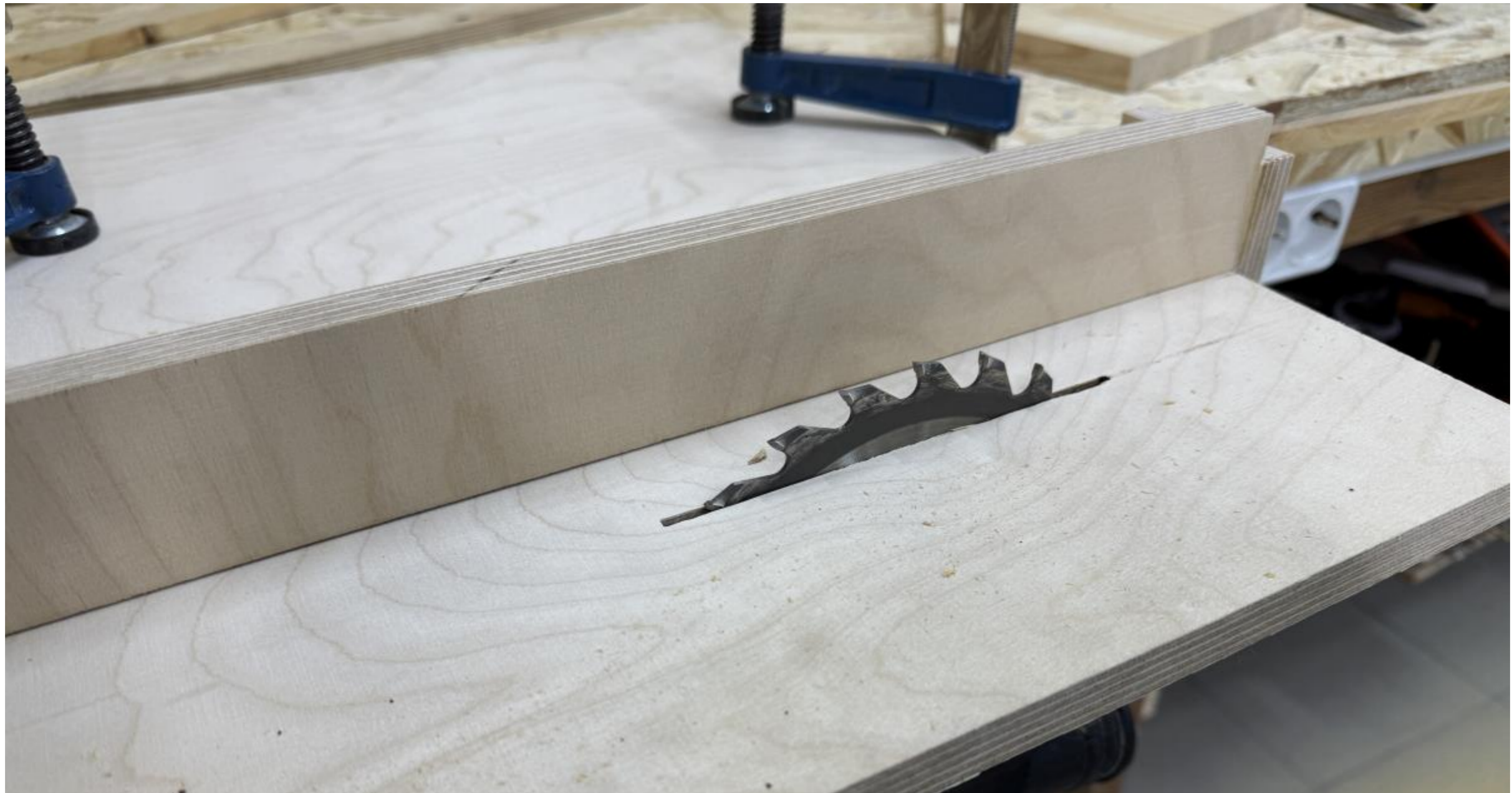












All dimensions in millimeters (mm)

Other tools and jigs:

[DIY Angle Grinder Stand](#)

[Drill bit organizer + Plans](#)

[DIY Drill Press Stand + Plans](#)

[DIY Hold down clamps + Printable templates](#)

[Mini Chainsaw Mill + Plans](#)

[Buy me a coffee](#) 