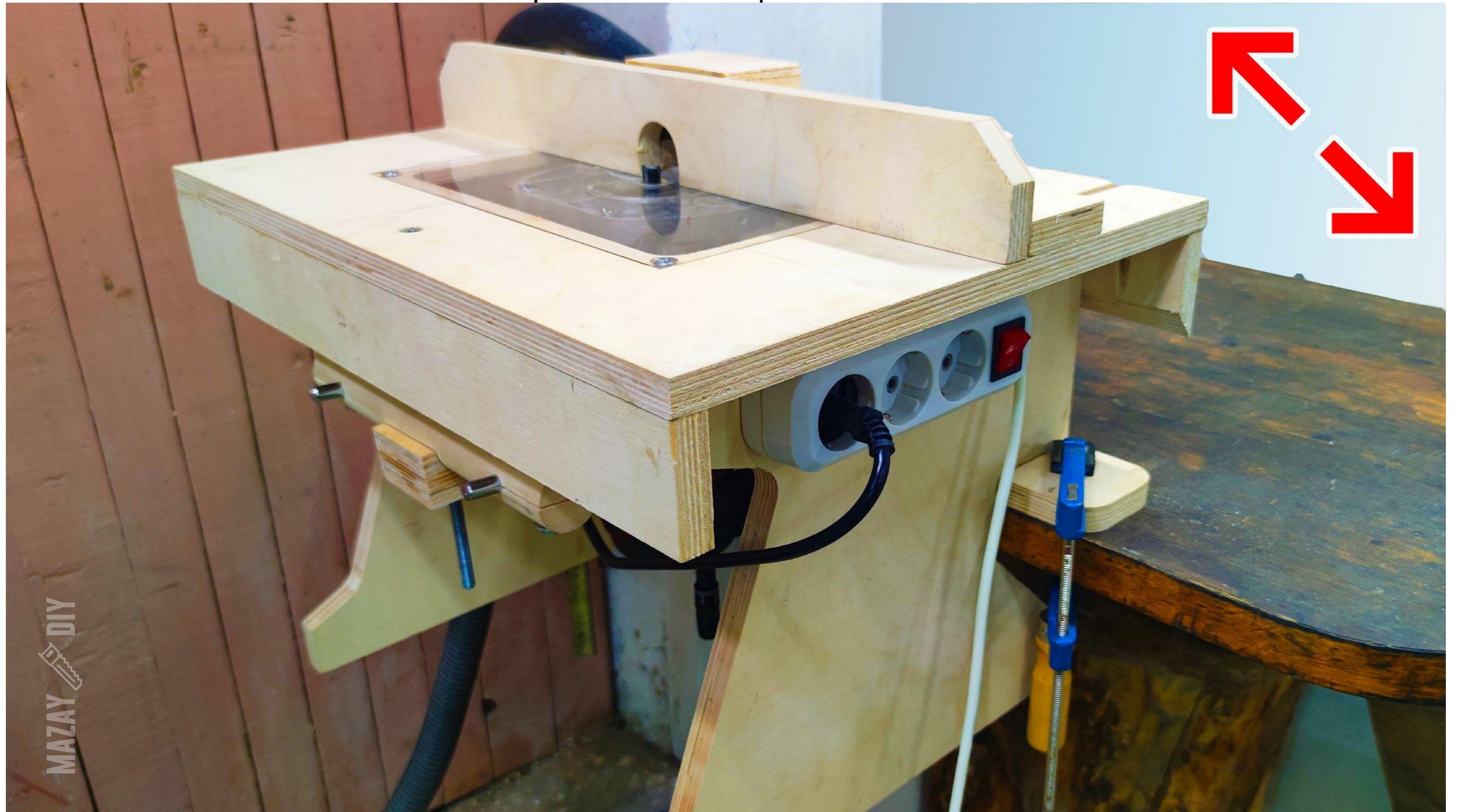
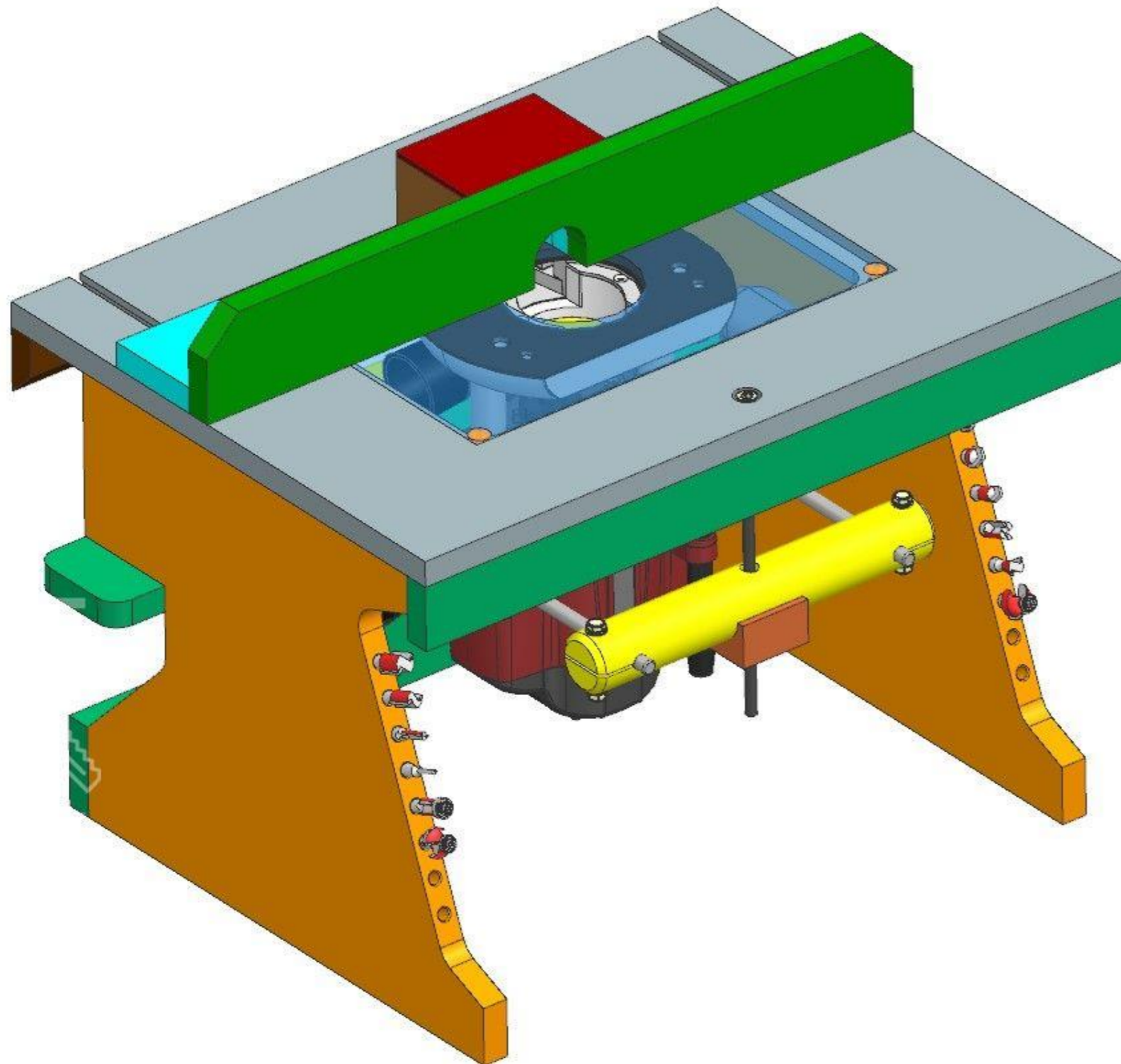


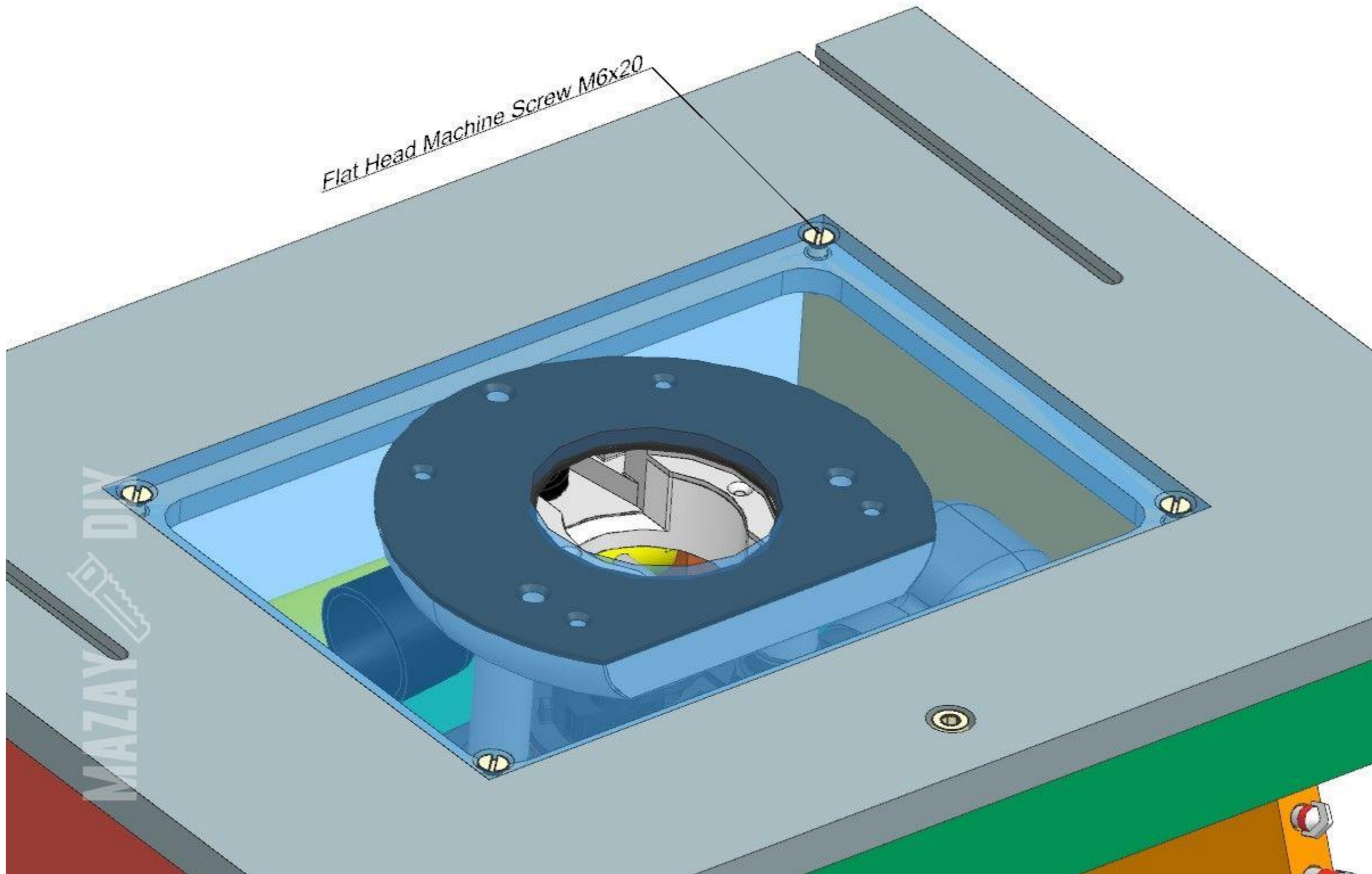
DIY Benchtop Router Table| Plans with dimensions

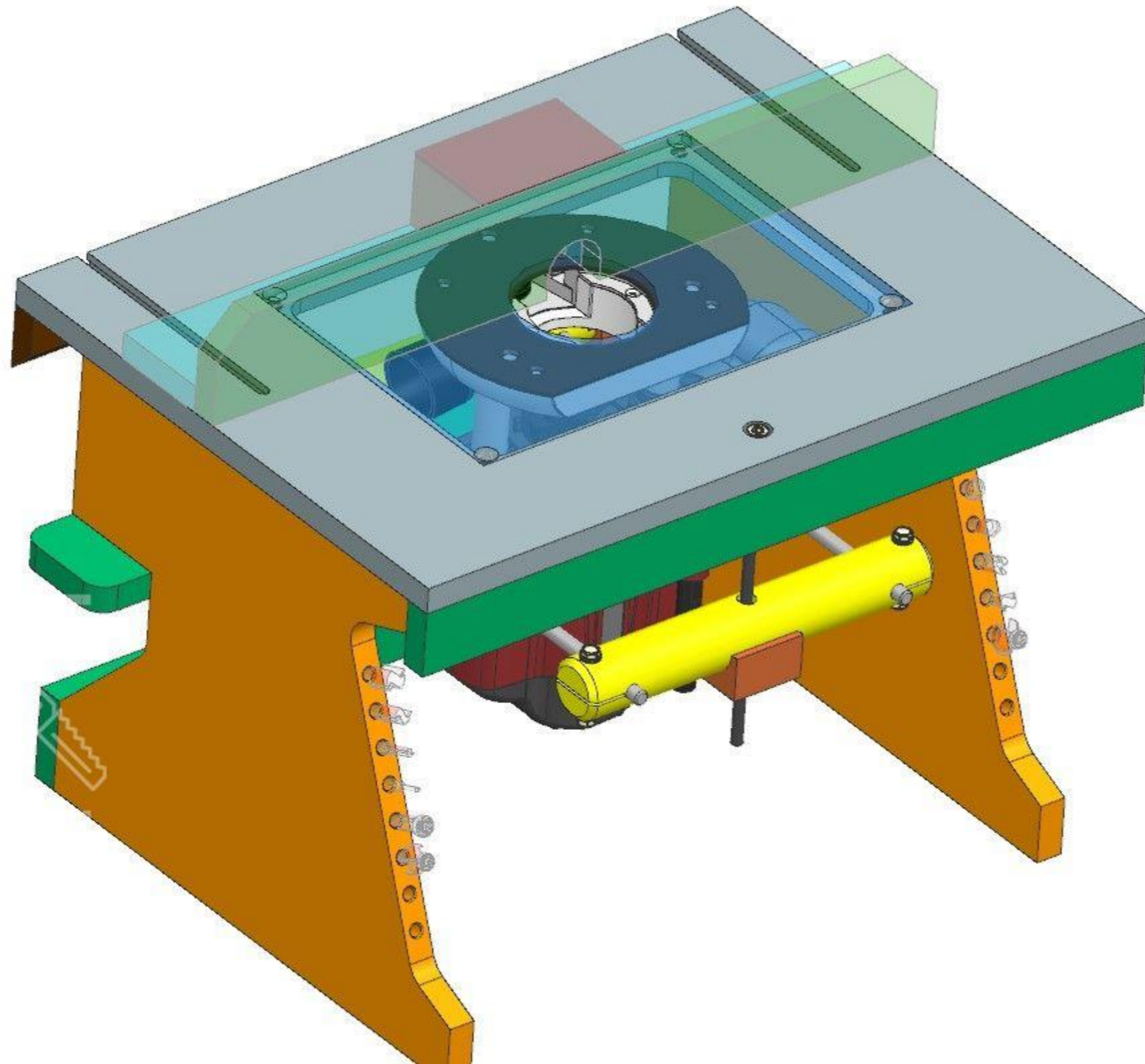


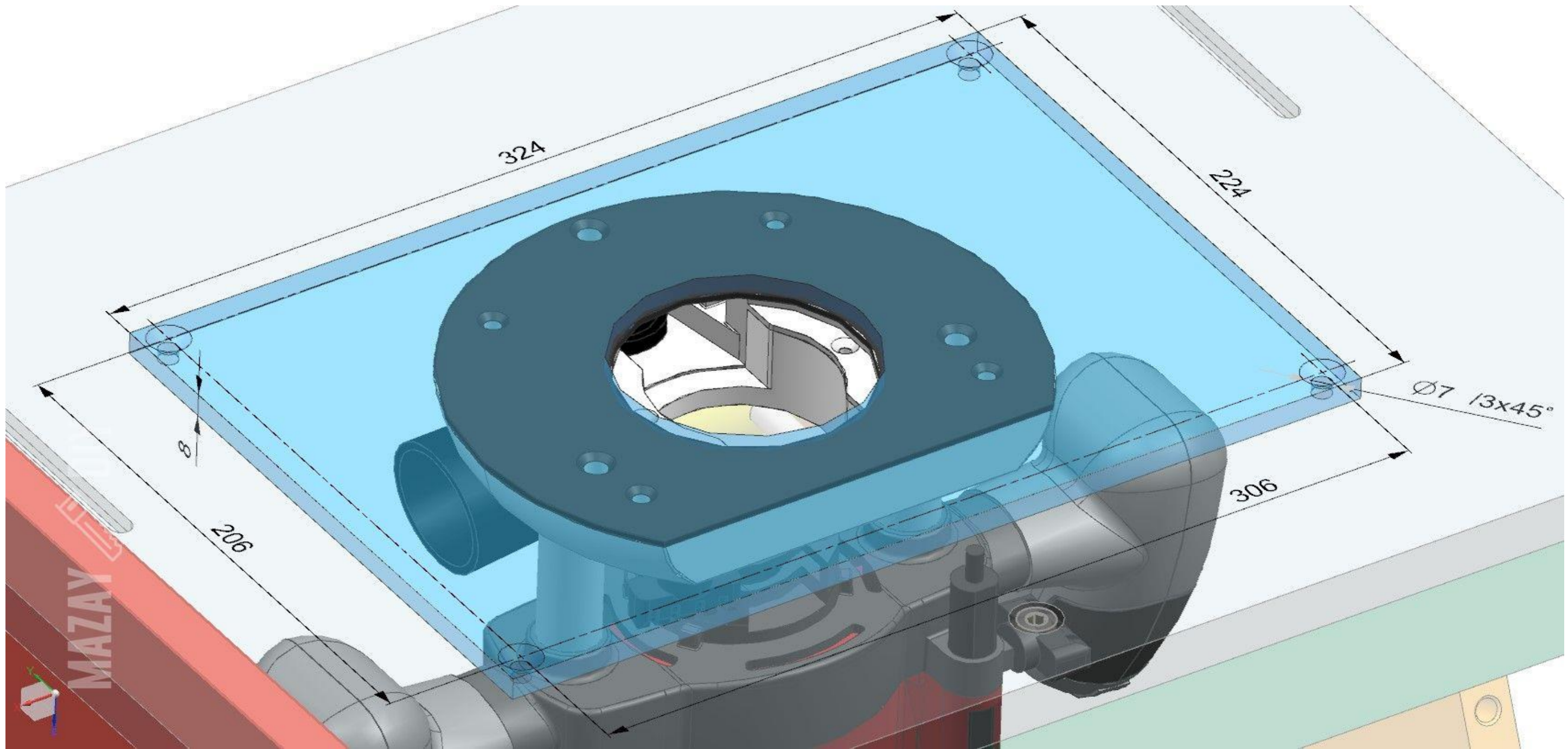


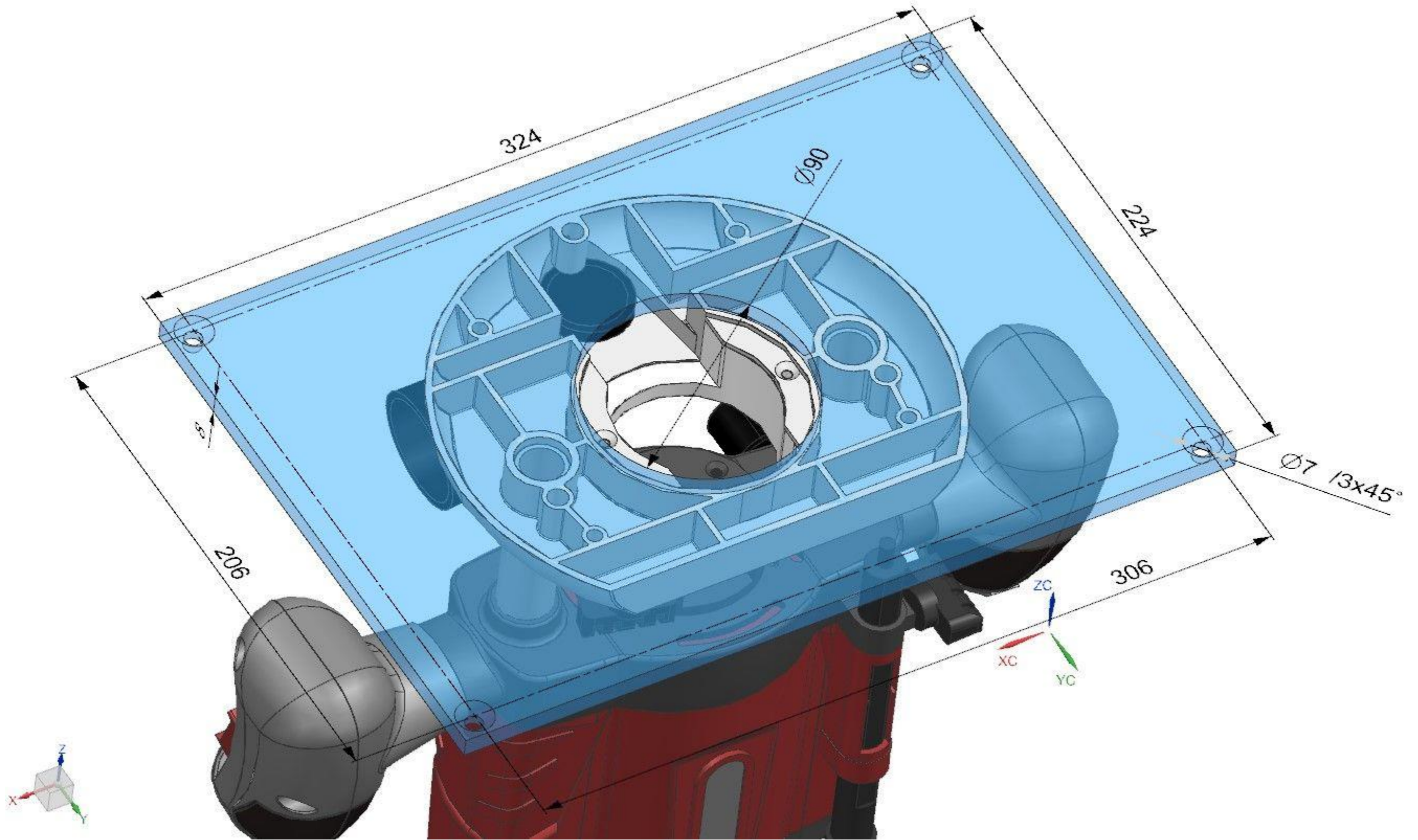
Fasteners and Materials:

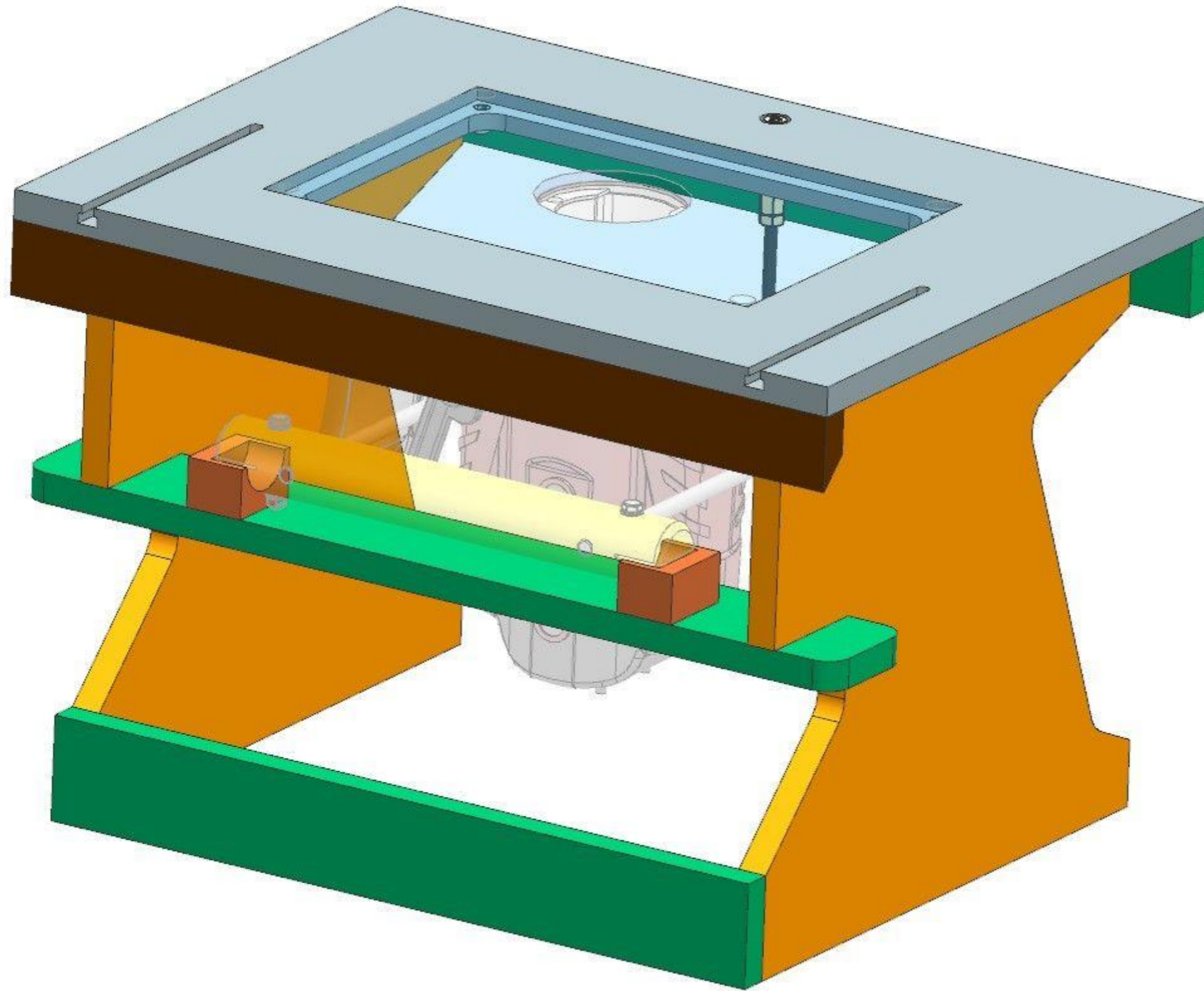
- [Bolt M6 x 50](#) x 4
- [Coupling nut M8](#) x 1
- [Flat Head Machine Screw M6x20](#) x 4
- [Flat washer 6](#) x 8
- [Flat washer 8](#) x 4
- Hexagon socket head cap screw DIN 912 M8x35
- [Nut M6](#) x 4
- [Nut M8](#) x 5
- [Threaded Insert M6](#) x 4
- [Threaded rod M8](#), length=180 mm
- Plexiglass Sheet S=8mm
- Plywood 4 mm
- [Plywood 18 mm](#)

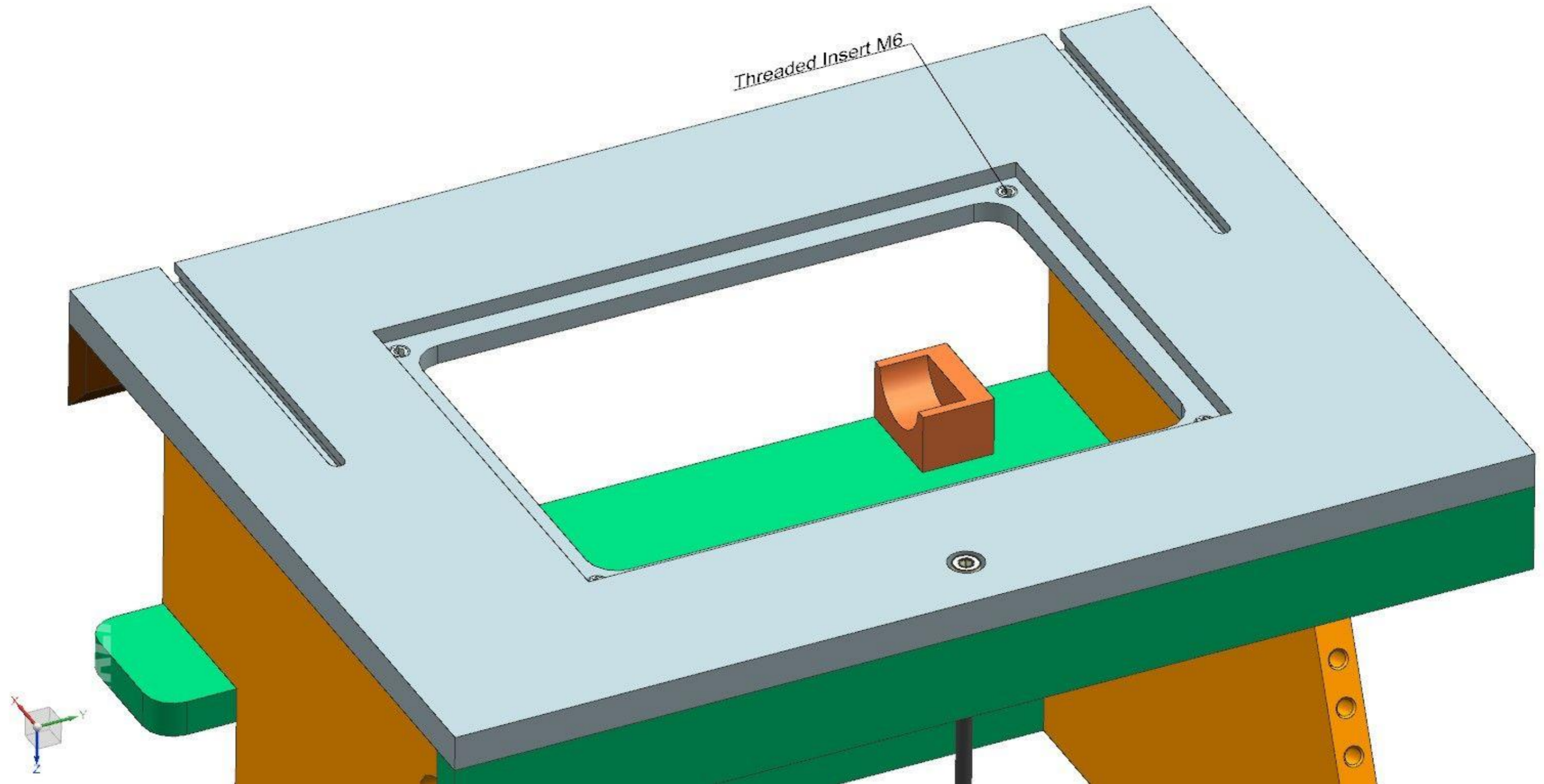


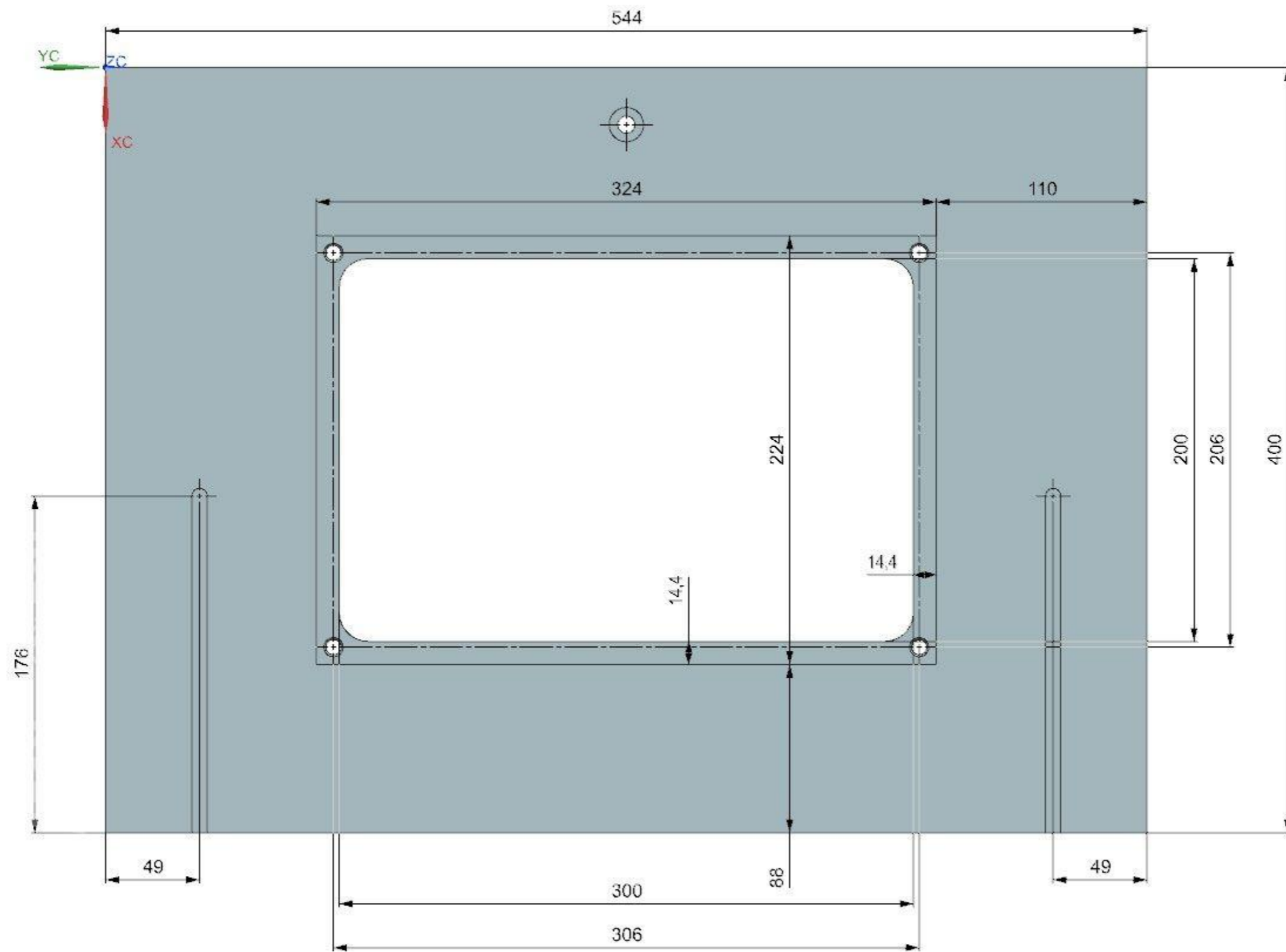


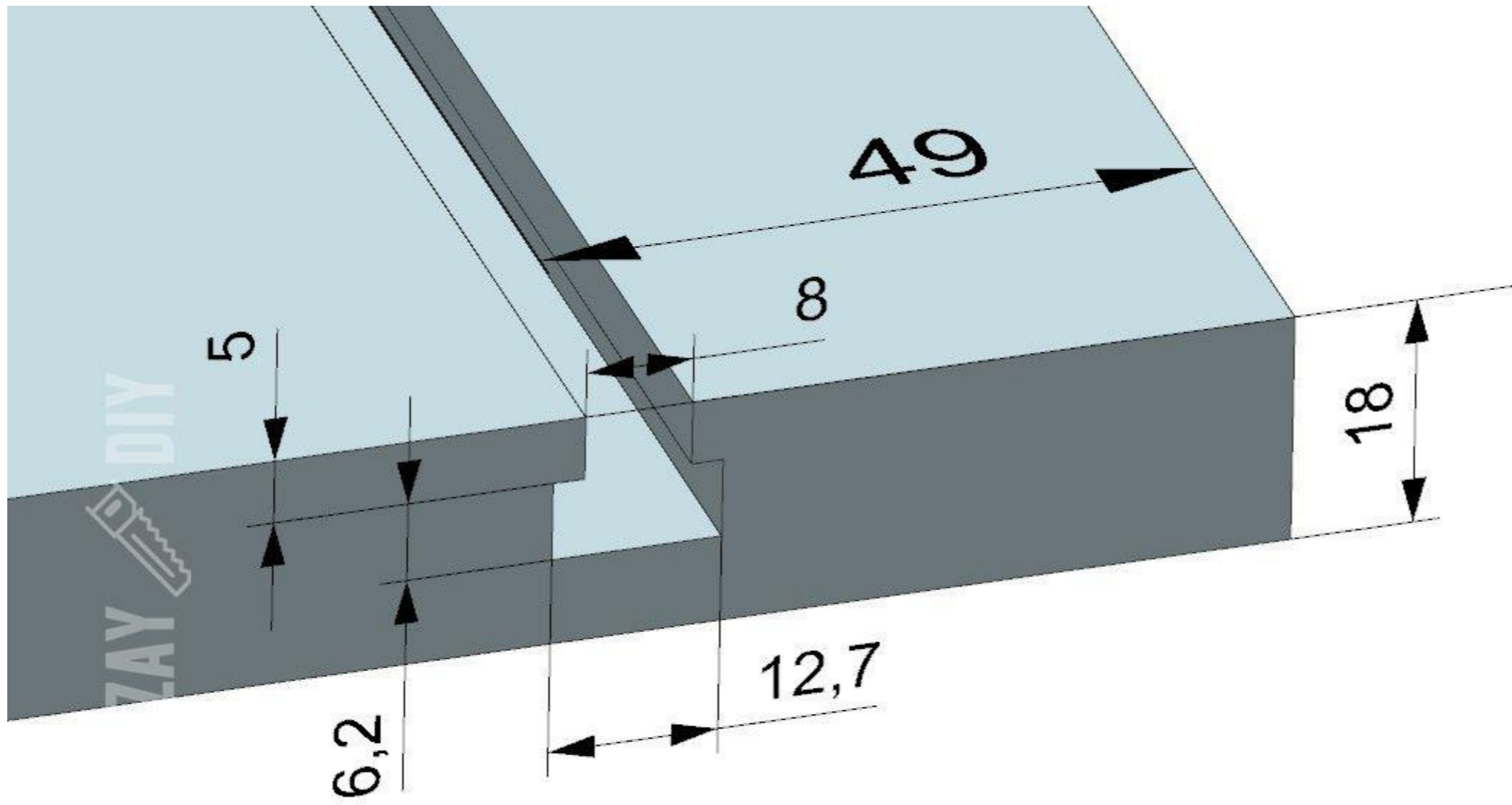


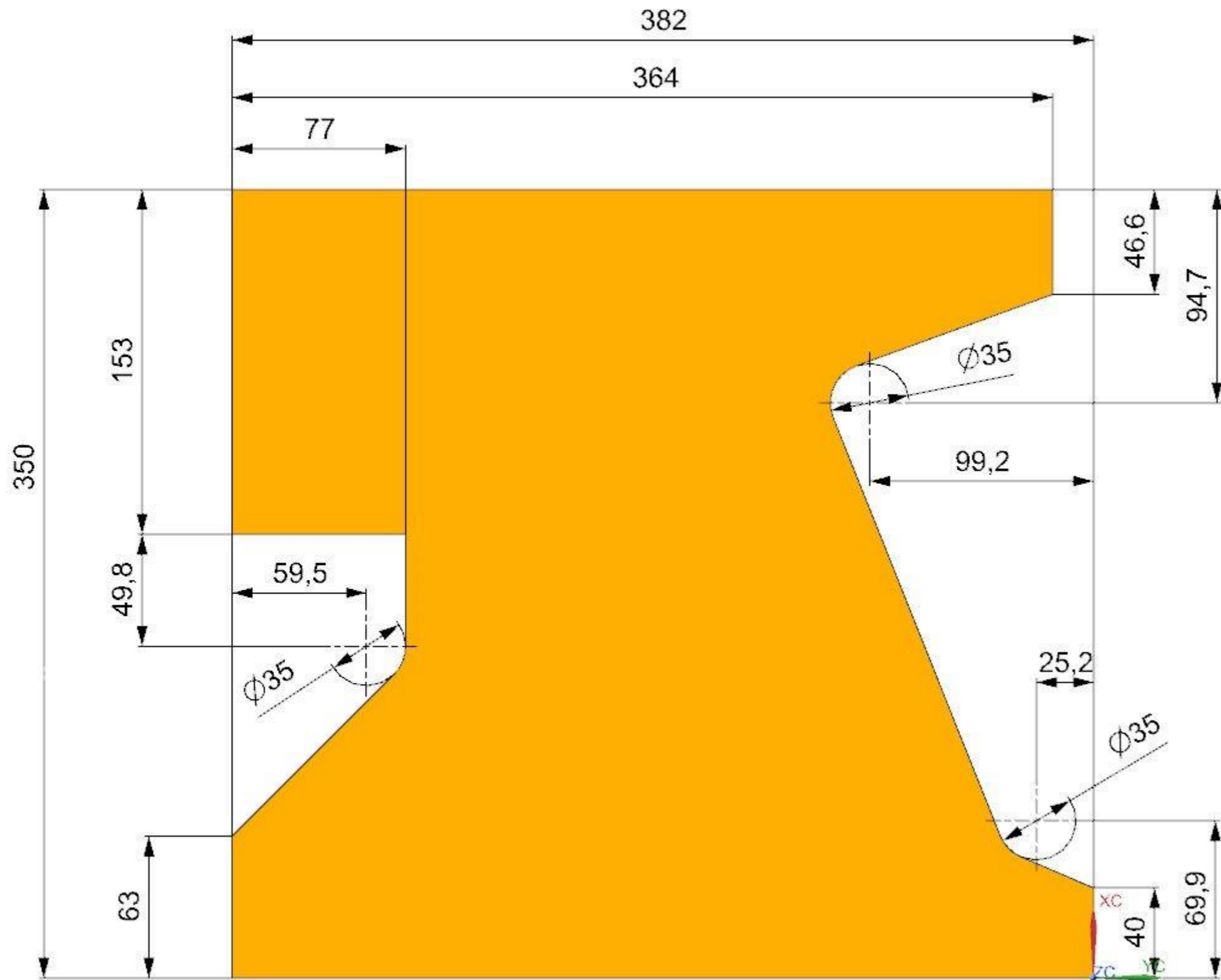


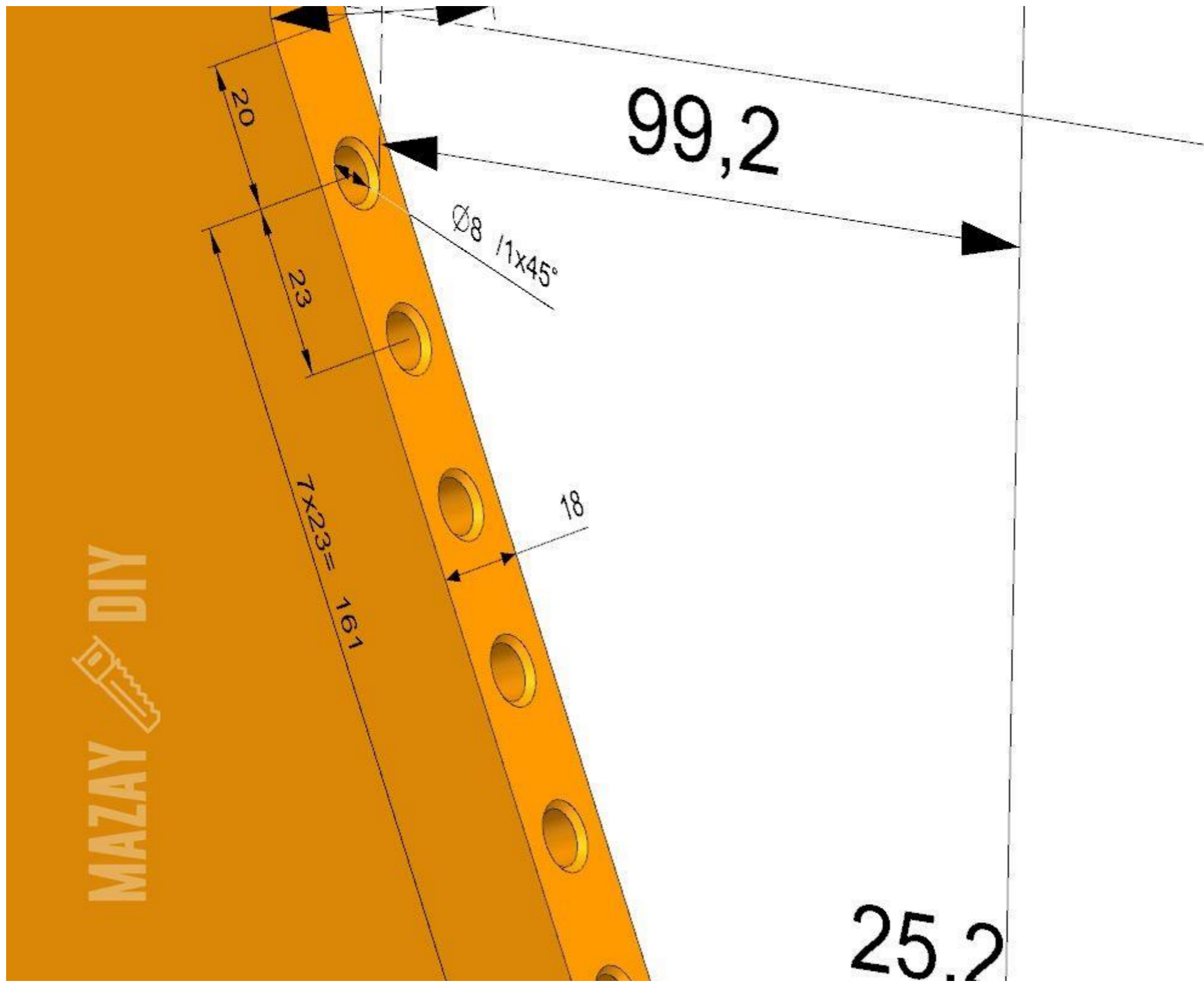


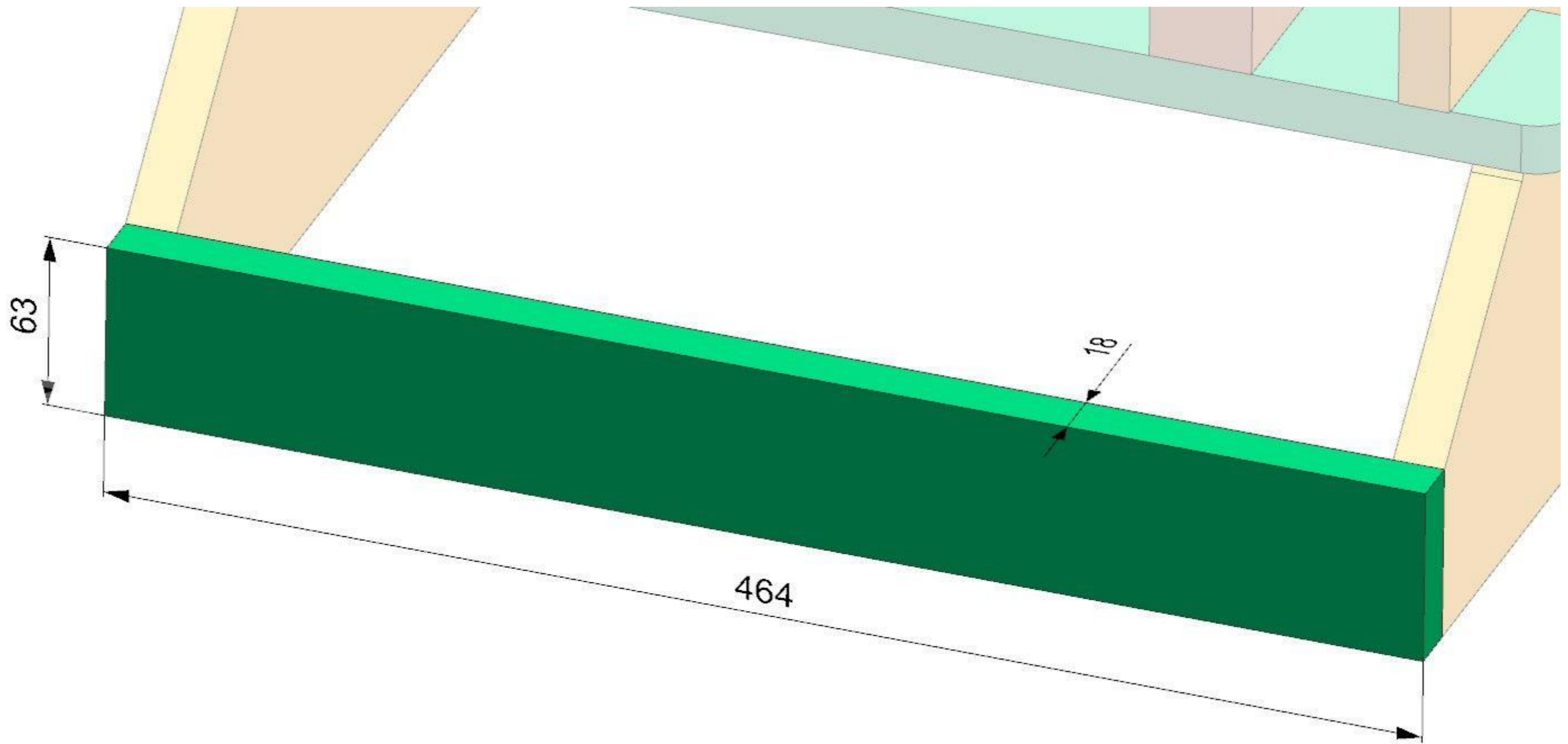


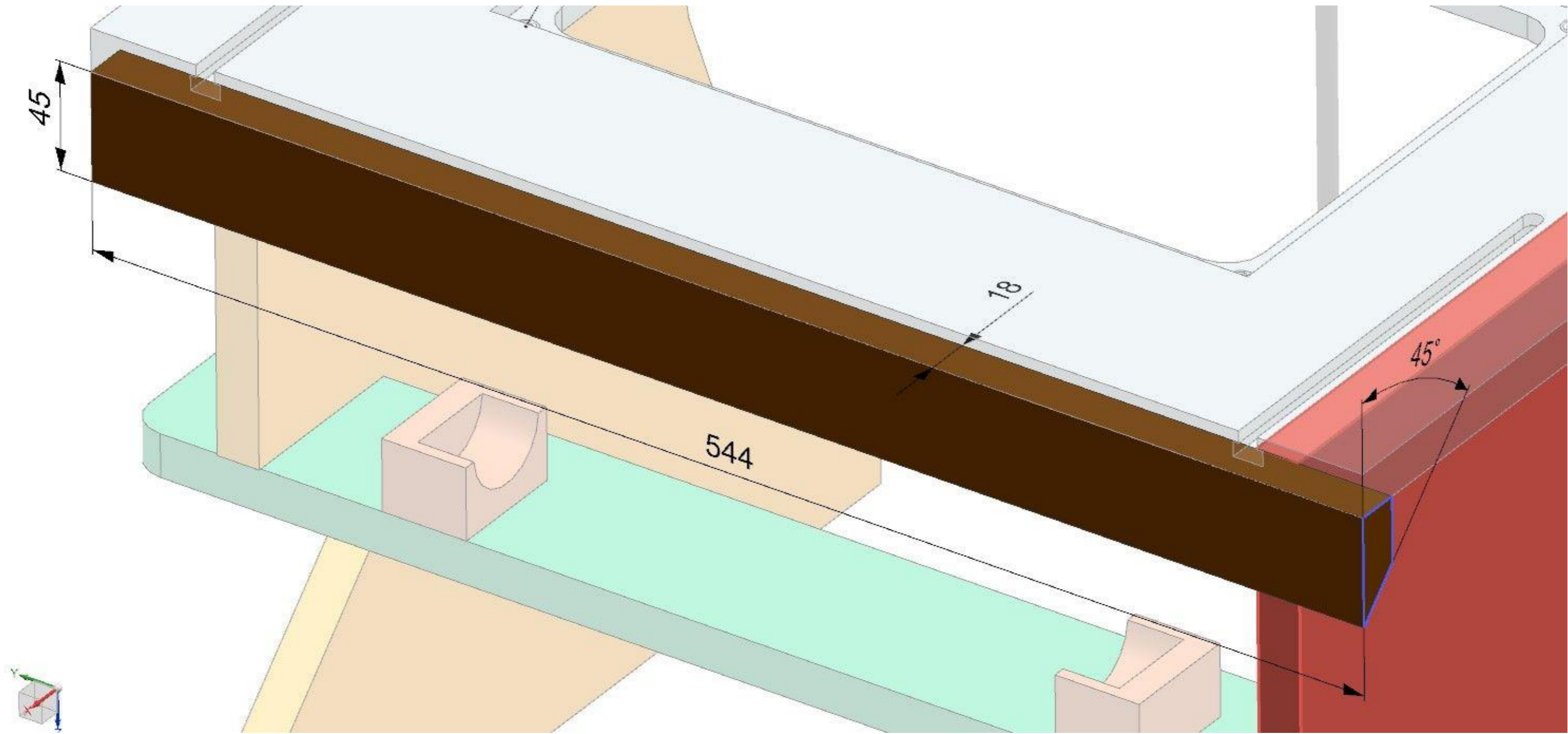


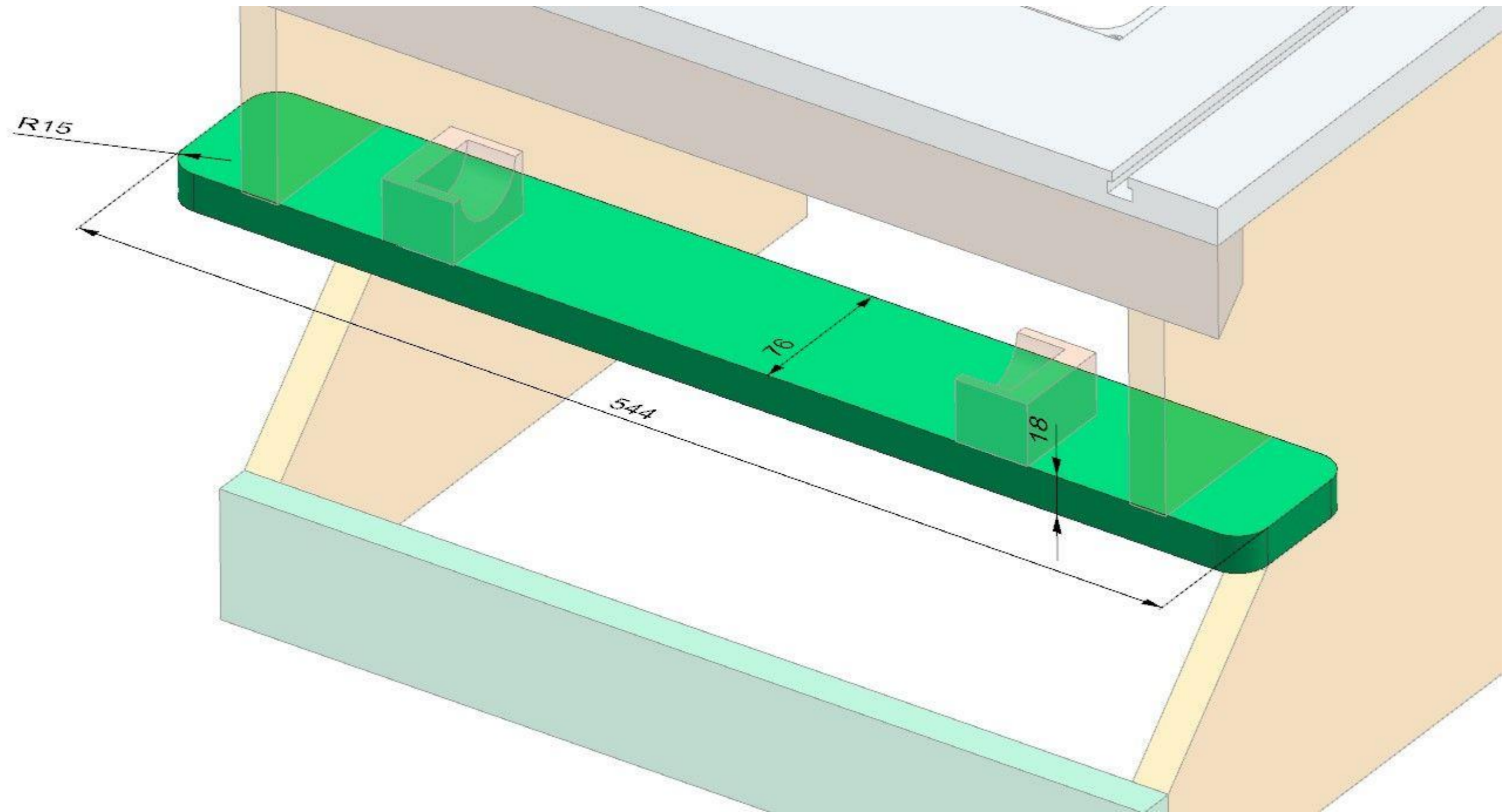


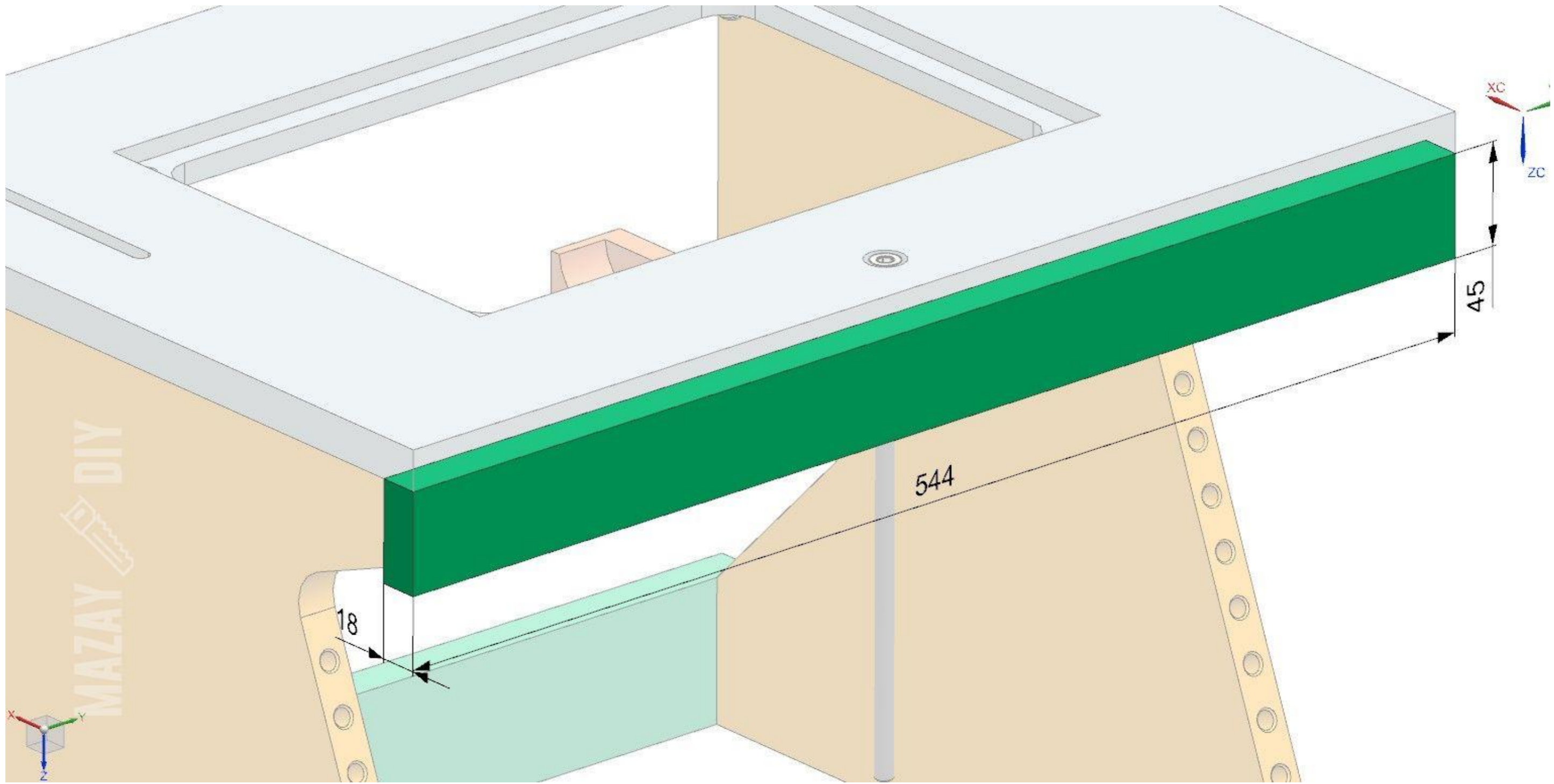


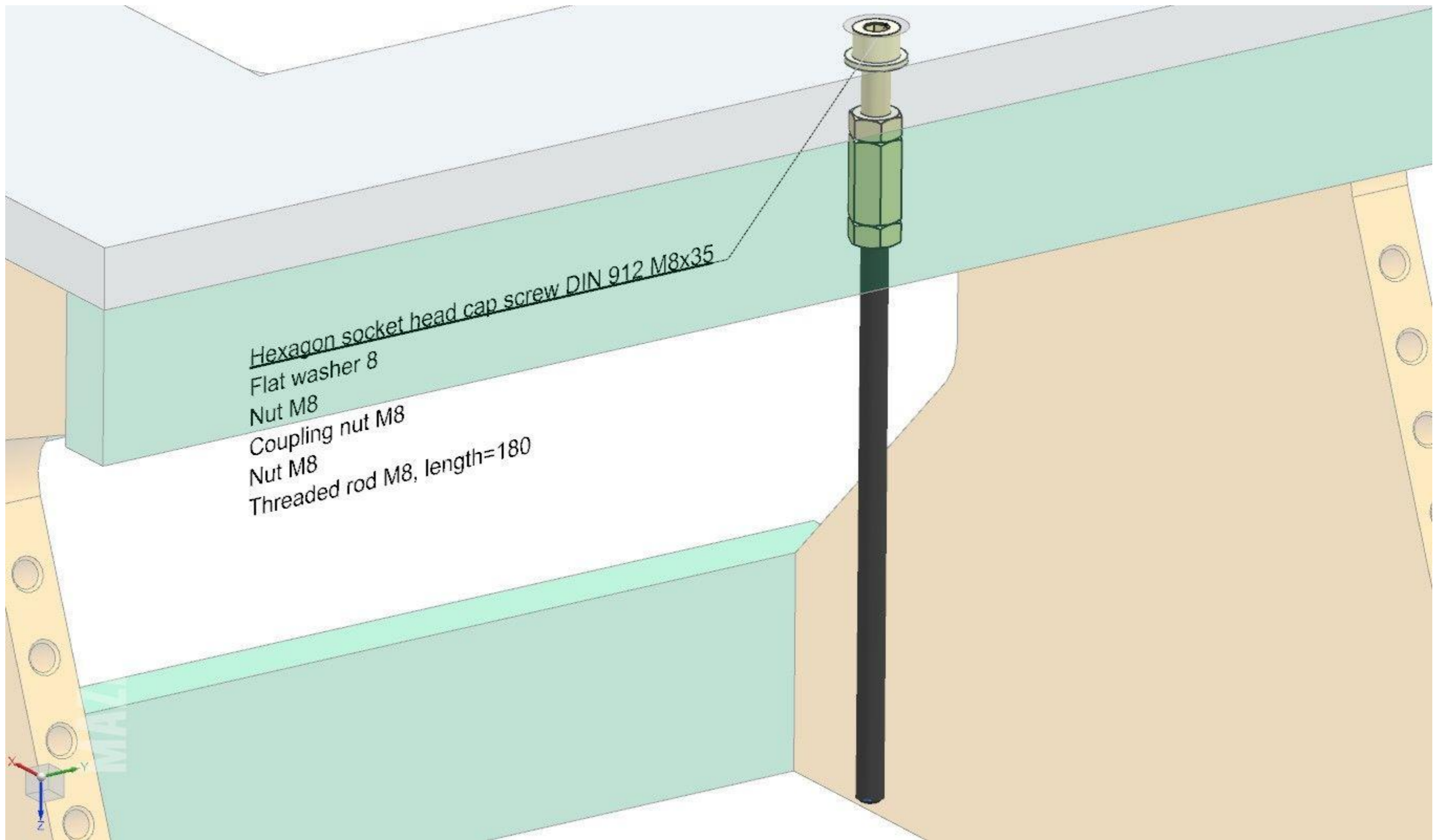


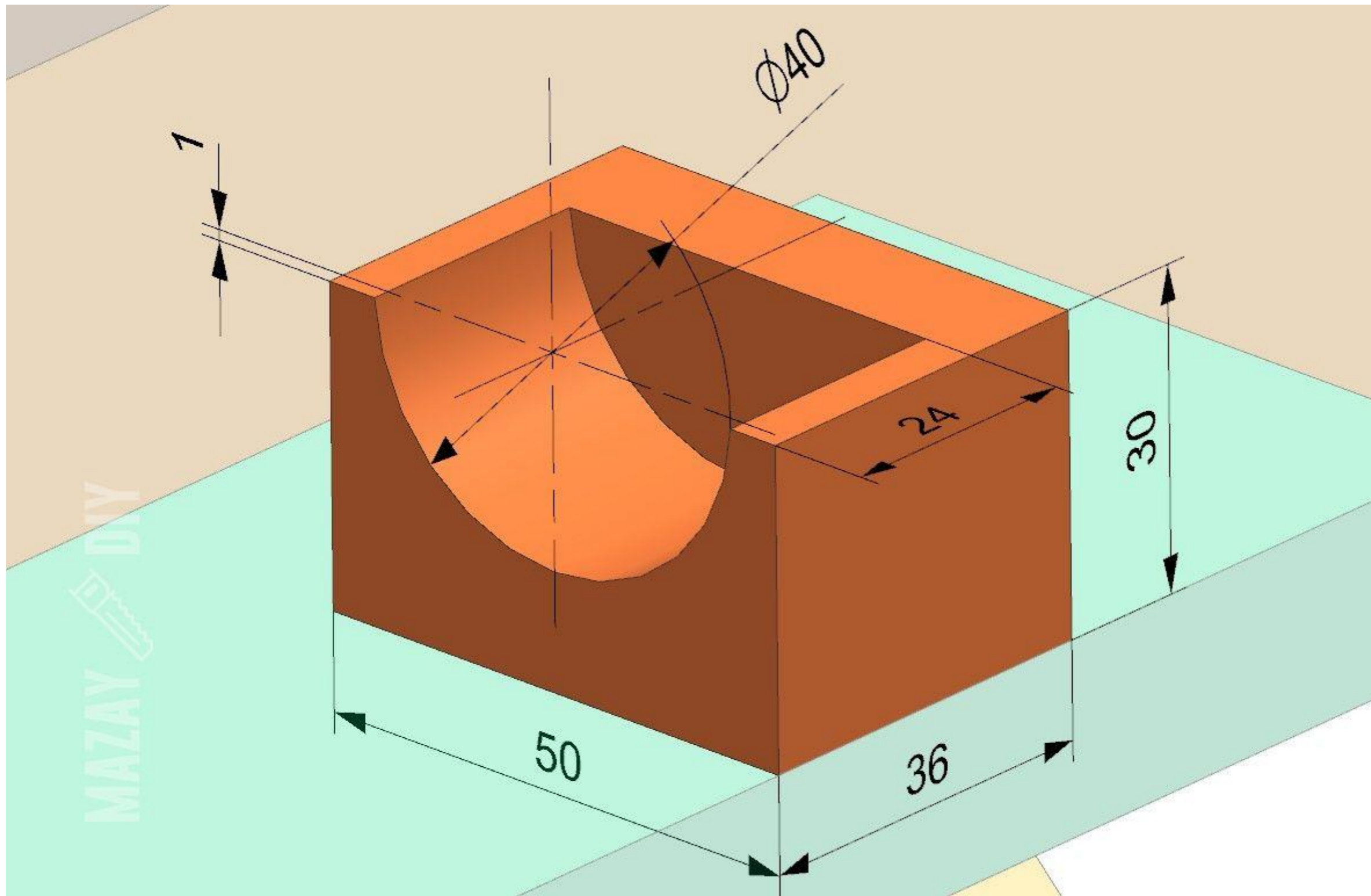


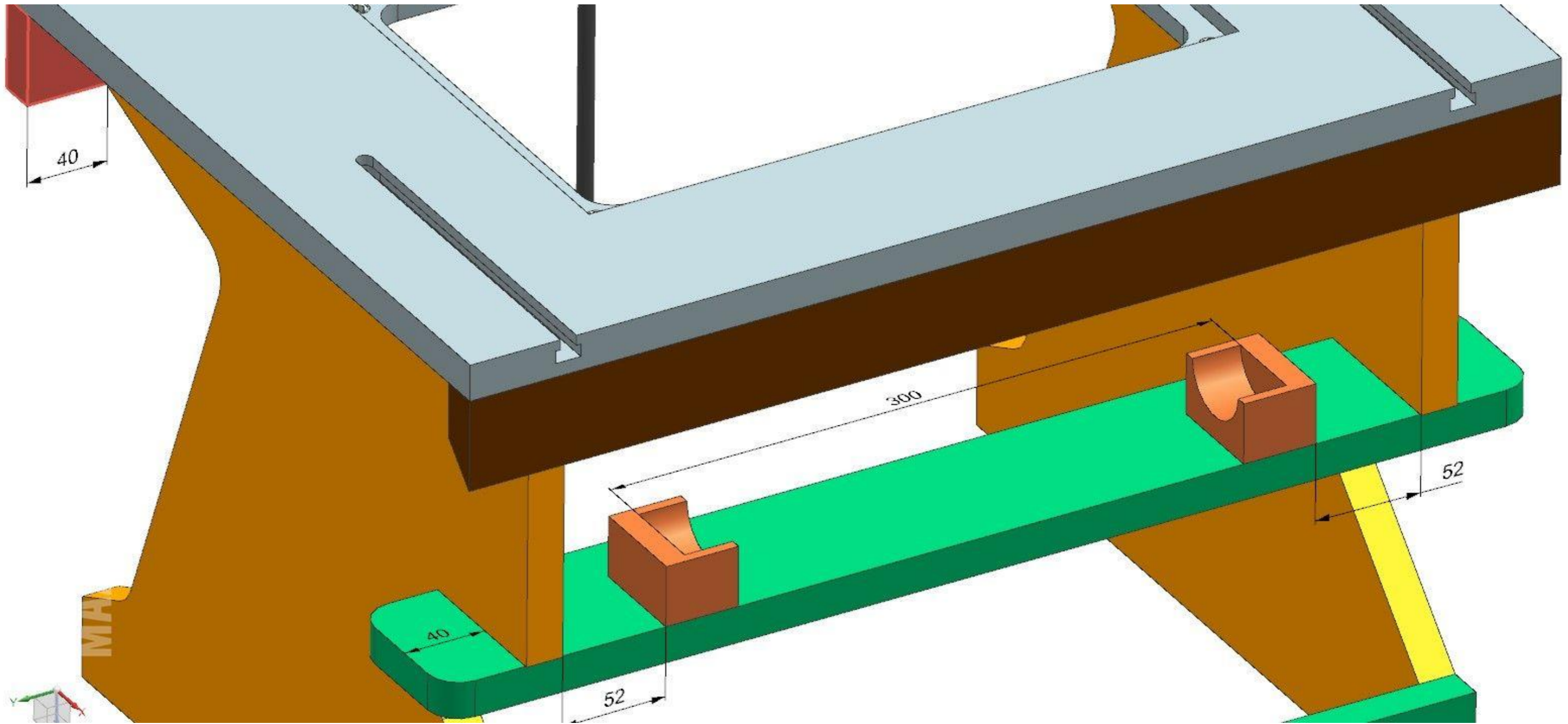


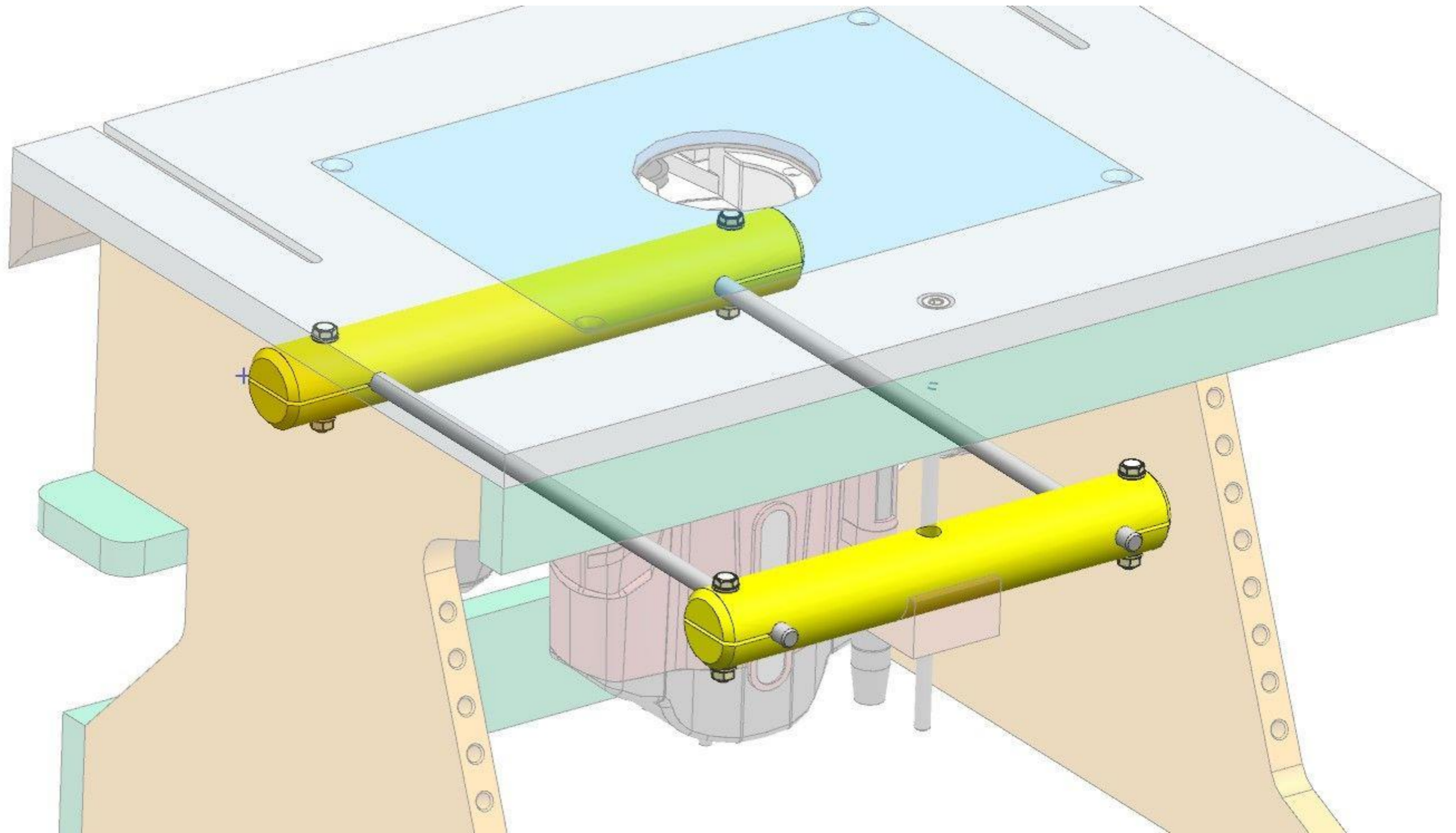


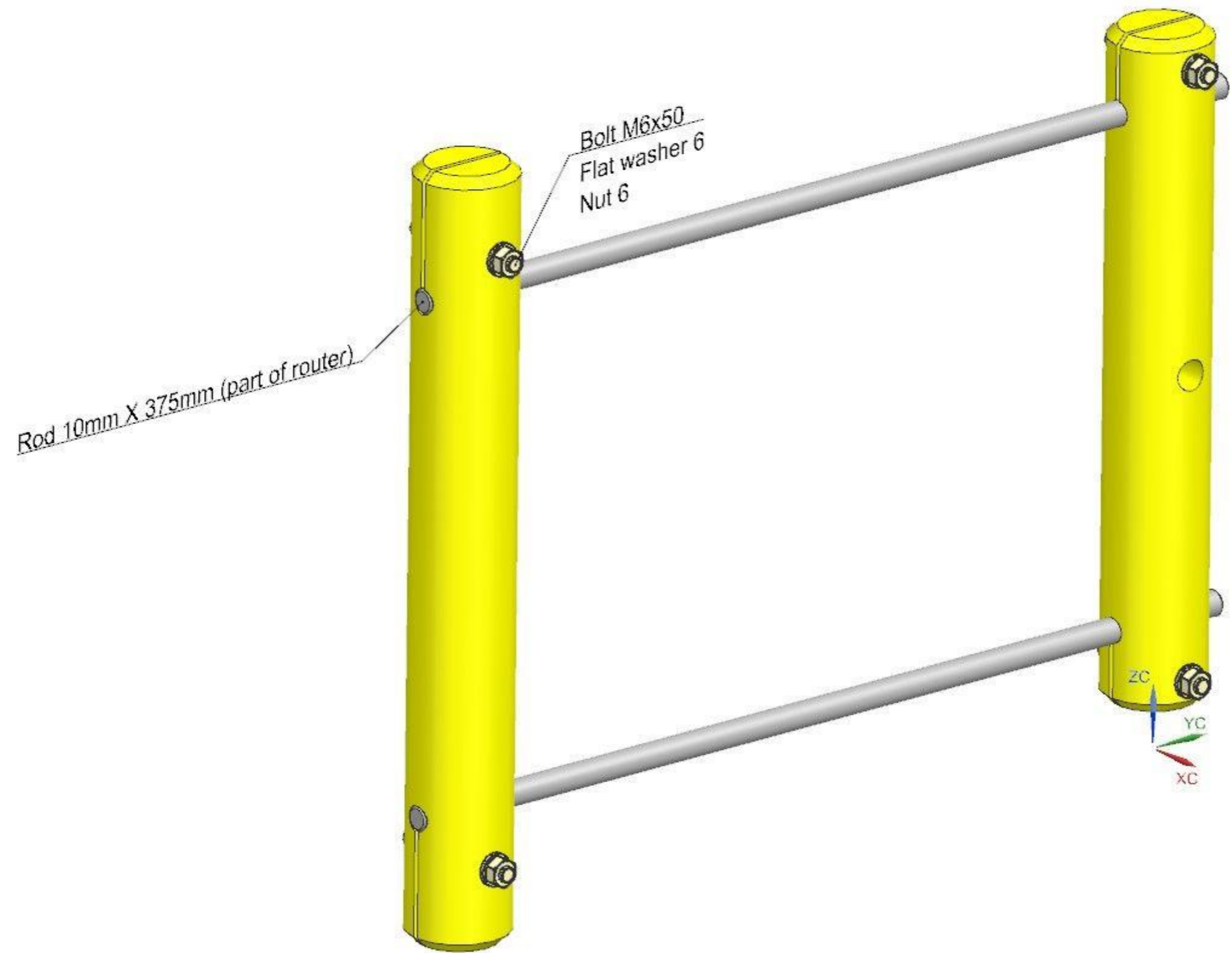


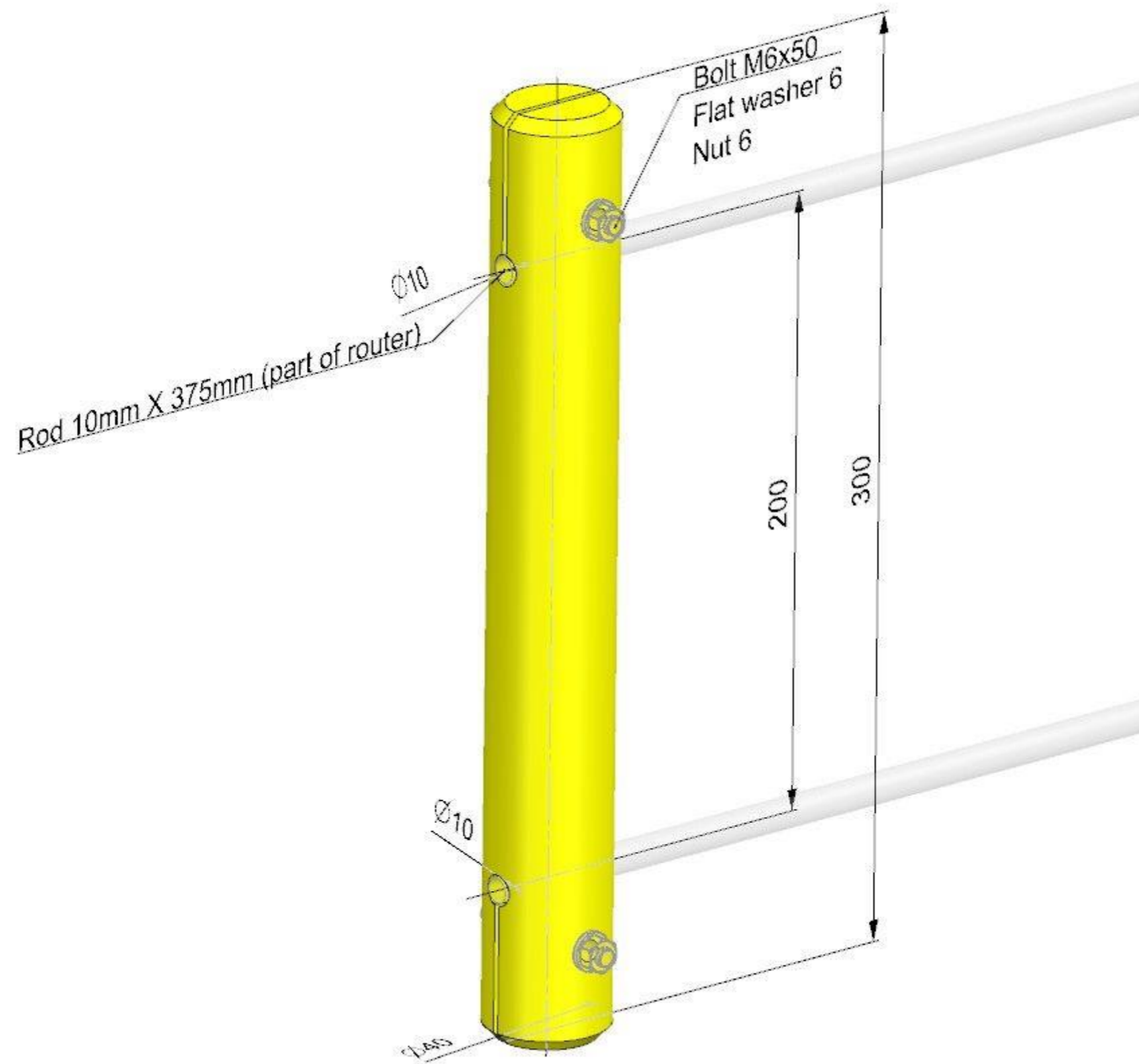


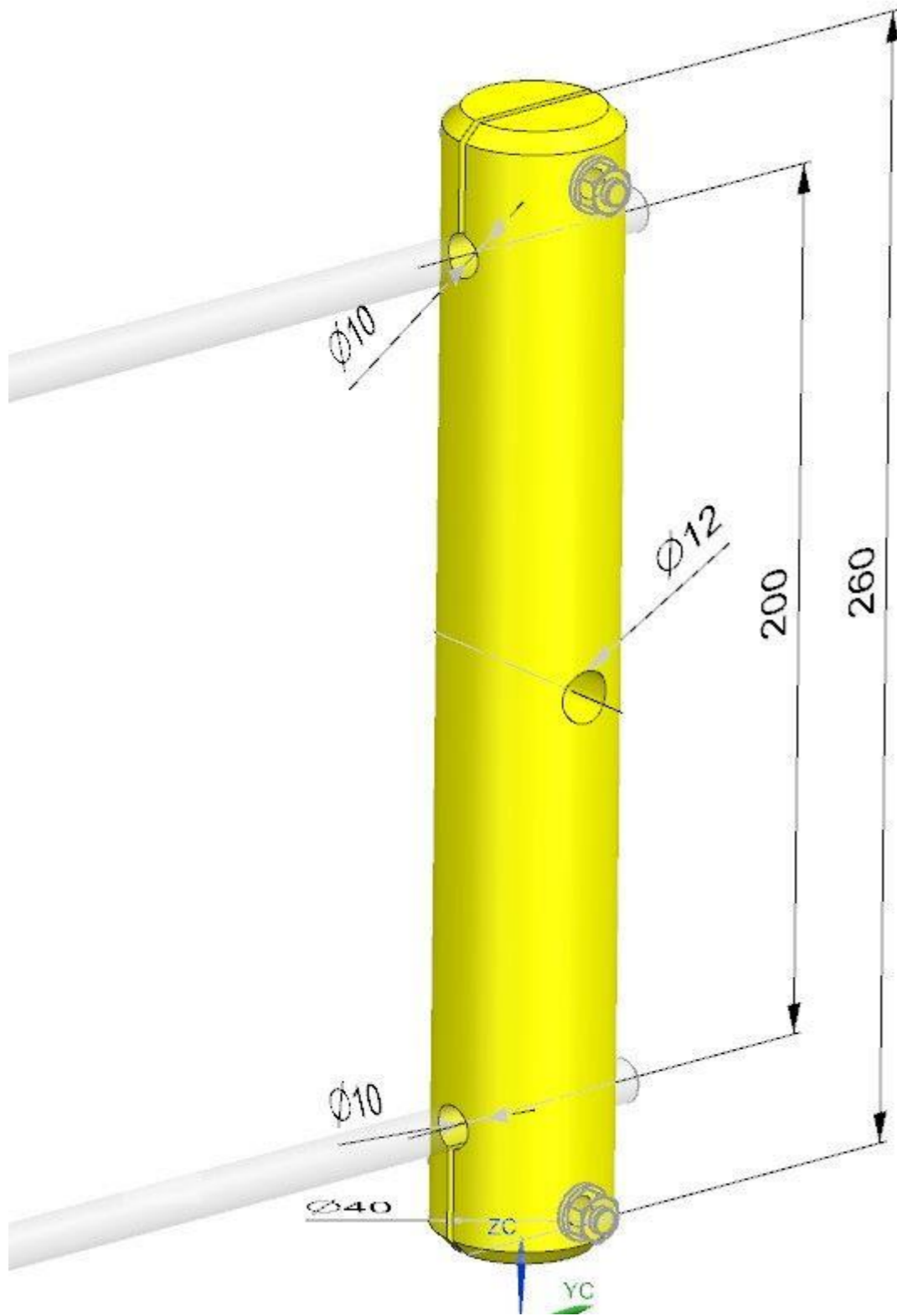


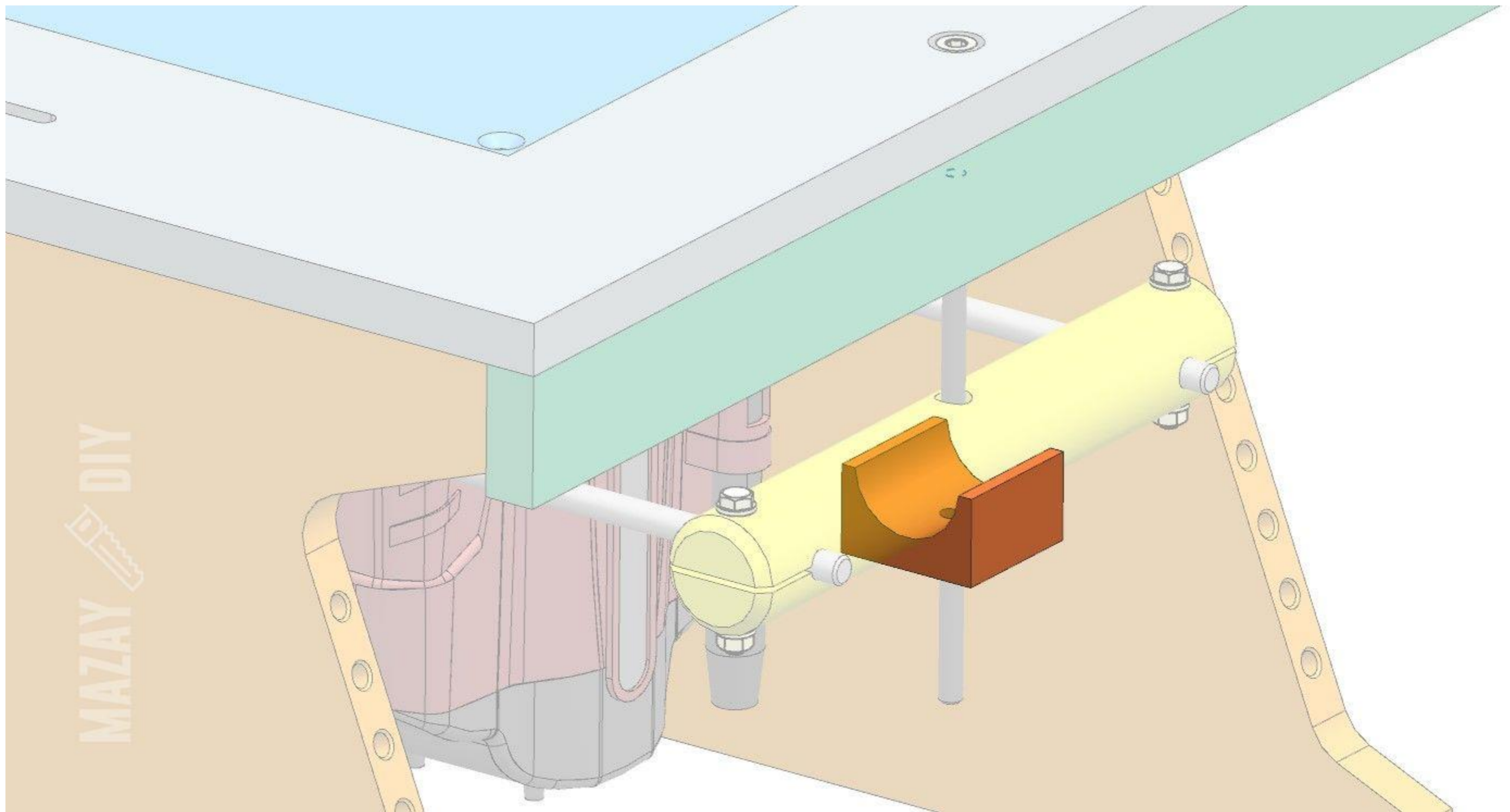


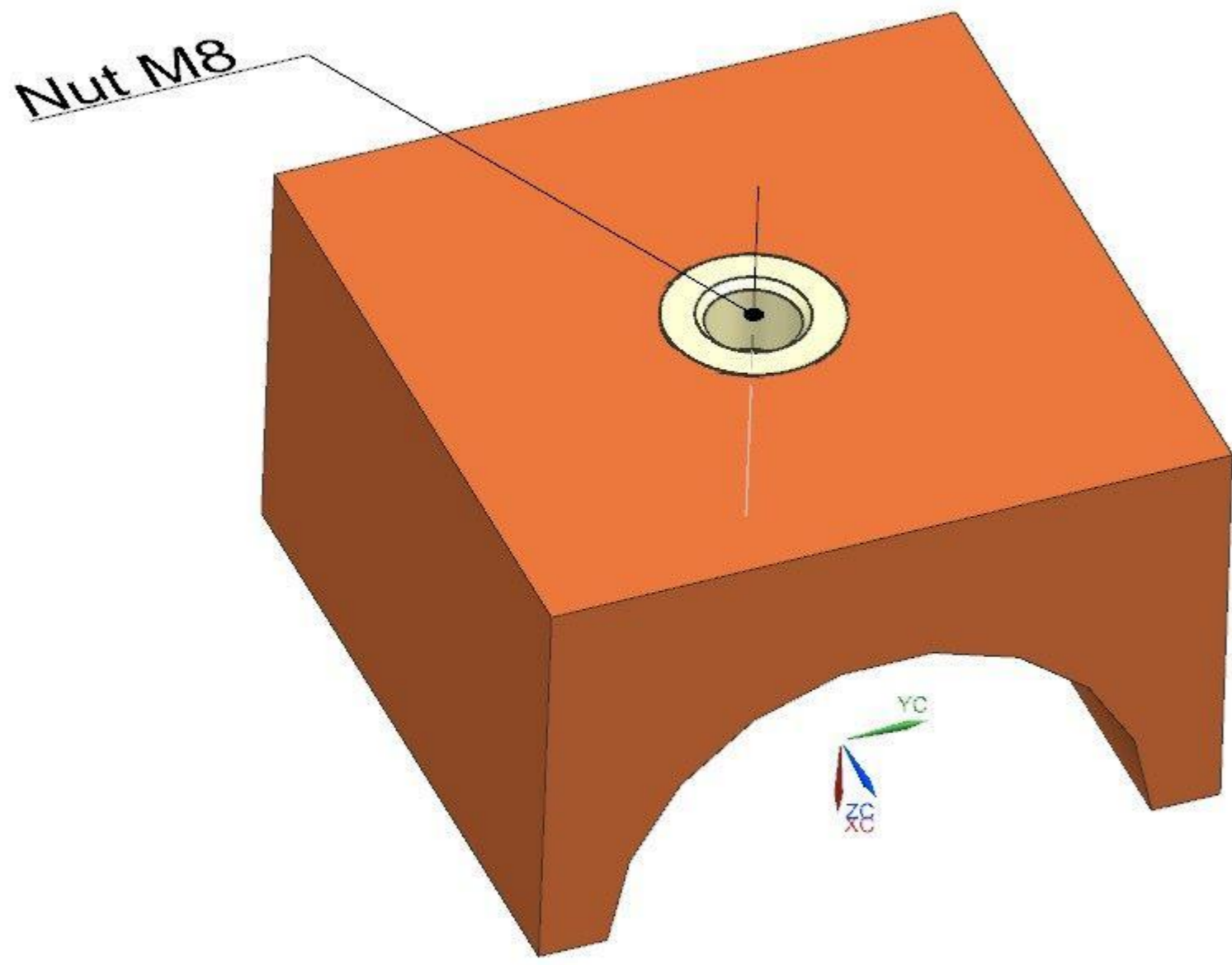


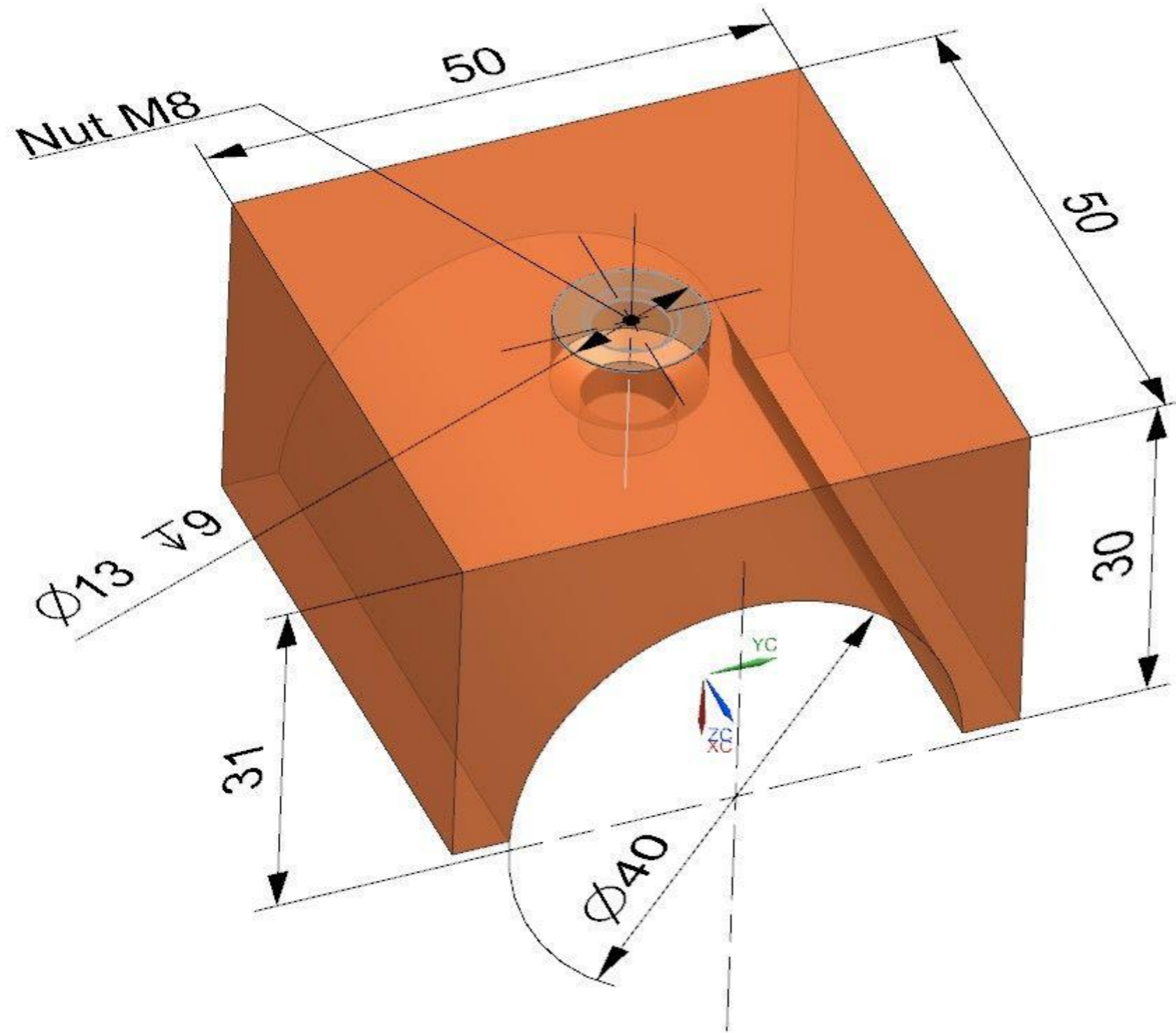


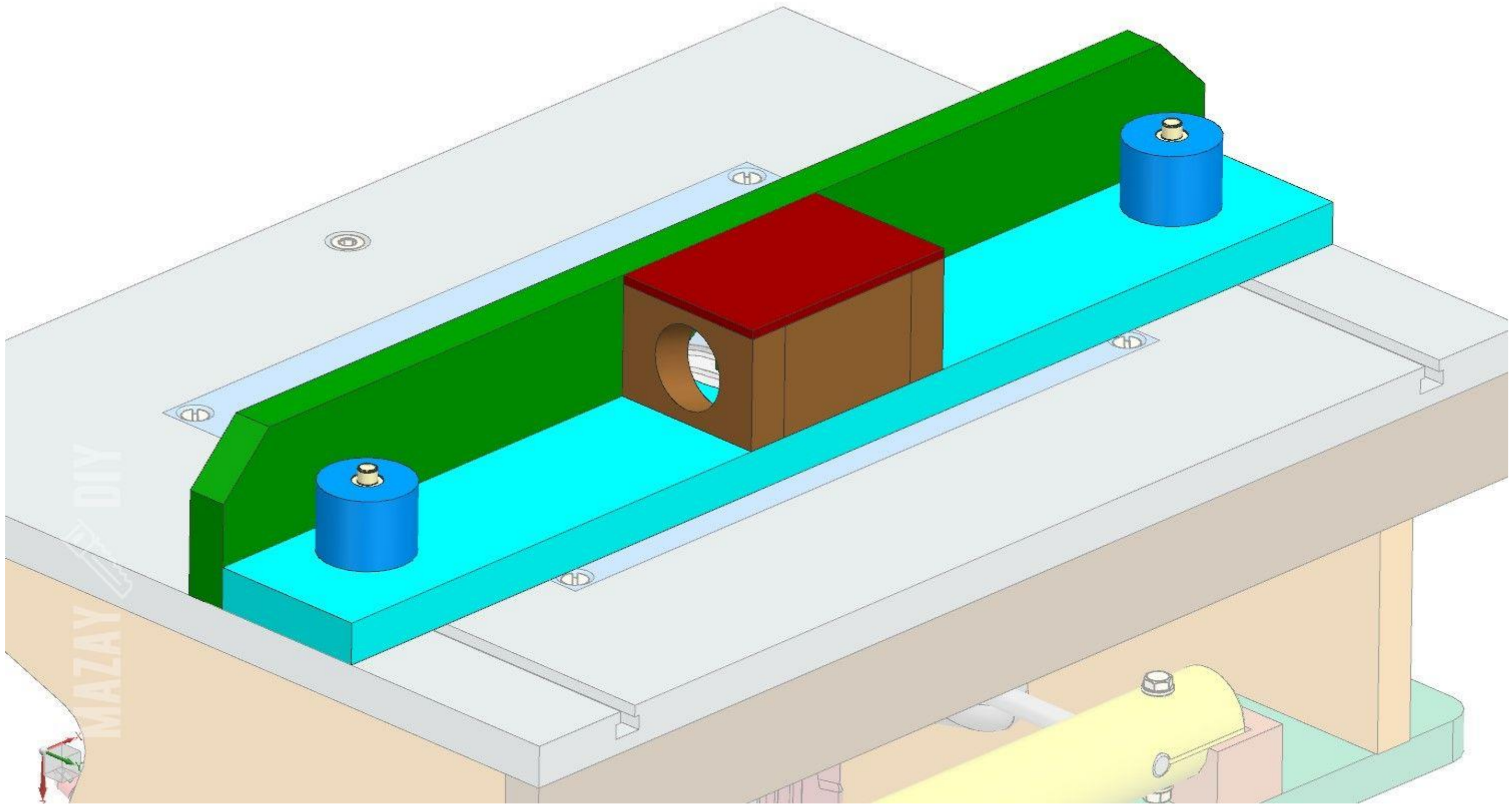


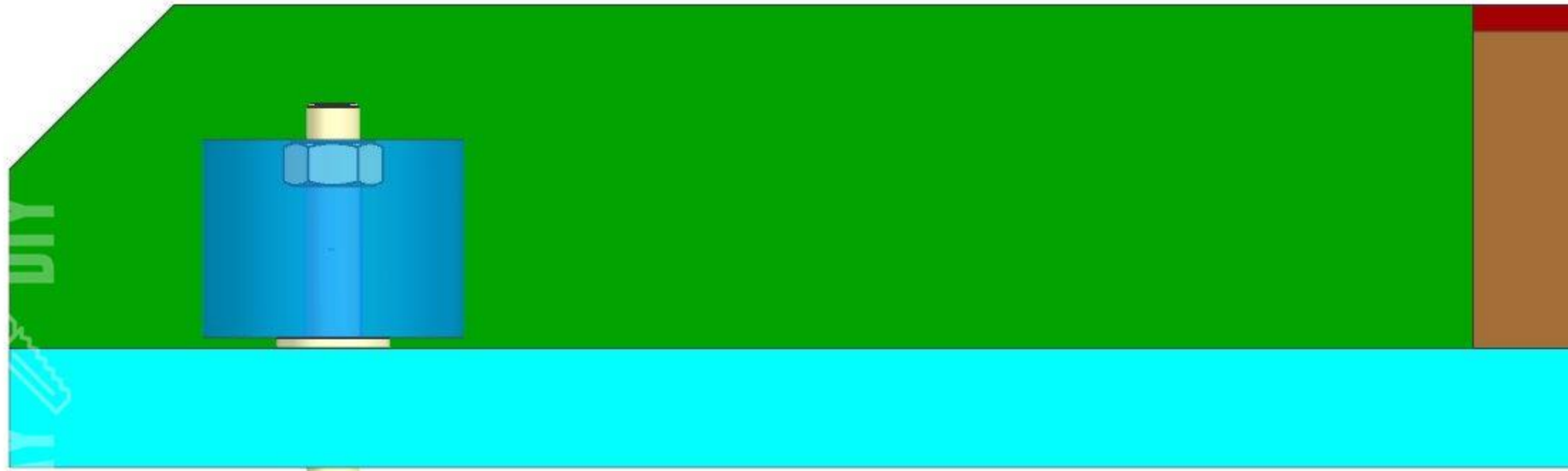




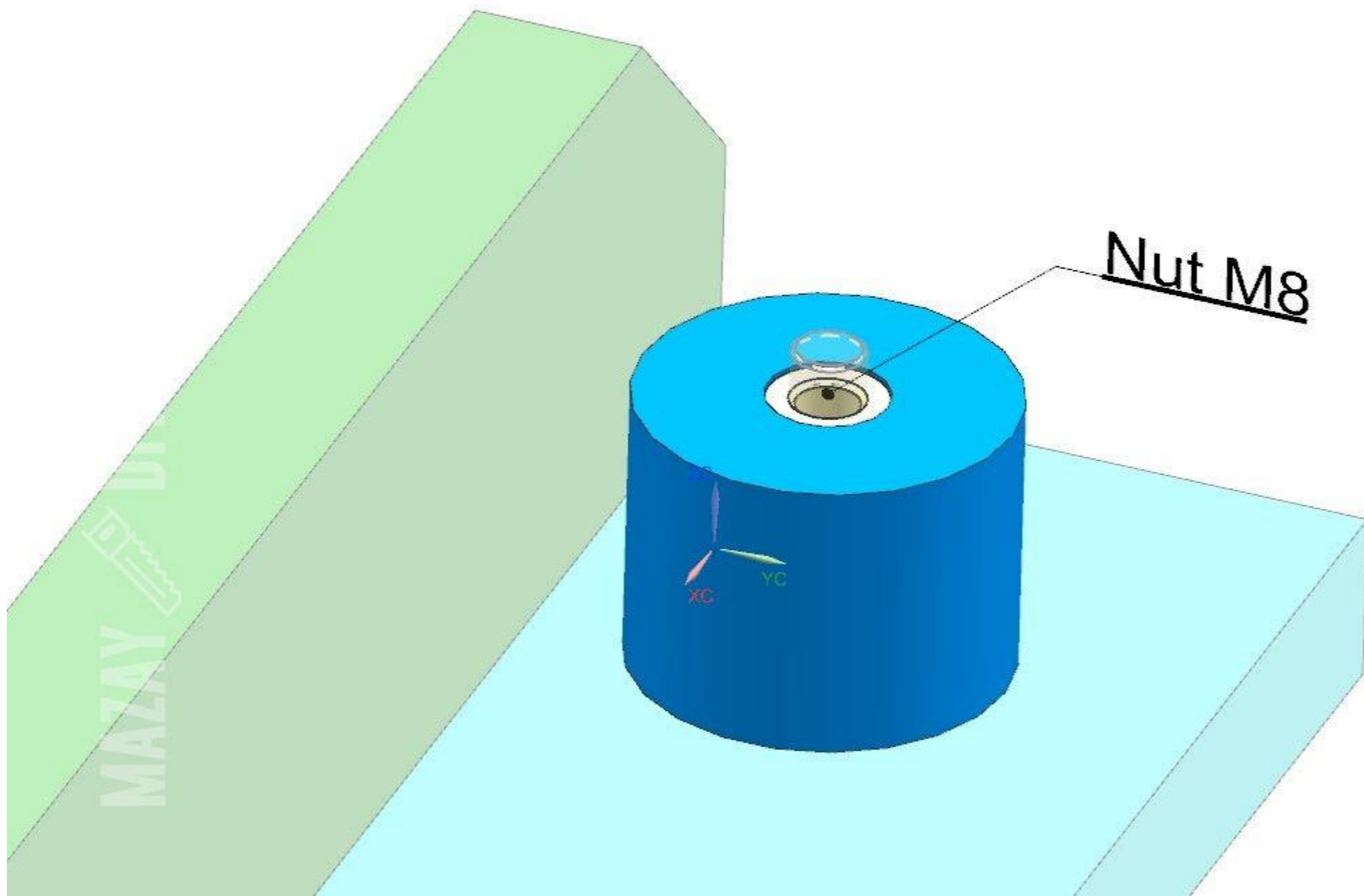


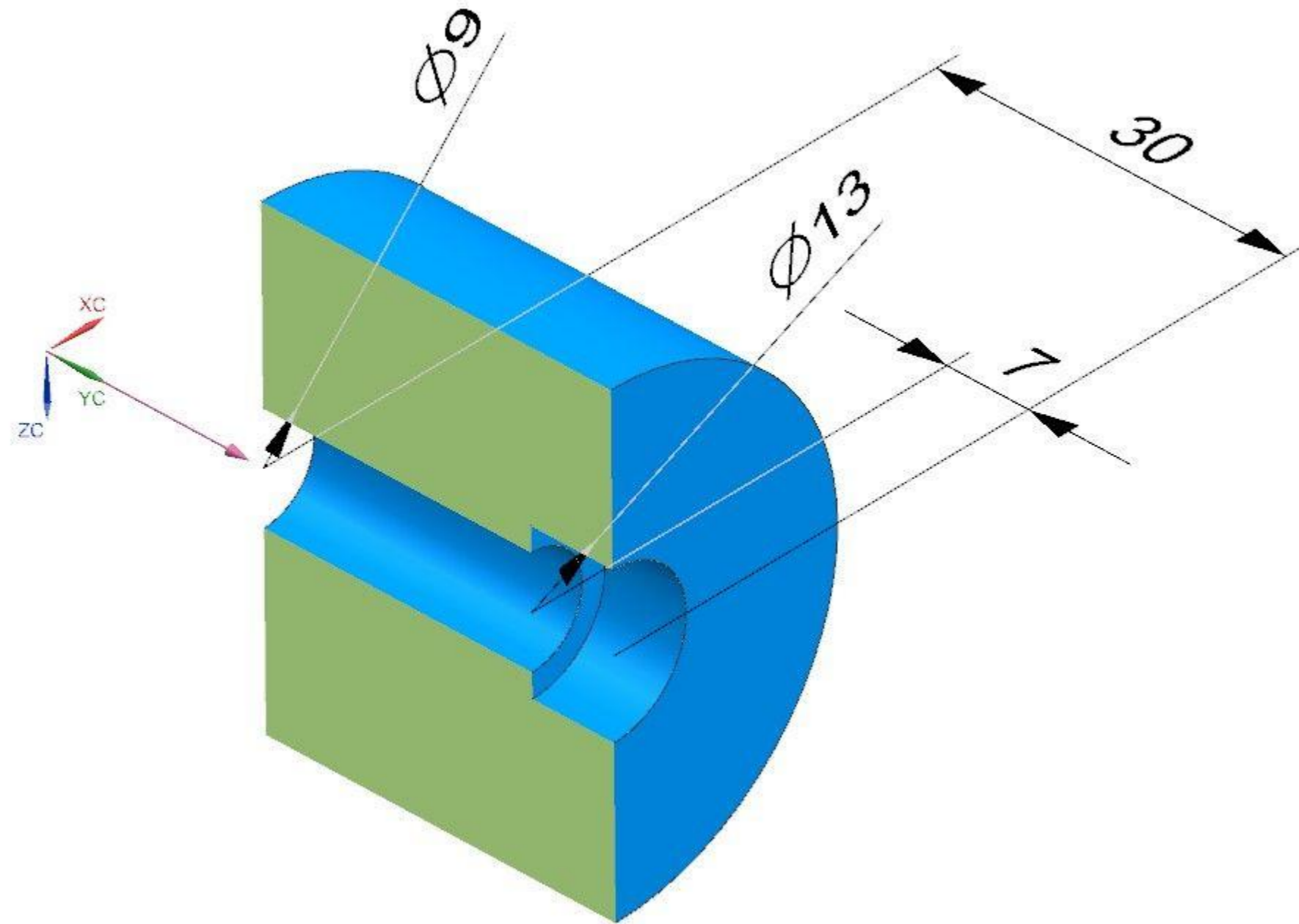


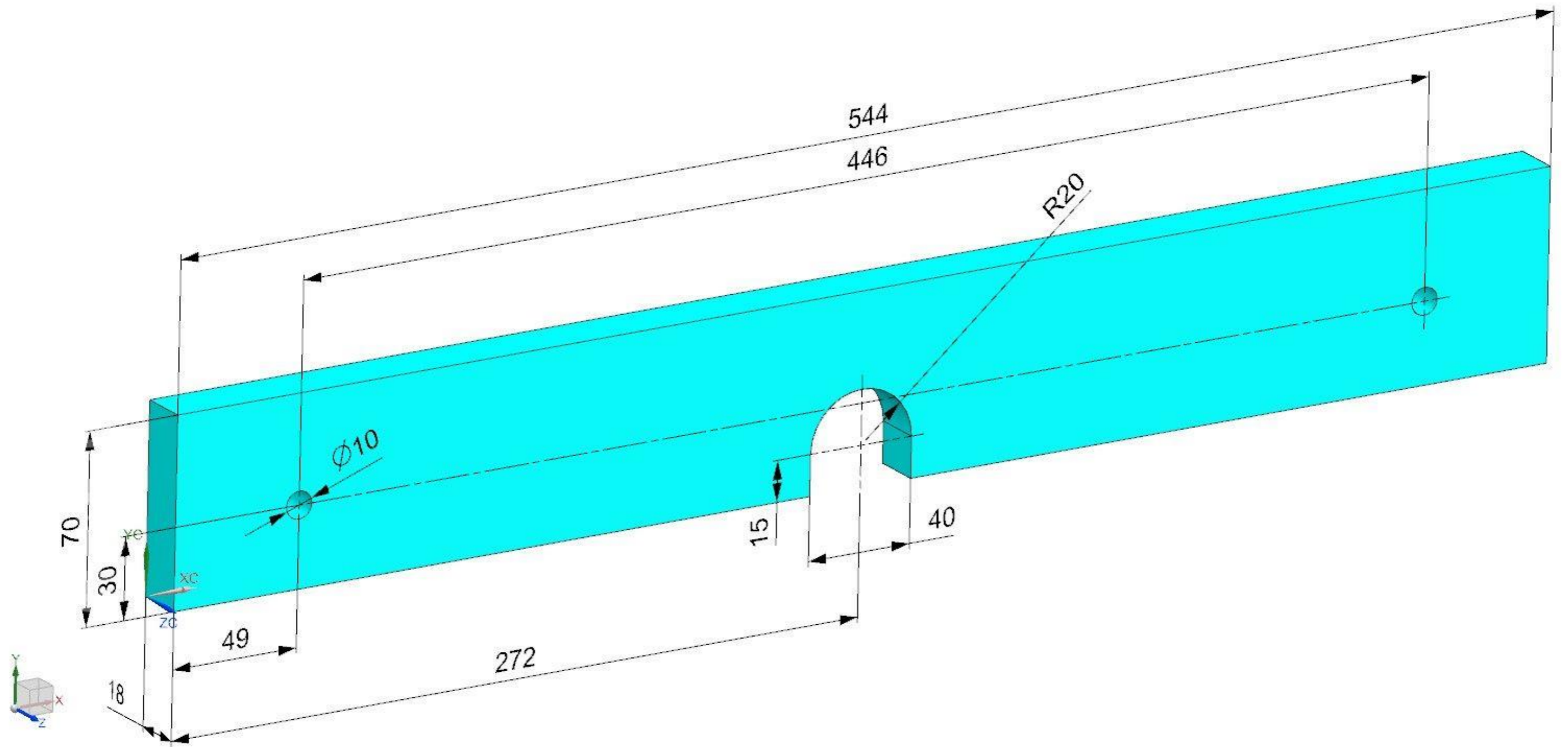


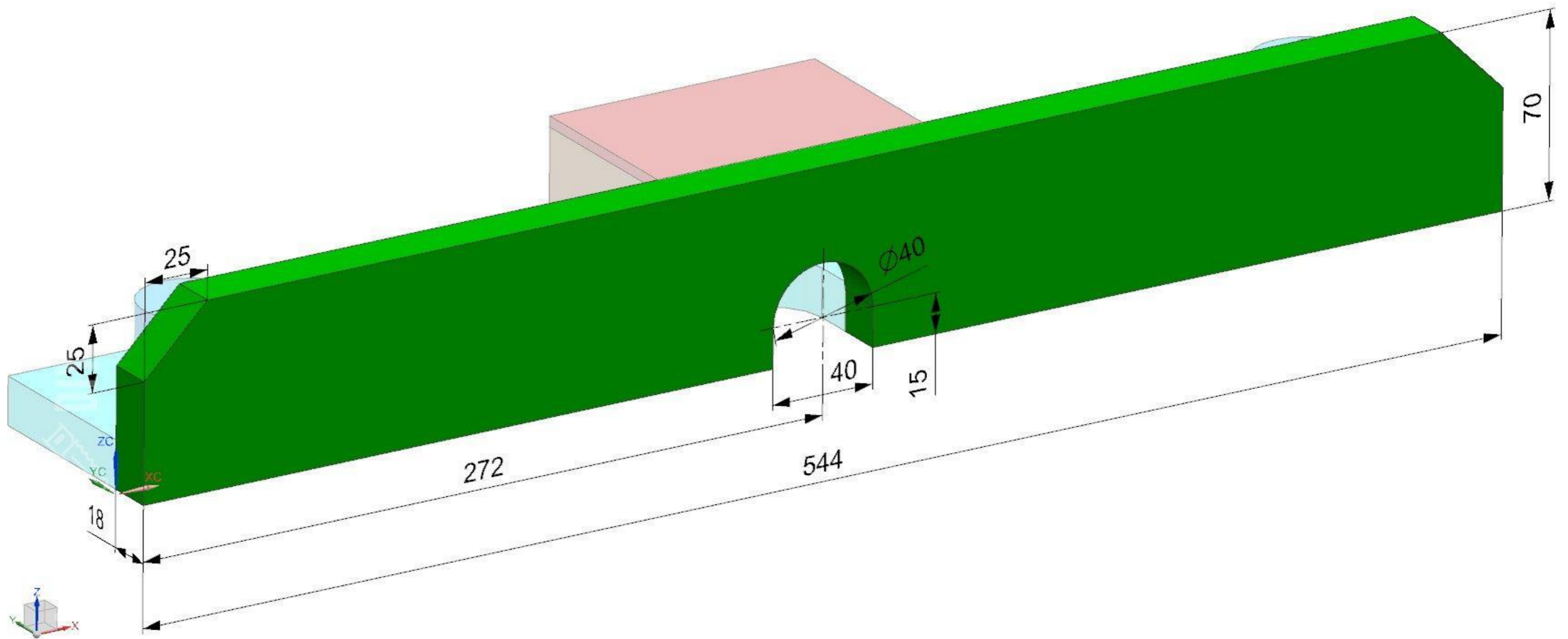


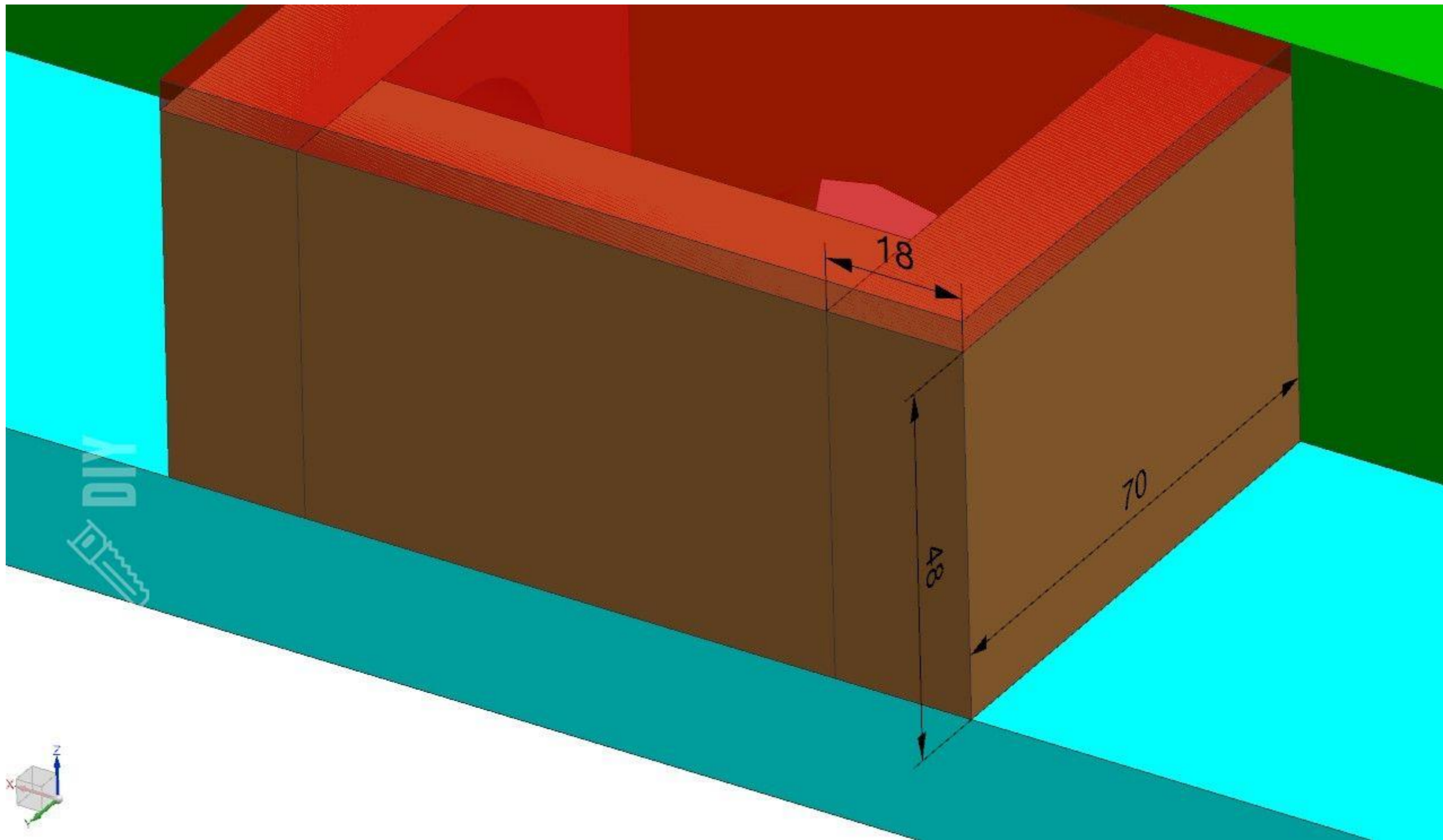
Bolt M8x60
Flat washer 8

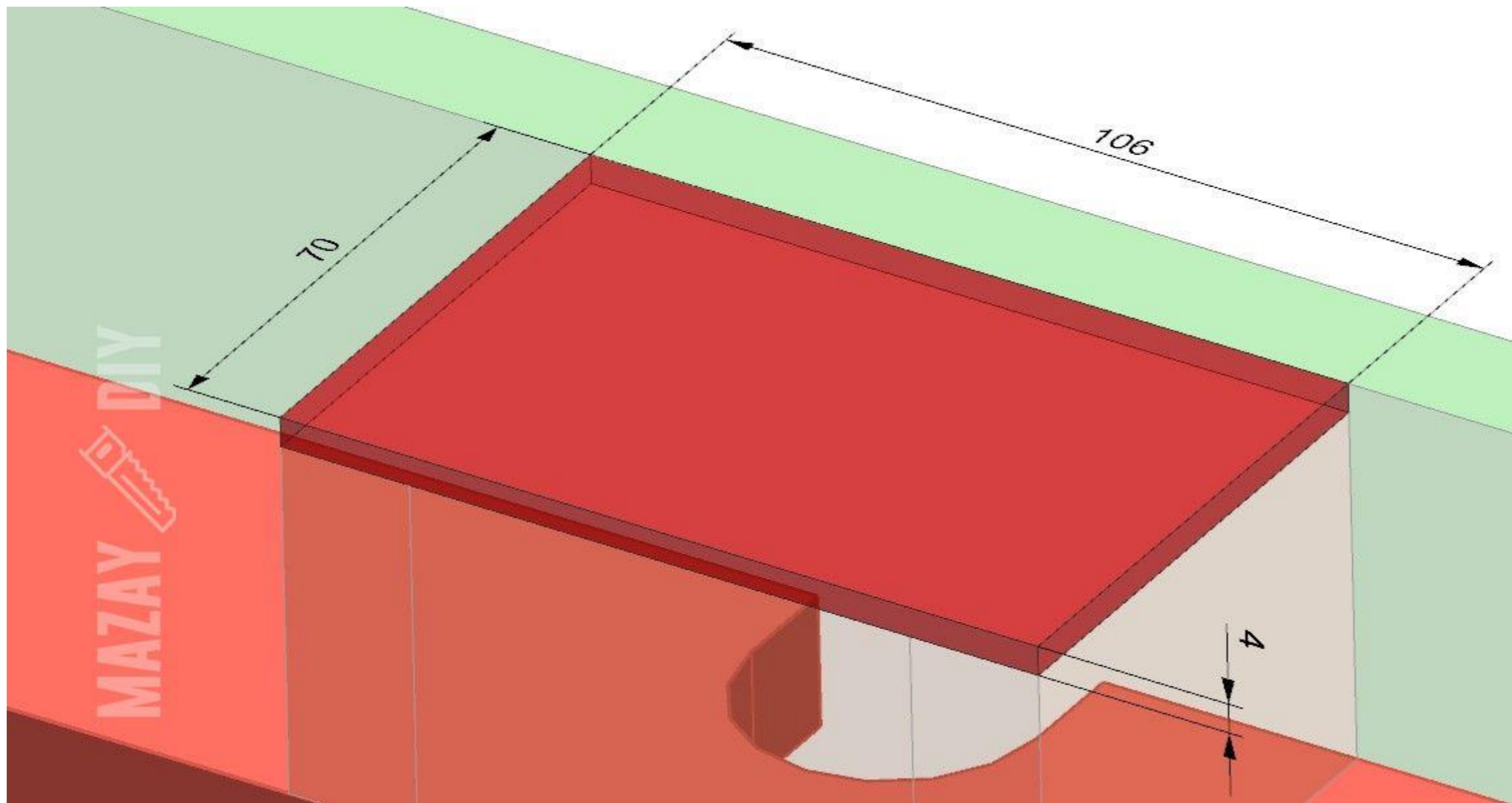


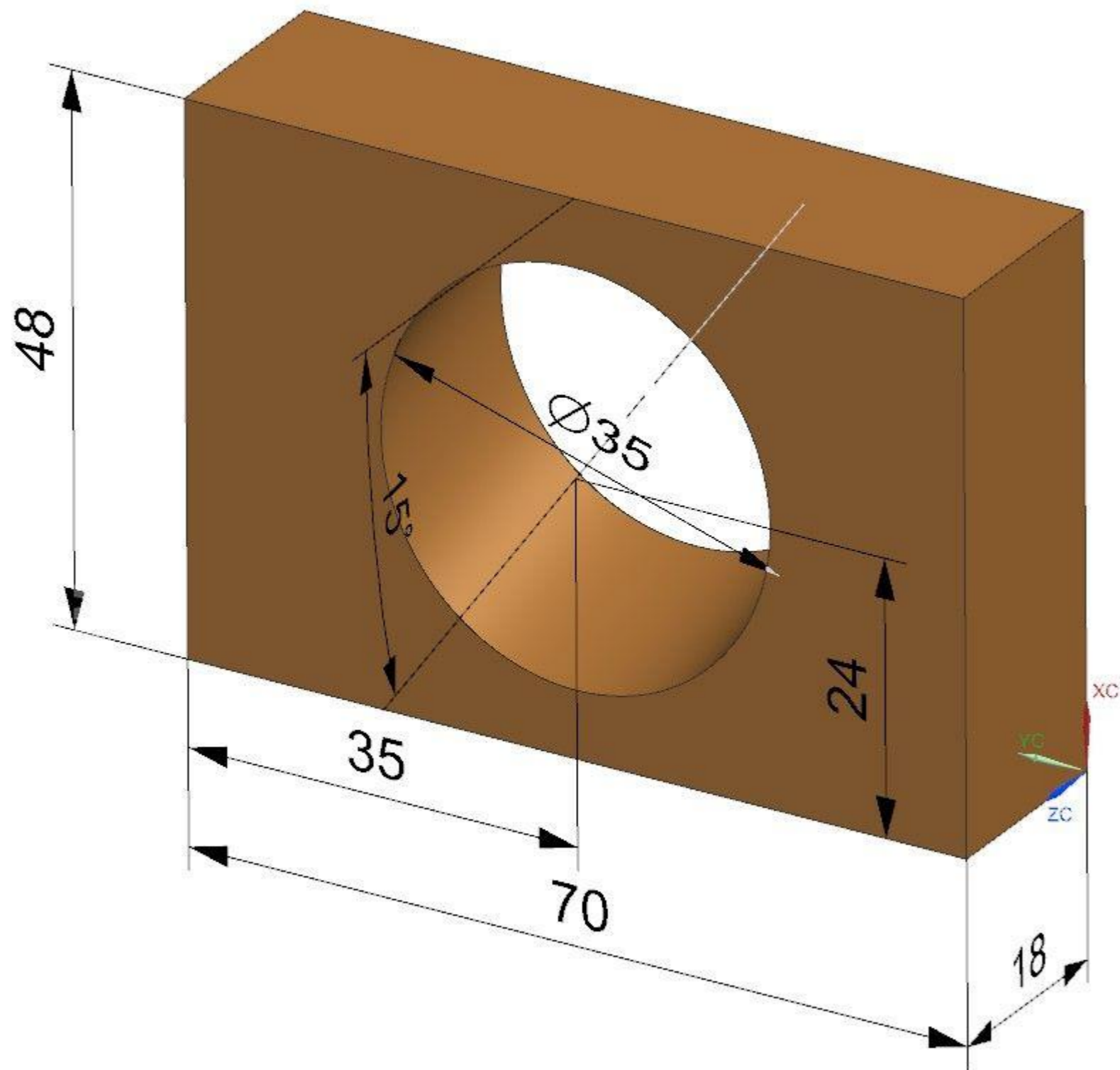


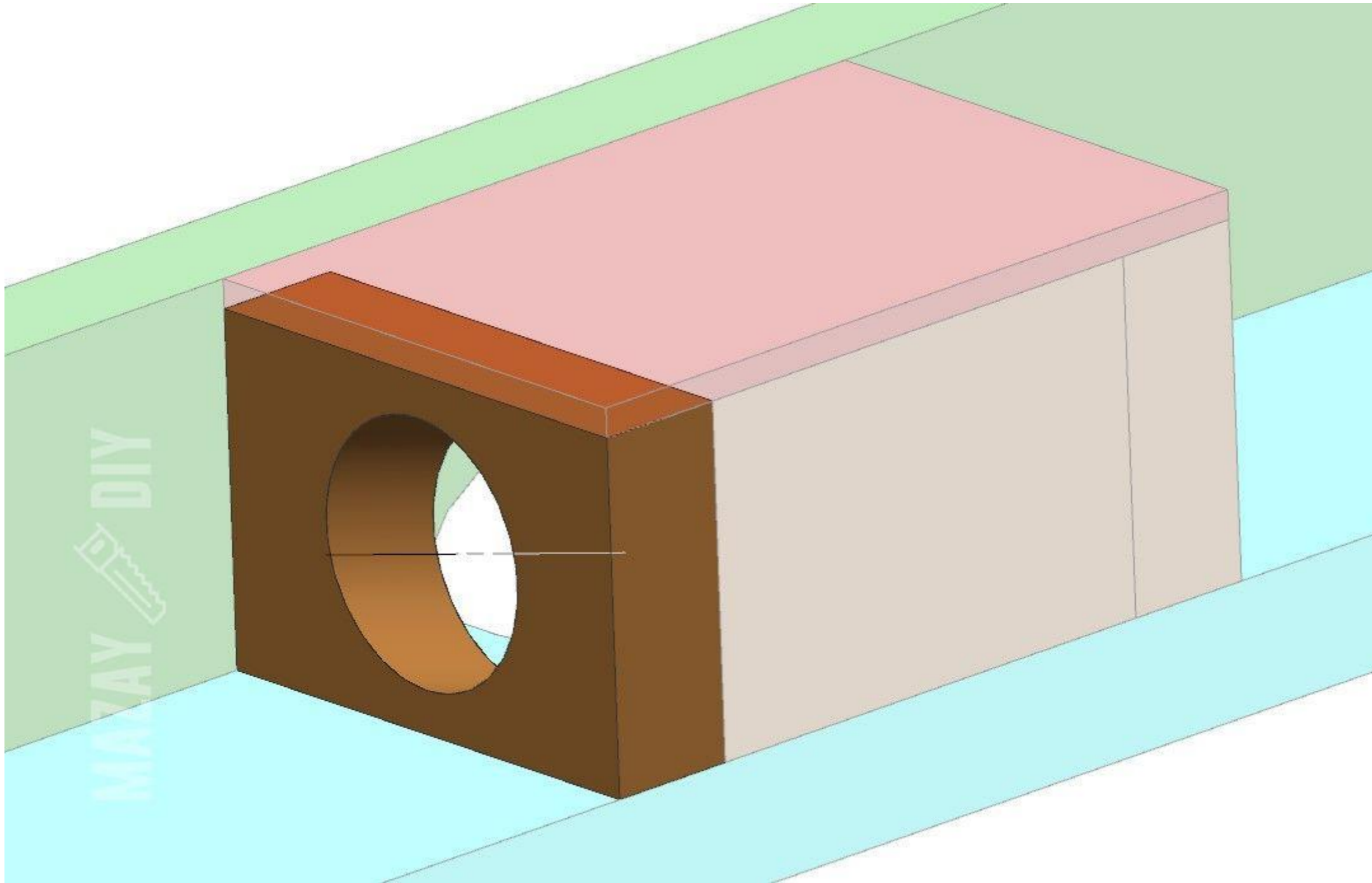


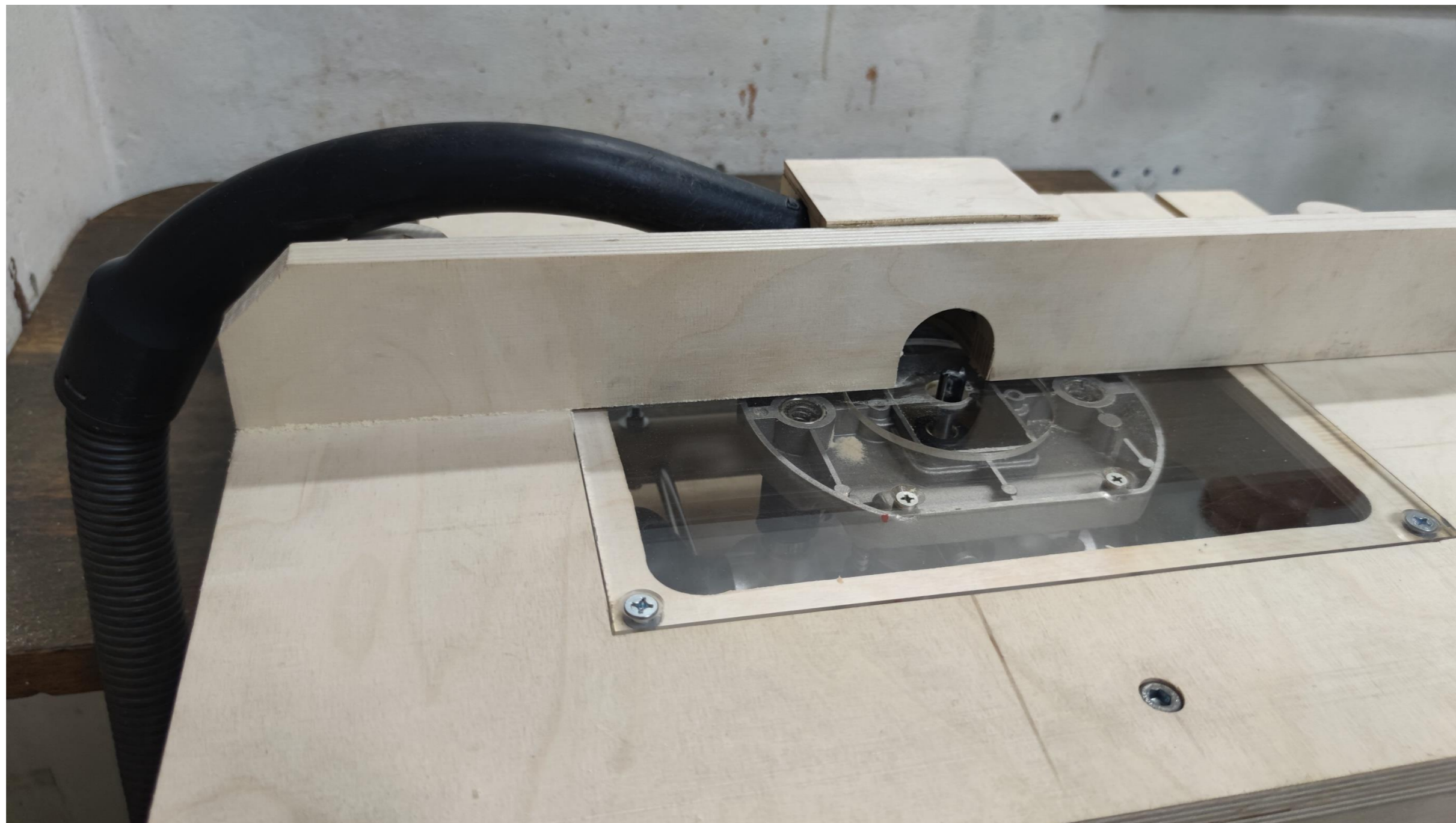












All dimensions in millimeters (mm)

Other tools and jigs:

[DIY Angle Grinder Stand](#)

[Drill bit organizer + Plans](#)

[DIY Drill Press Stand + Plans](#)

[DIY Hold down clamps + Printable templates](#)

[Mini Chainsaw Mill + Plans](#)