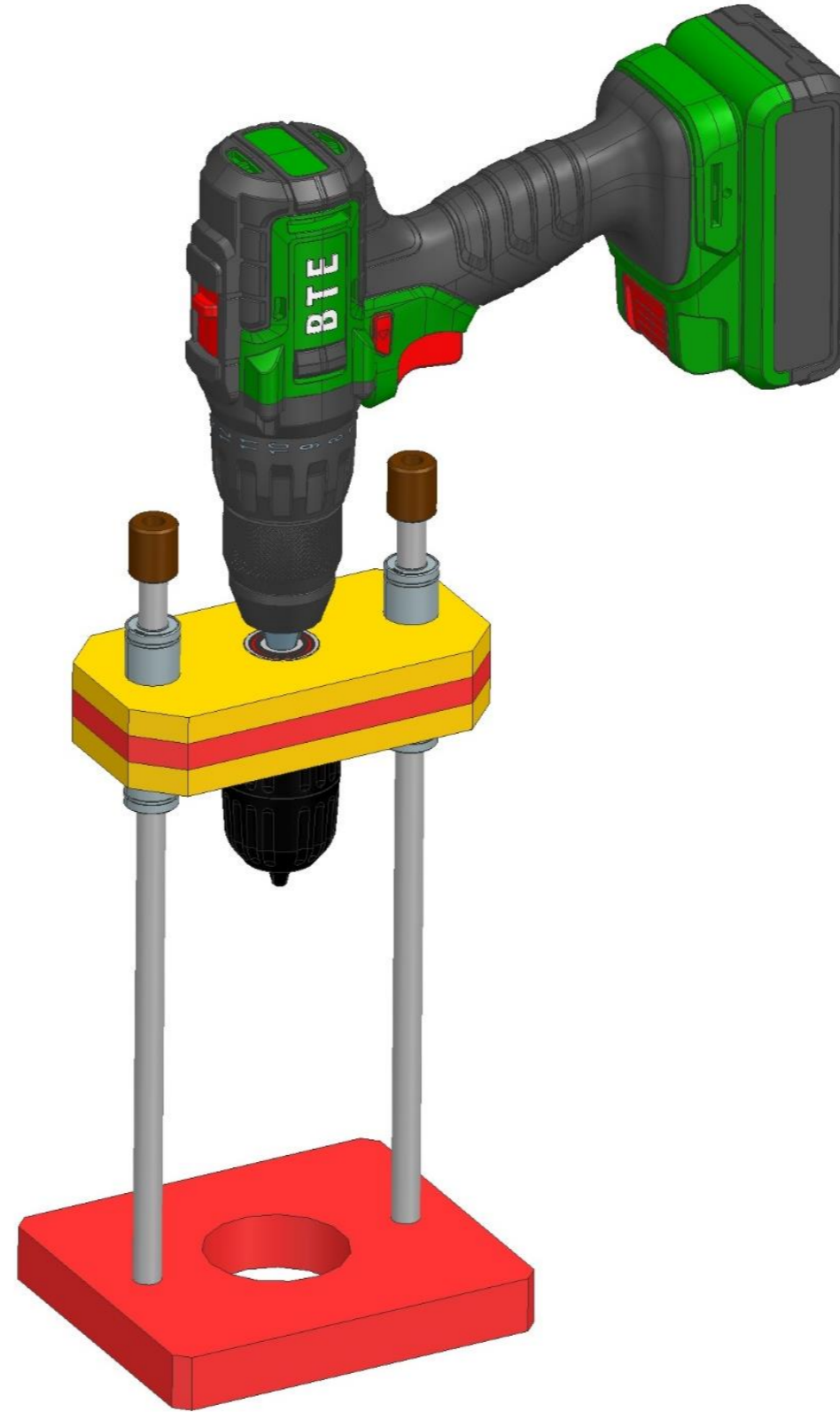
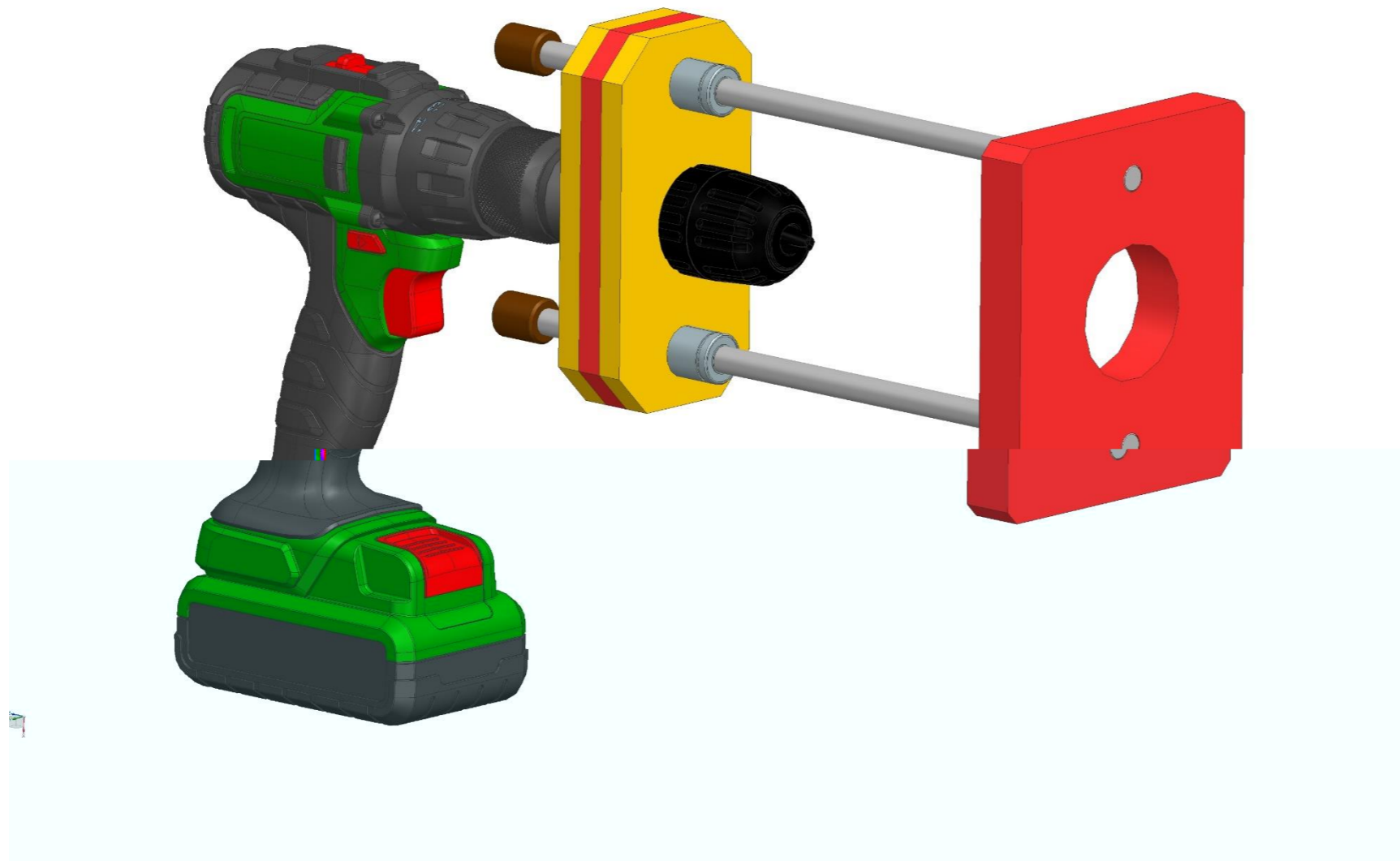


Homemade Straight Hole Drill Guide Plans



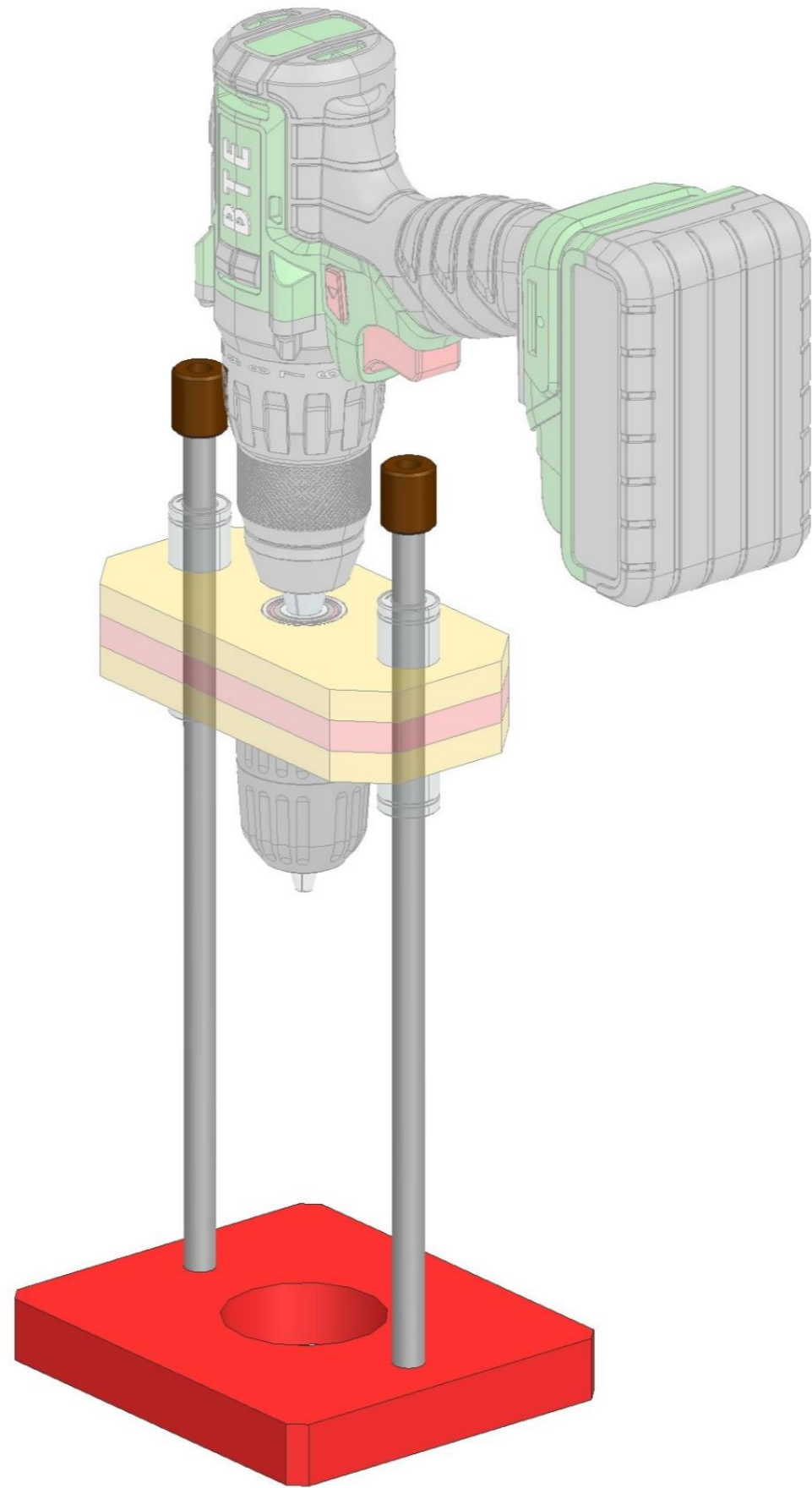


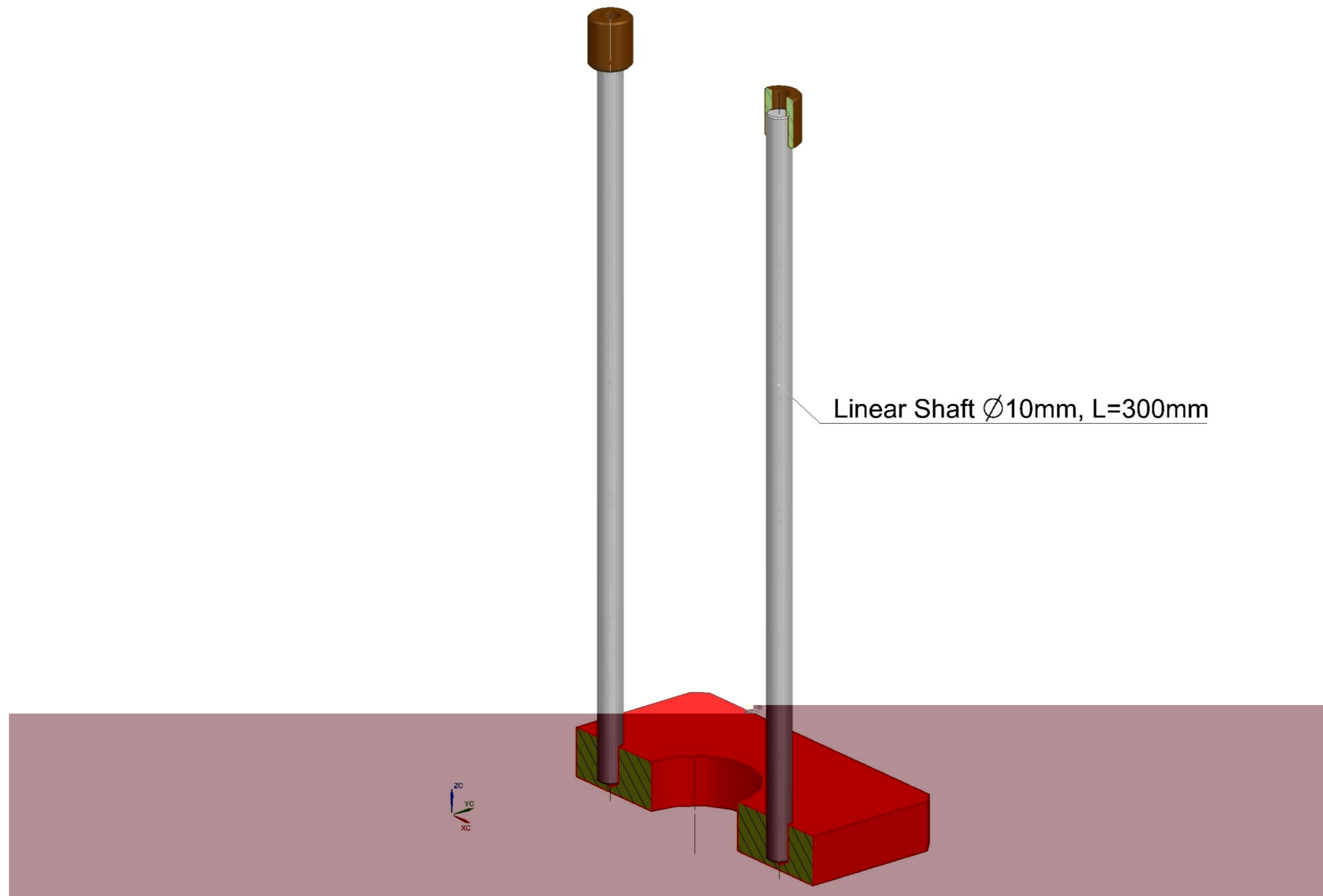
Materials:

1. [Linear Motion Rods 10 mm, L=300 mm](#) x 2
2. [Linear Ball Bearing 10mm](#) x 4
3. [Bearing 6000 ZZ](#) x 2
4. [1/2-20UNF Drill chuck](#)
5. [Core Drill Bit Adapter with SDS Plus Shank](#)
6. Plywood 10 mm
7. Plywood 20 mm [Plywood 18 mm](#)
8. Wood

To make it I used:

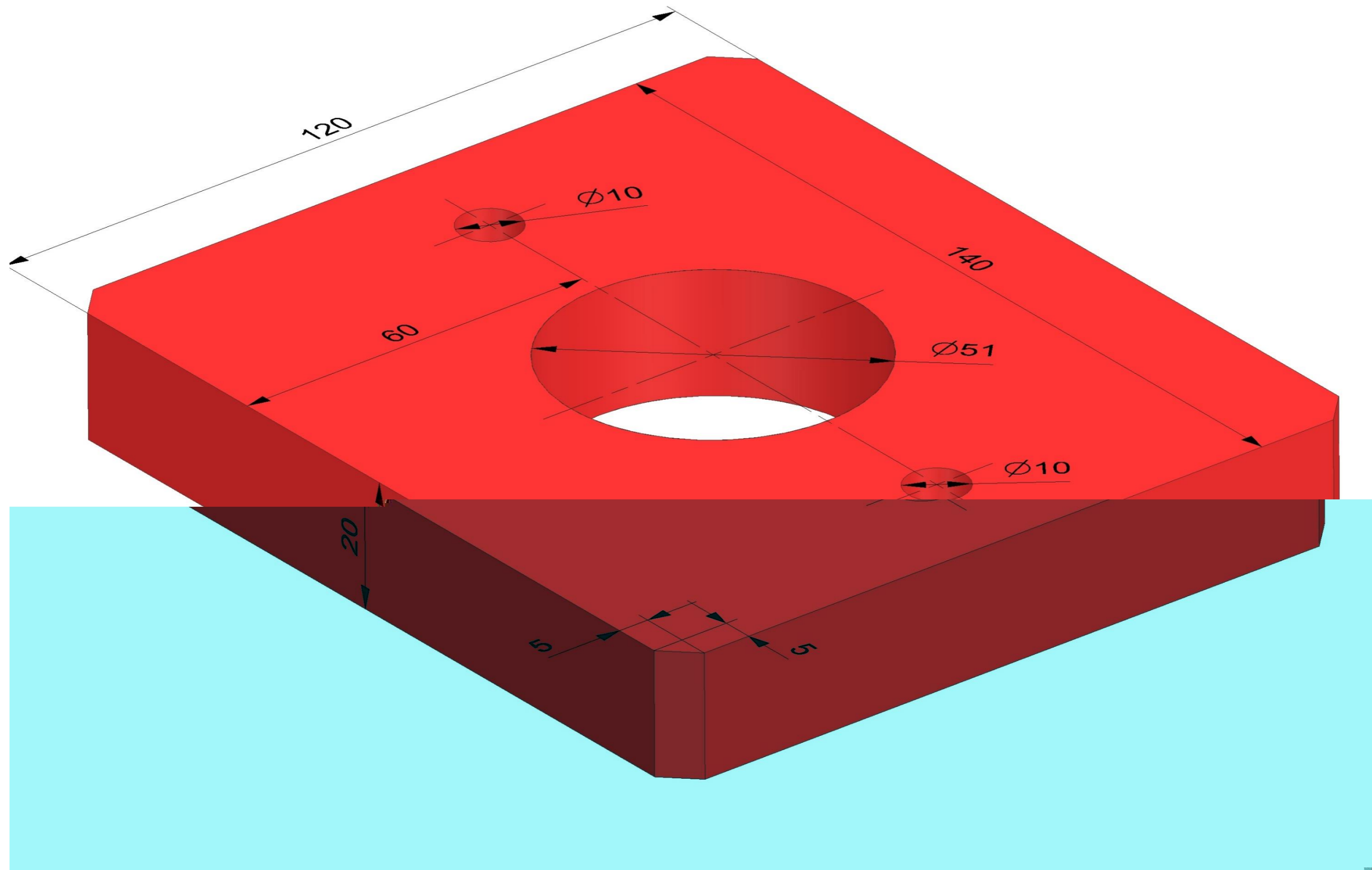
- [DIY Table saw](#)
- [Table saw fence](#)
- [Table saw crosscut sled](#)
- [Ruler Marking Gauge](#)
- [Drill press vise](#)
- [F Type Woodworking Clamp](#)

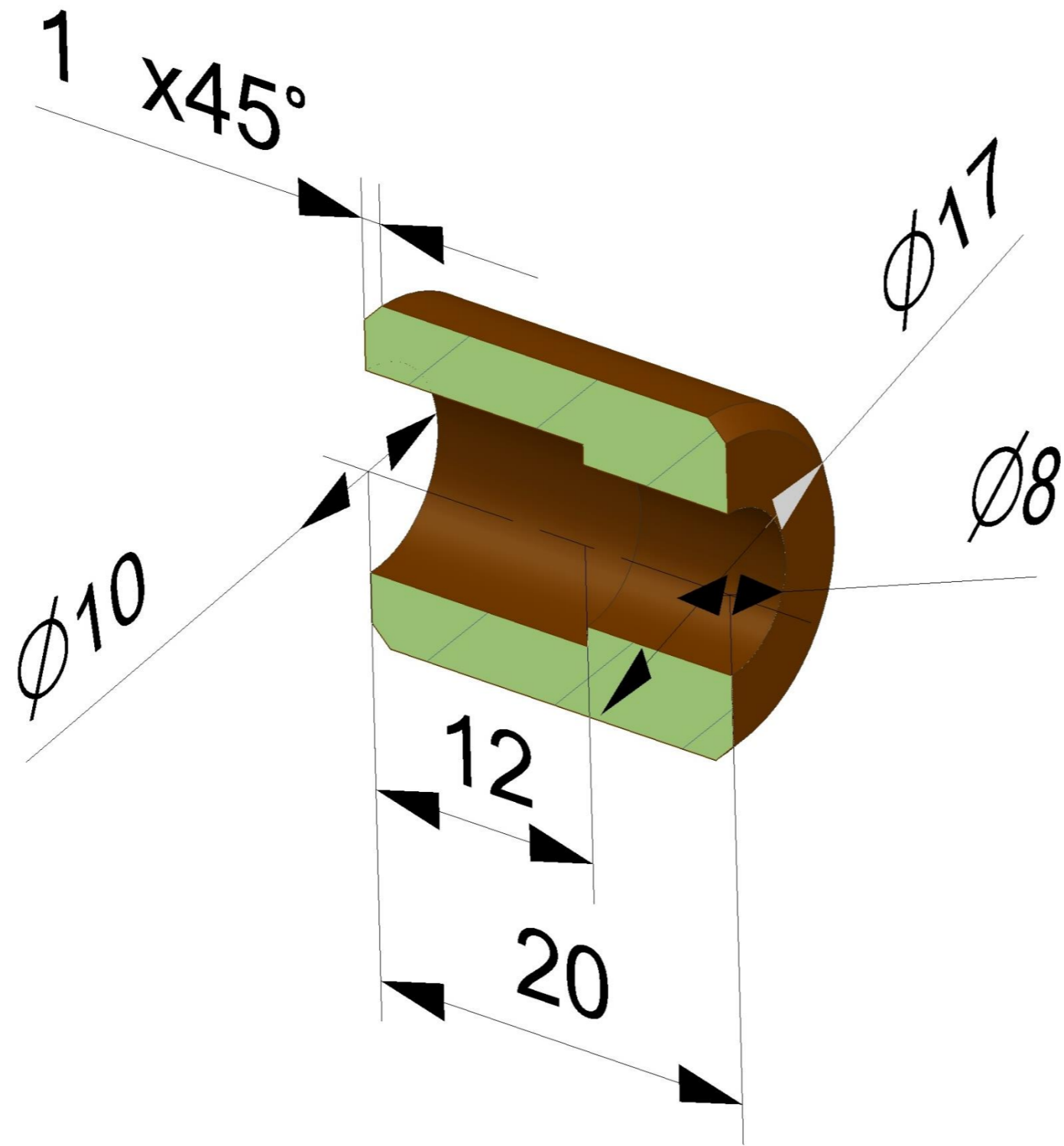


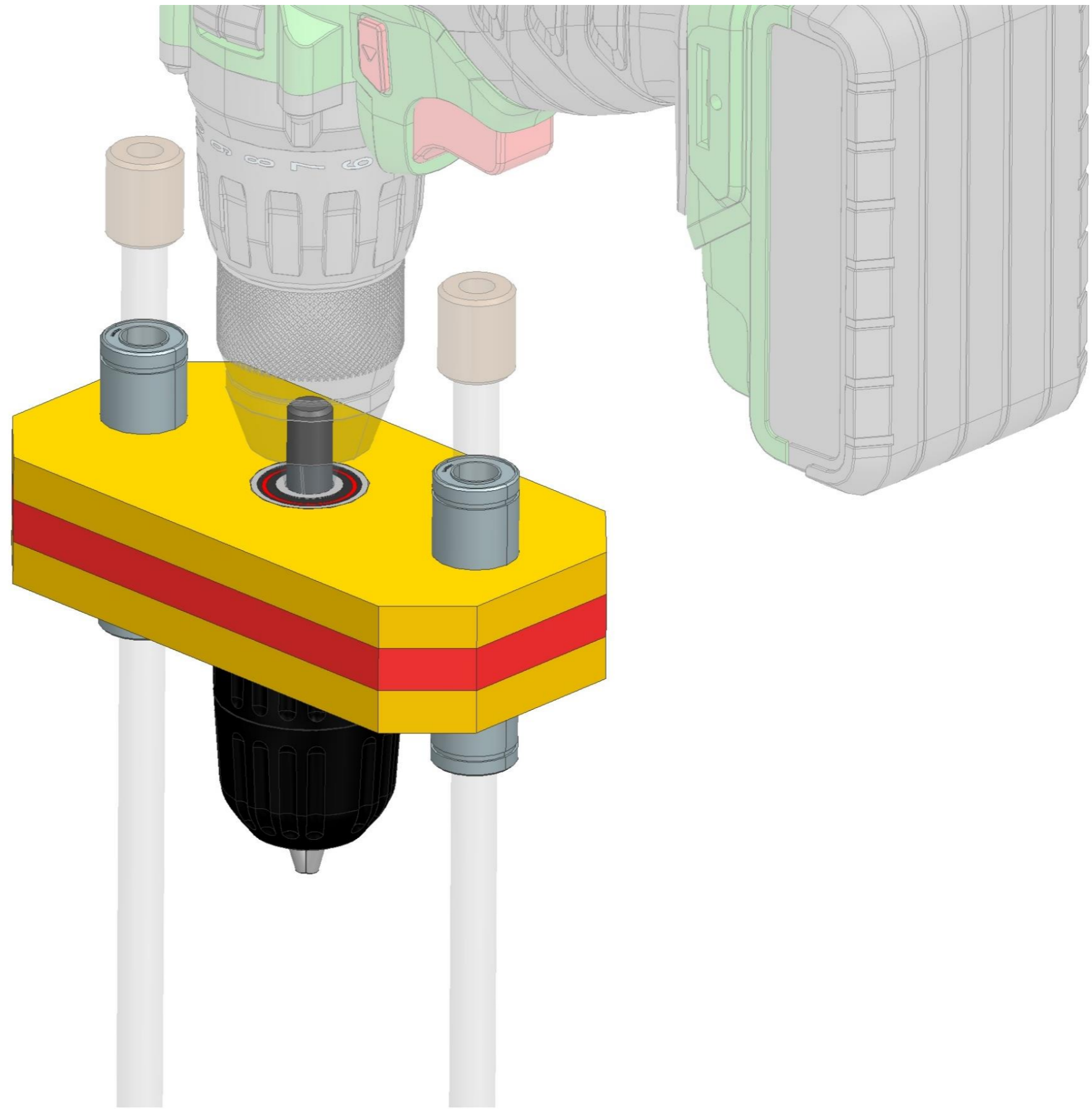


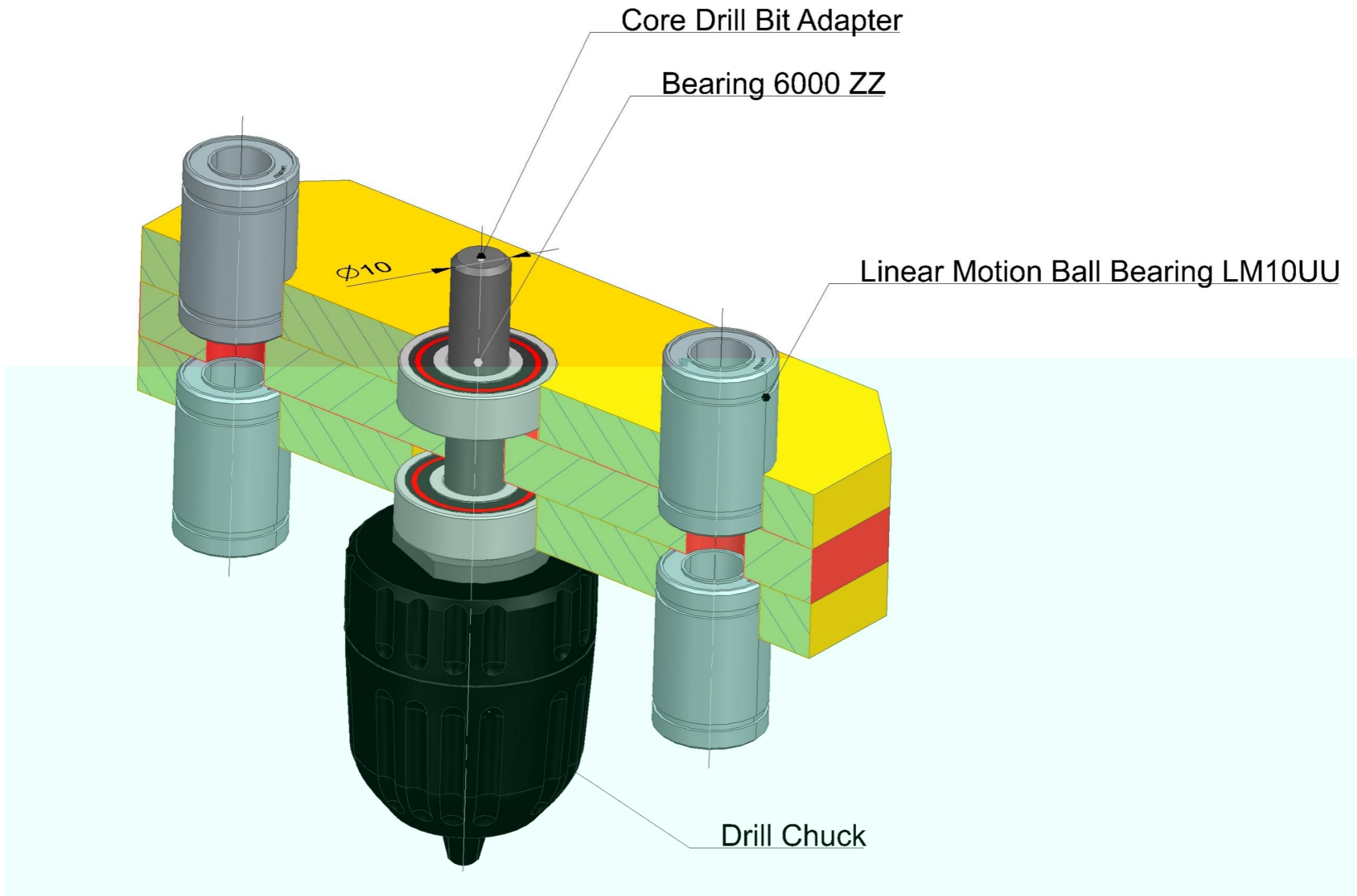
Materials:

[Linear Motion Rods 10 mm, L=300 mm](#) x 2

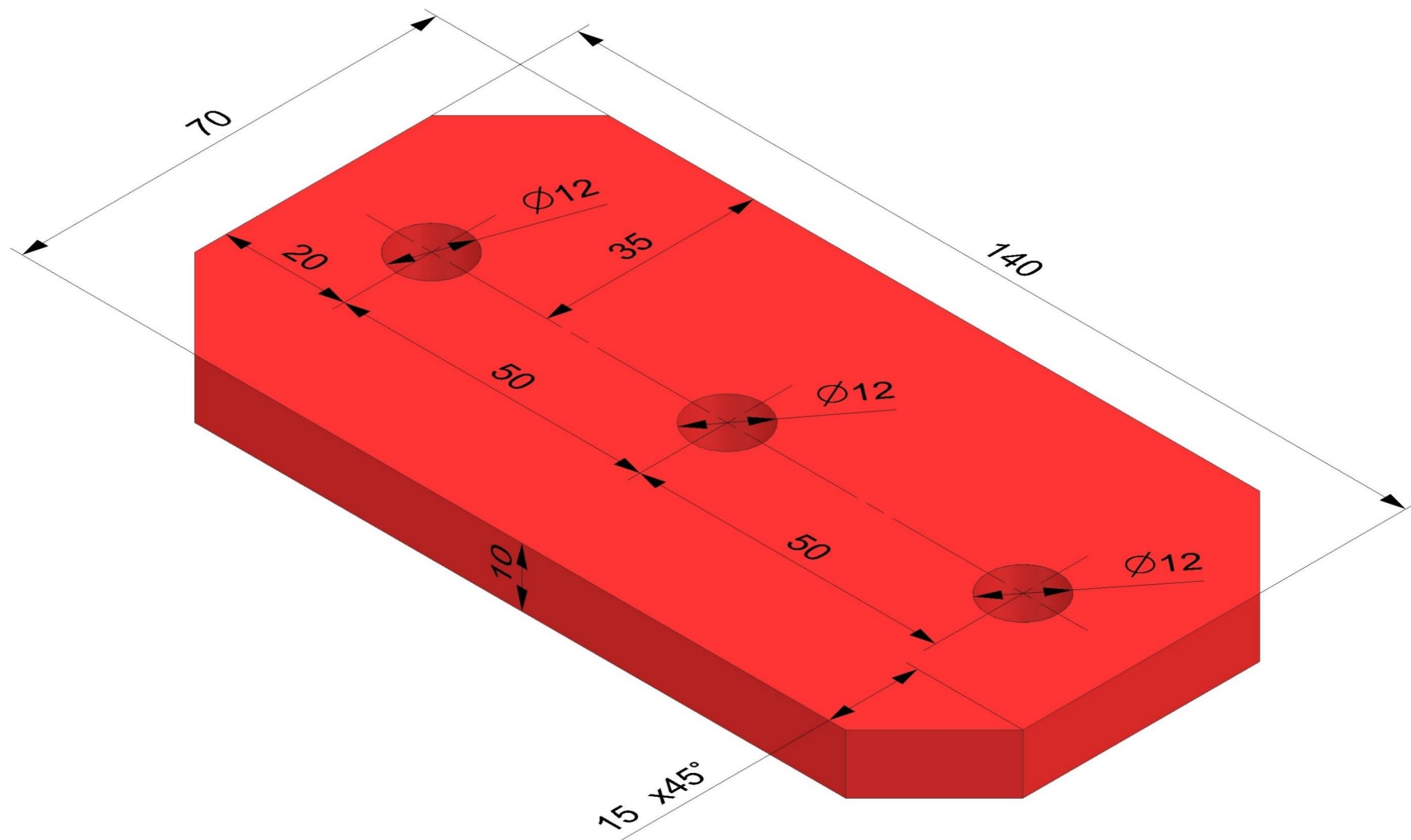


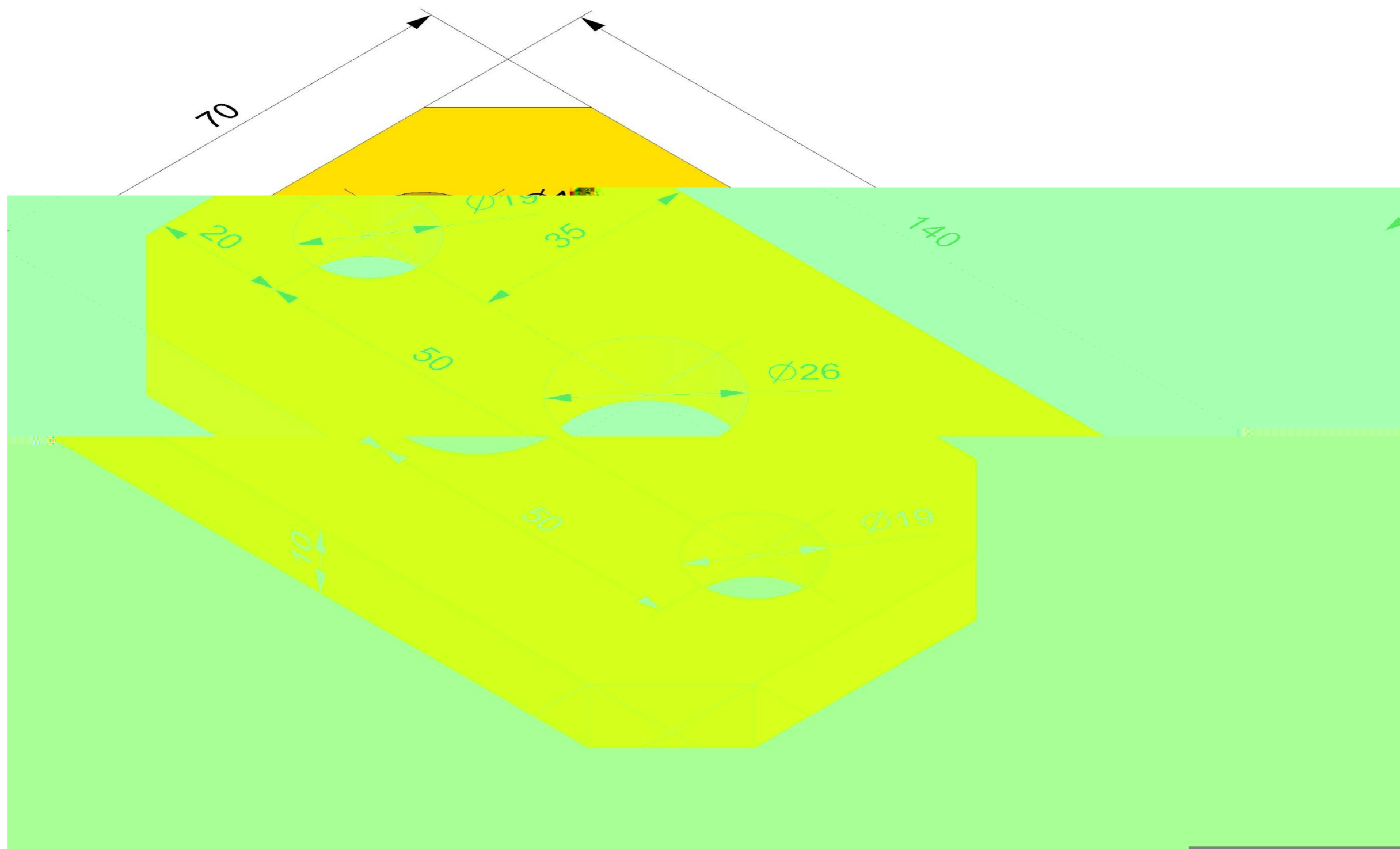






Materials:





All dimensions are in millimeters (mm)

